

901/902 HOLD OPEN ARM INSTALLATION INSTRUCTIONS

CHART TO INSTALLATION FOOT

FINAL ADJUSTMENT AND REGULATION PROCEDURES

Optional Hold-open arm. Identify direction of hold-open nut according to mounting.

FRICTION HOLD OPEN ARM

Optional Hold-open arm. Identify direction of hold-open nut according to mounting.

FRICTION HOLD OPEN ARM

REGULATING DOOR SPEED AND LATCHING SPEED

TURN SPEED REGULATING VALVE CLOCKWISE TO SLOW DOWN AND COUNTER-CLOCKWISE TO SPEED UP DOOR MOVEMENT.

REGULATING BACKCHECK

TURN BC REGULATING VALVE CLOCKWISE TO INCREASE OR COUNTER CLOCKWISE TO DECREASE

NEVER CLOSE THIS VALVE COMPLETELY.

POSTION OF ARMS AND INDEX SETTINGS

RIGHT HAND DOOR

30°

LEFT HAND DOOR

30°

CLOSING SPEED CONTROL

CAUTION
DO NOT BACK VALVES OUT OF CLOSER OR A LEAK WILL RESULT.

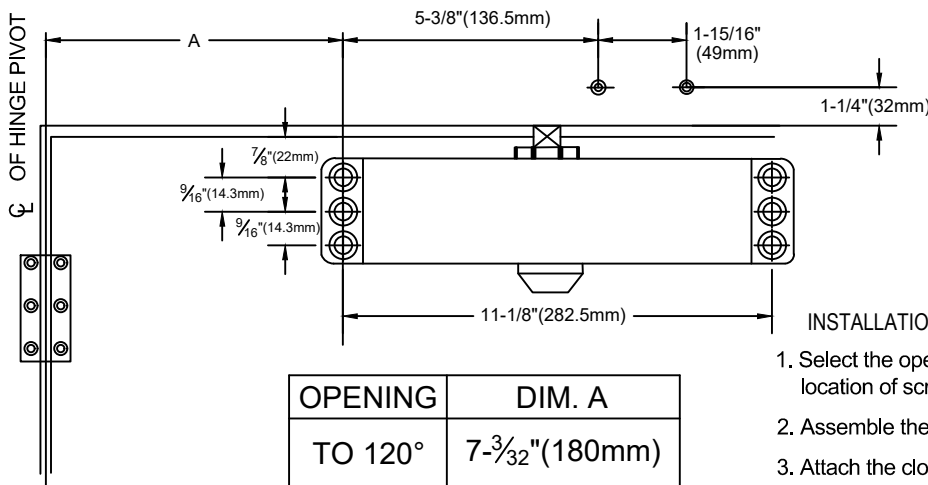
10°

STANDARD CLOSING CYCLE

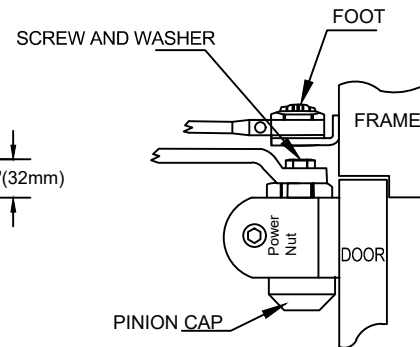
ATTENTION:
ADJUST CLOSING SPEED TIME TO BETWEEN 4 TO 6 SECONDS FROM 90° USE OF THE DOOR BY HANDICAPPED, ELDERLY OR SMALL CHILDREN MAY REQUIRE LONGER CLOSING TIME.

REGULAR ARM PULL SIDE INSTALLATION

- ◆ RIGHT HAND DOOR ILLUSTRATED. SAME DIMENSIONS APPLY TO LEFT HAND DOOR.
- ◆ DIMENSIONS MEASURED FROM HINGE CENTERLINE. DIMENSIONS ARE INCHES/MILLIMETER.
- ◆ DO NOT SCALE DRAWING.



DOOR / WALL / HARDWARE / JAMB CONDITIONS PERMITTING



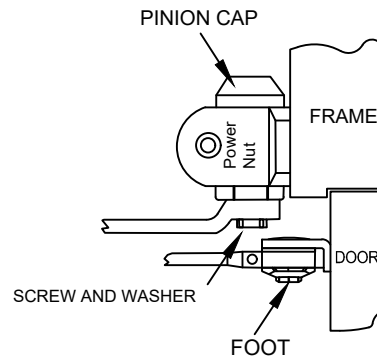
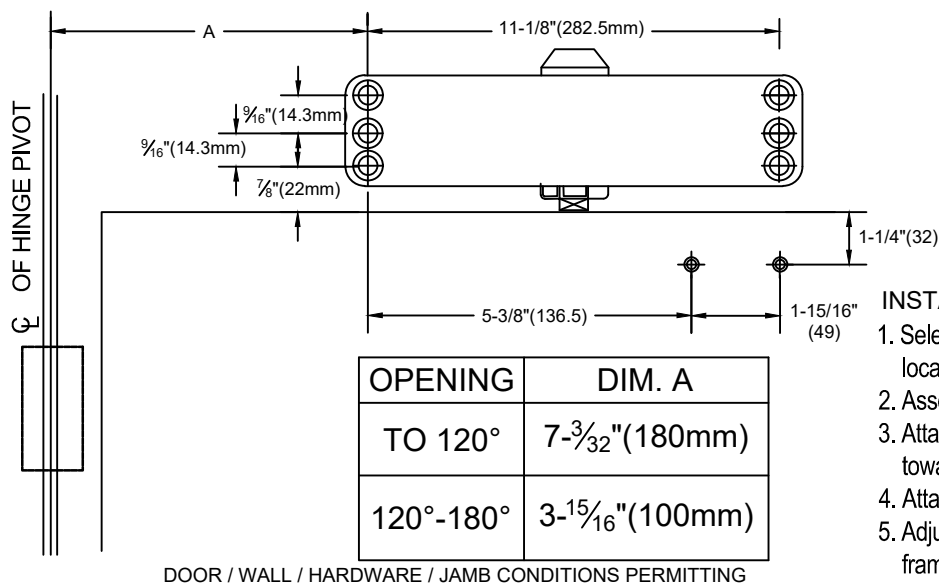
INSTALLATION INSTRUCTIONS:

1. Select the opening angle (degree) of the door. Use chart to mark location of screw holes on the door and frame. Prepare the holes.
2. Assemble the main arm to the closer.
3. Attach the closer to the door with the speed regulating valves facing towards the hinges.
4. Attach the foot of the forearm to the frame.
5. Adjust the length of the forearm so that it is at right angle to the frame when connected to the main arm. Tighten the screw of the forearm.
6. Place and snap the pinion cap over the spindle at the bottom of the closer.
7. Adjust the door closer.
8. TO HOLD THE DOOR OPEN. loosen the inner hex screw at the elbow of the forearm. Open the door to an angle you desire, then tighten the inner hex screw.

APPLICABLE DOOR WEIGHT 44 - 188 POUNDS

◆ PUSH SIDE TOP JAMB INSTALLATION

- ◆ LEFT HAND DOOR ILLUSTRATED. SAME DIMENSIONS APPLY TO LEFT HAND DOOR.
- ◆ DIMENSIONS MEASURED FROM HINGE CENTERLINE. DIMENSIONS ARE INCHES/ MILLIMETER.
- ◆ DO NOT SCALE DRAWING.

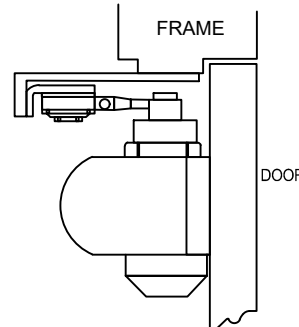
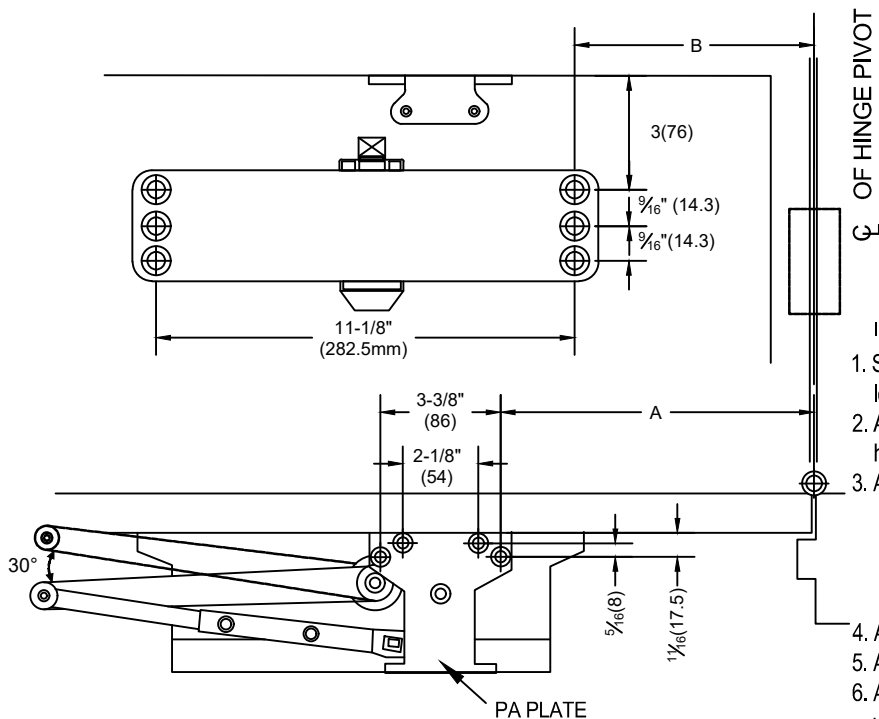


INSTALLATION INSTRUCTIONS:

1. Select the opening angle (degree) of the door. Use chart to mark location of screw holes on the door and frame. Prepare the holes.
2. Assemble the main arm to the closer.
3. Attach the closer to the frame with the speed regulating valves facing towards the hinges.
4. Attach the foot of the forearm to the door.
5. Adjust the length of the forearm so that it is at right angle to the frame when connected to the main arm. Tighten the screw of the forearm.
6. Place and snap the pinion cap over the spindle at the bottom of the closer.
7. Adjust the door closer.
8. TO HOLD THE DOOR OPEN. loosen the inner hex screw at the elbow of the forearm. Open the door to an angle you desire, then tighten the inner hex screw.

◆ PUSH SIDE PARALLEL ARM INSTALLATION

- ◆ RIGHT HAND DOOR ILLUSTRATED. SAME DIMENSIONS APPLY TO LEFT HAND DOOR.
- ◆ DIMENSIONS MEASURED FROM HINGE CENTERLINE. DIMENSIONS ARE INCHES/ MILLIMETER.
- ◆ DO NOT SCALE DRAWING.



INSTALLATION INSTRUCTIONS:

1. Select the opening angle (degree) of the door. Use chart to mark location of screw holes on the door and frame. Prepare the holes.
2. Attach closer to the door with speed regulating valves opposite to the hinges.
3. Attach main arm, with instruction as follows:
 - A) Place the open end wrench on bottom shaft and turn towards the hinges about 30°.
 - B) Place main arm on top shaft, insert arm screw into top of shaft then tighten.
4. Attach PA Plate to top frame as shown.
5. Attach foot of forearm to PA plate.
6. Adjust length of forearm to position main arm at parallel to frame when connected to main arm at elbow. Use washer and screw provided to secure pivot connection.
7. Place and snap the pinion cap over the spindle at the bottom of the closer.
8. TO HOLD THE DOOR OPEN. loosen the inner hex screw at the elbow of the forearm. Open the door to an angle you desire, then tighten the inner hex screw.