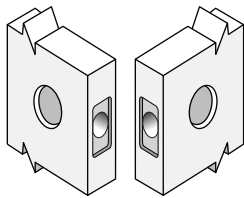
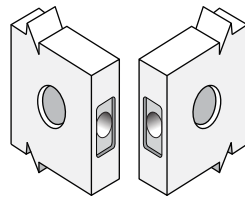


LEFT HANDED DOORS  
OUTSIDE INSIDE



RIGHT HANDED DOORS  
INSIDE OUTSIDE



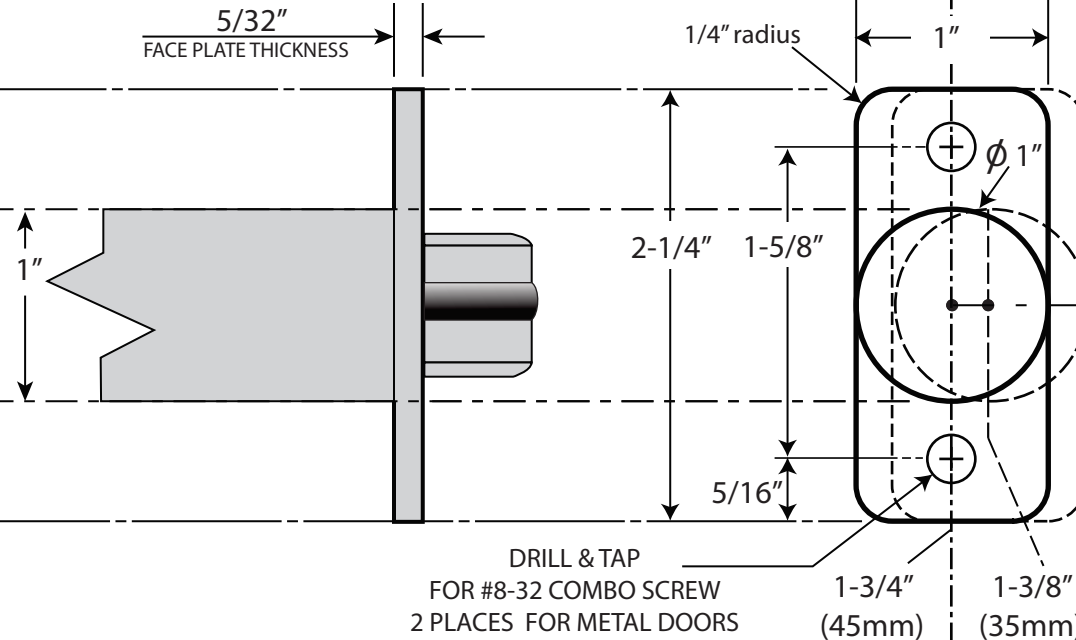
DRILL 1"(25mm) HOLE  
AT CENTER OF  
DOOR EDGE

FOLD ON DOOR EDGE  
FOLD ON DOOR EDGE



5/32"  
FACE PLATE THICKNESS

1/4" radius



∅ 2-1/8" (54mm) or 1-1/2"  
diameter hole can be used

BACKSET 2-3/8" (60mm)

BACKSET 2-3/4" (70mm)

DRILL & TAP  
FOR #8-32 COMBO SCREW  
2 PLACES FOR METAL DOORS

DOOR THICKNESS

### 1. MARK DOOR

- Fold and apply to high edge of door bevel and mark center of door edge as indicated on template at the desired height from the floor.
- Mark center hole on door face through guide on template for 2-3/8" (60mm) or 2-3/4" (70mm) backset.

### 2. DRILL HOLES

- Drill thru door face as marked for lockset. It is recommended that holes be drilled from both sides to prevent splitting. Hole size is 2-1/8" (54mm) for standard installations.
  - Drill 1" (25mm) hole in center of door edge thru 2-1/8" (54mm) hole for latch.
- CAUTION: Check center of latch hole for alignment with strike center on jamb to ensure free movement of latch bolt.



6605 Flotilla St.  
City of Commerce  
CA 90040 USA  
Tel: (323) 888-6601  
FAX: (323) 888-6699  
Website: cal-royal.com  
Email: sales@cal-royal.com

ITEM NO.

**ASP-05**

DESCRIPTION

CHELSIE SERIES  
RESIDENTIAL TUBULAR LOCKSET  
FUNCTION: STOREROOM

ANSI

Grade 3

SCALE

1 : 1

PAGE 1 OF 1

UNIT

inches  
(mm)

VERSION

ver. 1.0 rev. 01/12

BY: bteves