

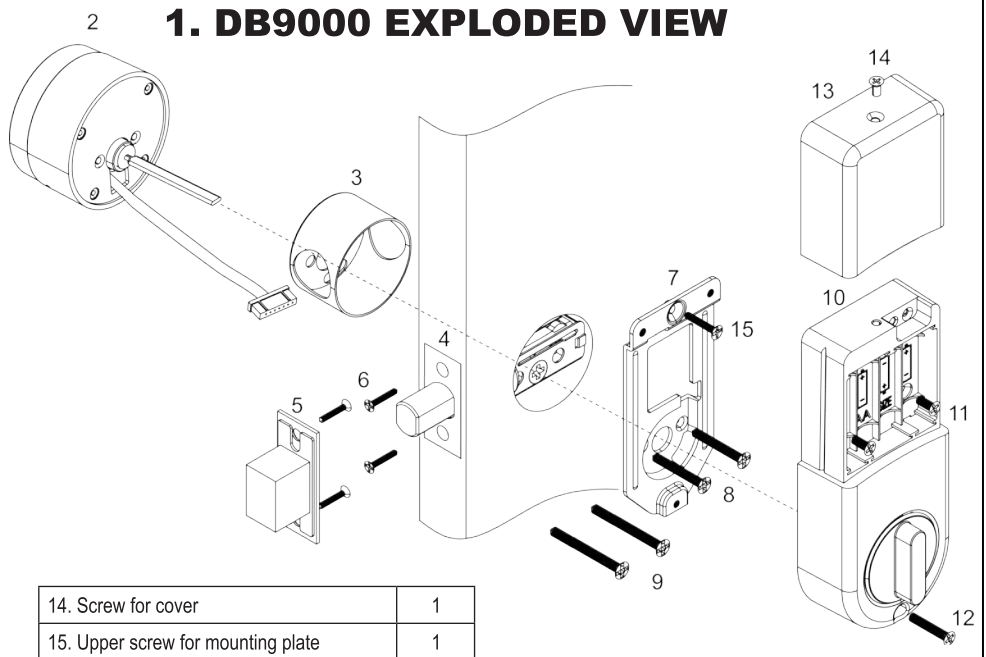
# DB9000

## Touchscreen Electronic Deadbolt Installation Instructions



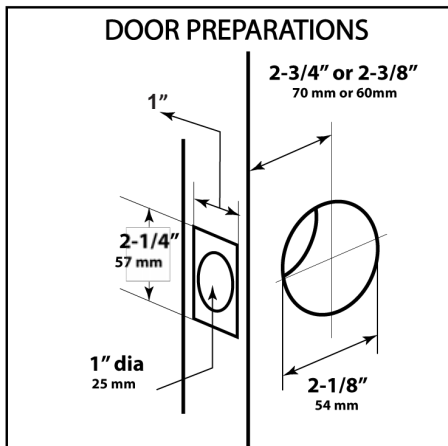
### 1. DB9000 EXPLODED VIEW

PARTS	PCS
1. Key	2
2. Exterior Assembly	1
3. Fire cup	1
4. Latch	1
5. Strike	1
6. Screws for latch and strike	4
7. Mounting plate	1
8. Mounting plate screws for 1-3/8" (35mm)	2
9. Mounting plate screws for 1-3/4" (45mm)	2
10. Interior assembly	1
11. Screws A for Interior assembly	2
12. Screws B for interior assembly	1
13. Battery cover	1



14. Screw for cover	1
15. Upper screw for mounting plate	1

### 2. DOOR PREPARATIONS



Before Installing:

1. Please read the instructions carefully to prevent missing important steps.  
\*Note: Improper installations may result in damage to the deadbolt which will void the factory warranty.
2. Please keep this Instruction Manual for future reference.
3. Contact dealer if particular installation is needed.

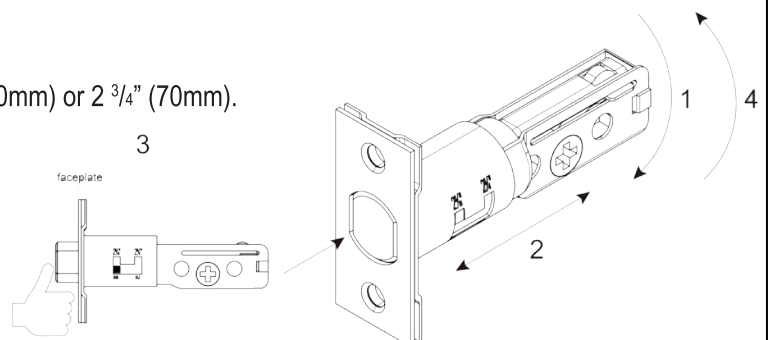
Check measurements on door:

- Thru hole 2 1/8" (54mm)
- Backset - 2-3/8" (60mm) or 2 3/4" (70mm)

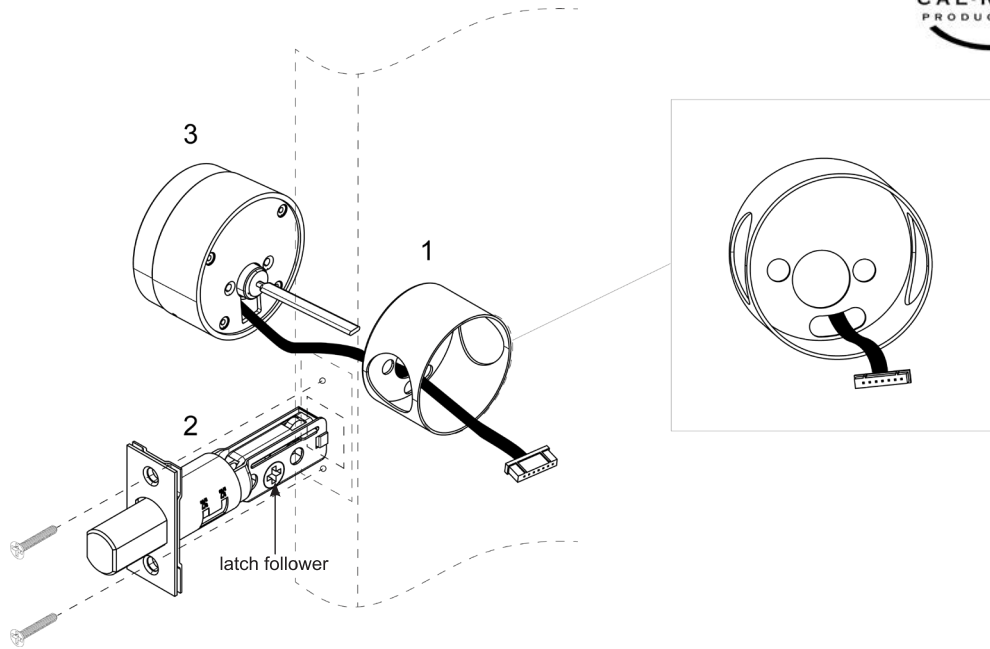
### 3. ADJUST LATCH ACCORDING TO BACKSET OF DOOR

Adjust latch to 2 3/8" (60mm) or 2 3/4" (70mm):

1. Turn the rear body.
2. Push or pull the rear body to adjust the backset to 2 3/8" (60mm) or 2 3/4" (70mm).
3. Press and hold the latch to align the faceplate.
4. Turn back the rear body to complete the latch setting.



## 4. INSTALL EXTERIOR ASSEMBLY

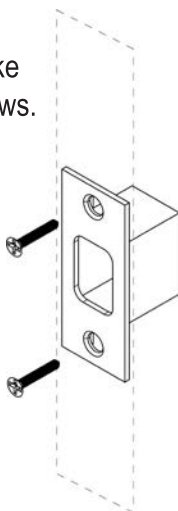


1. Installing the fire cup is optional. When installing the fire cup, the opening should face the inside of the door and the cable hole should be at the bottom.
2. Adjust latch to desired backset ( $2 \frac{3}{8}$ " or  $2 \frac{3}{4}$ "). Install the latch and fasten with 2 screws.
3. Install exterior assembly. Insert spindle into the latch follower (the spindle should be horizontal) through the center hole of the fire cup and the latch follower. The cable should go underneath the latch.
4. Test if the latch bolt fully extends and retracts and leave the latch in extended position.

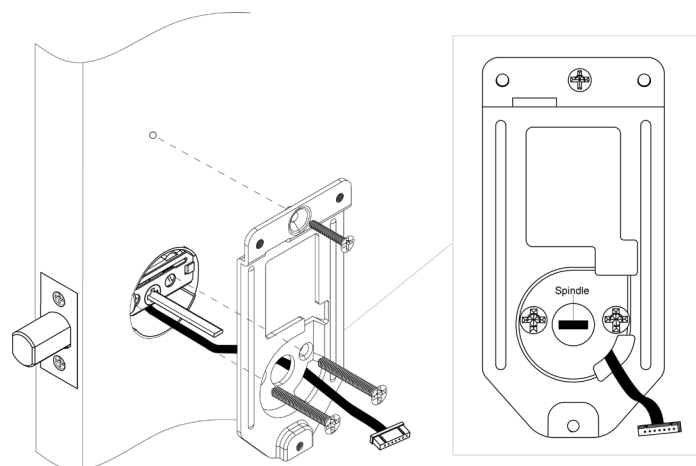
**Important:** After installing the exterior assembly, the spindle should be in horizontal position when the latch is fully extended.

## 5. INSTALL STRIKE

1. Fasten strike with 2 screws.

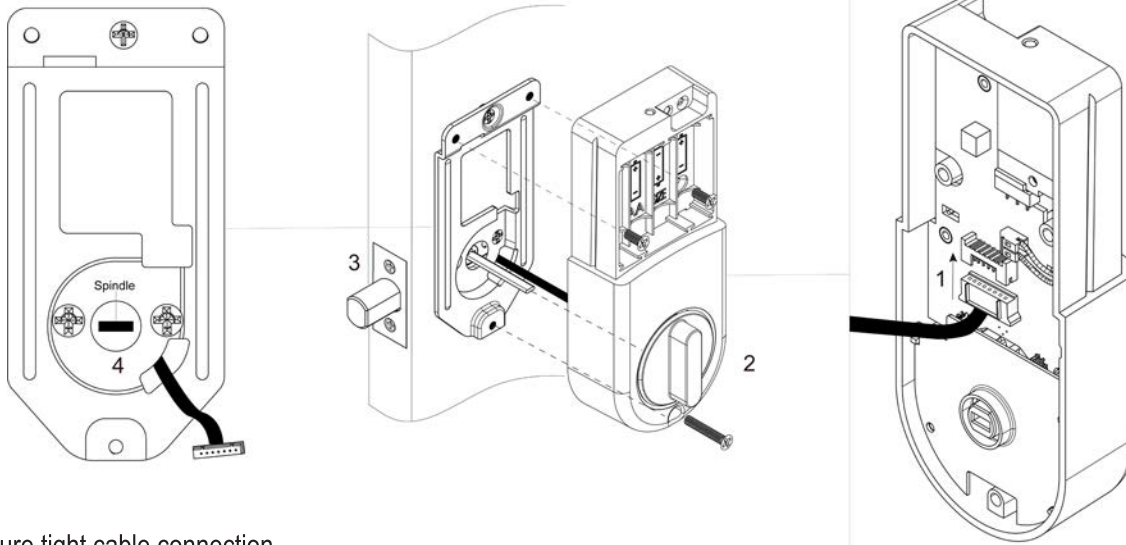


## 6. INSTALL MOUNTING PLATE



1. Route the cable through the hole, as shown in the illustration.
2. Determine mounting plate screws according to door thickness.
3. Fix the mounting plate with 2 lower screws through the bolt hole to exterior assembly.
4. Secure mounting plate to door using upper screw.

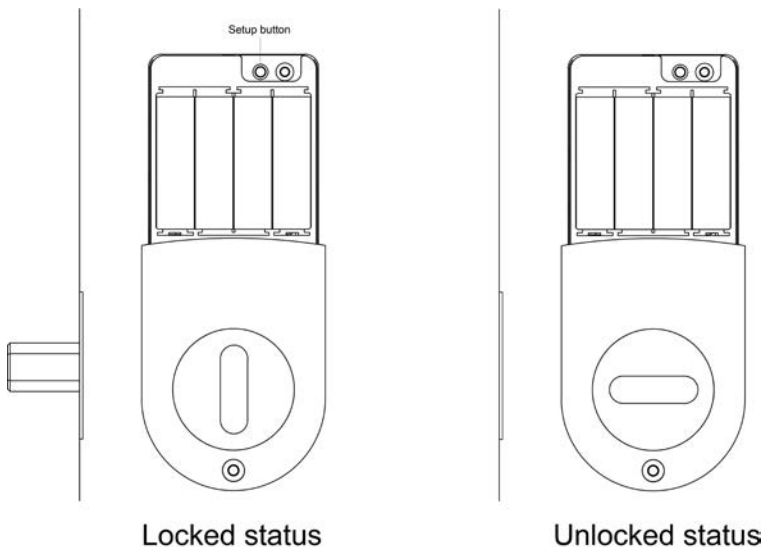
## 7. INSTALL INTERIOR ASSEMBLY



1. Ensure tight cable connection.
2. The thumbturn should be in vertical position.
3. The latch bolt should be fully extended.
4. Make sure the spindle is horizontal and positioned at the center of the mounting plate hole.
5. Install interior assembly with 3 screws. When pushing the interior assembly onto the mounting plate, tuck the cable into the thru hole and away from the spindle to avoid cable damaging the cables whenever the spindle turns.
6. The thumbturn might not rotate smoothly until steps of door handing process are complete.

**Important:**  
**After installing the interior assembly, the thumbturn should be in vertical position when the latch is fully extended.**

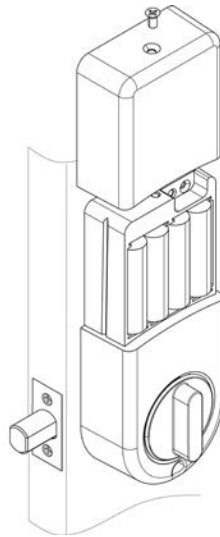
## 8. DOOR HANDING PROCESS



1. Place 4 batteries in the battery pack.
2. After initial beeps, press and hold the setup button until you hear 4 consecutive beeps.
3. The lock will start to learn whether the door is right handed or left handed. The motor will drive the latch locked/unlocked several times in the learning process.
4. If the lock finished L/R learning successfully, it will beep and flash green once.
5. If the lock fails to learn the left/right information, it will beep and flash red 3 times. Please re-install the lock correct and re-try learning from step 1.

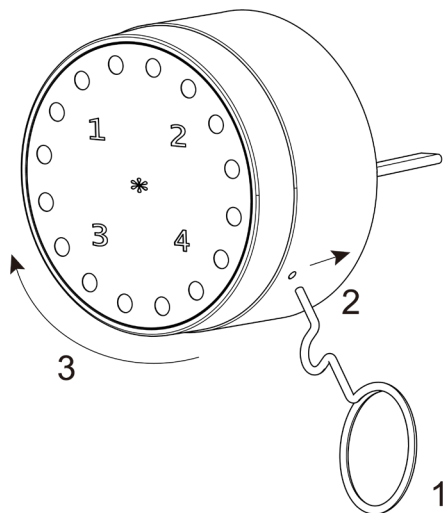
**Important:** *The latch should always be extended when the thumbturn is vertical, and should always be retracted when the thumbturn is horizontal.*

## 9. SLIDE DOWN BATTERY COVER

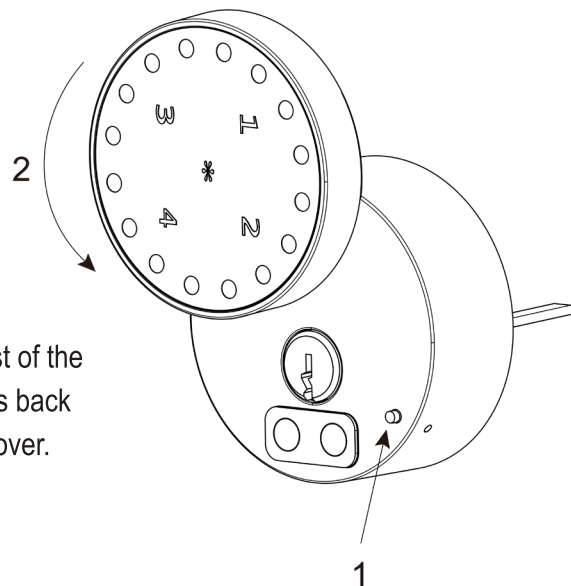


## HOW TO TURN THE DEADBOLT FRONT COVER

To use the key override or emergency 9V battery port, the front cover of the deadbolt needs to be turned.



1. Insert tip of pen/sharp point or pin provided in the box into side hole.
2. Push the pin toward door and hold it.
3. Turn the cover off to reveal keyway and 9v emergency power contact.



1. Press down the locking pin with your finger.
2. Turn the front cover back until it aligns with the rest of the deadbolt. The locking pin should click when it pops back up and snaps into the hole behind the front face cover.