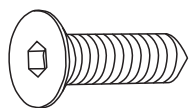
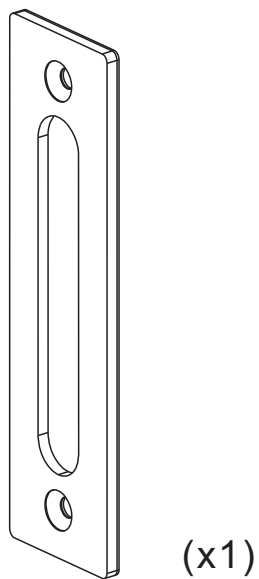
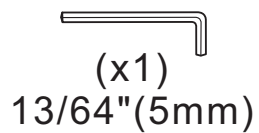


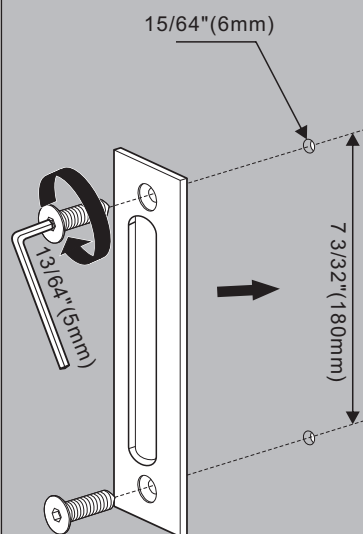
Installation Manual for FFP-250



(x1)
M8x30mm



1



2

