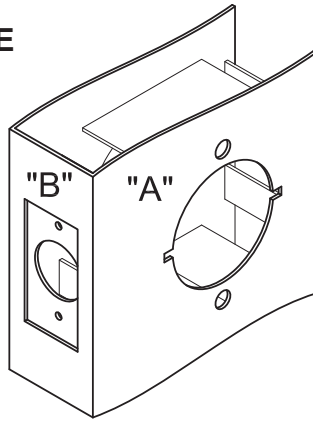
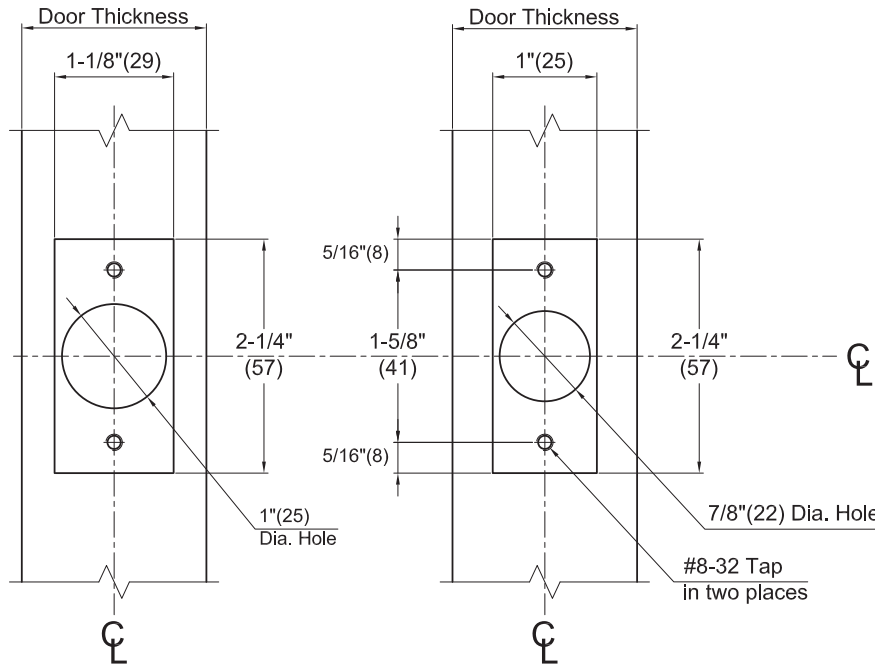
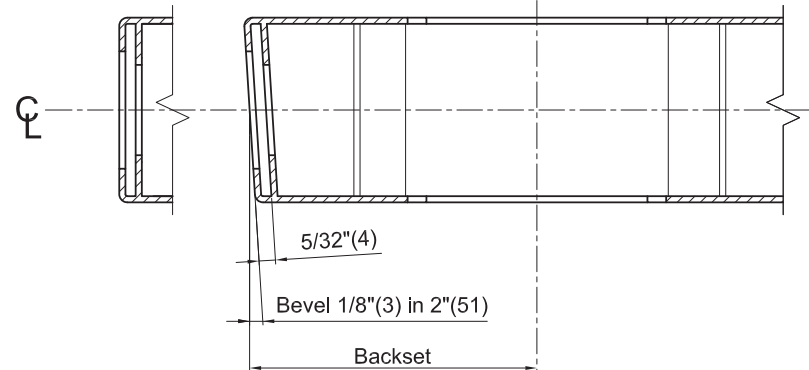


* For metal door installations, suitable reinforcement is required to support to support latch in center of door and prevent lateral movement.

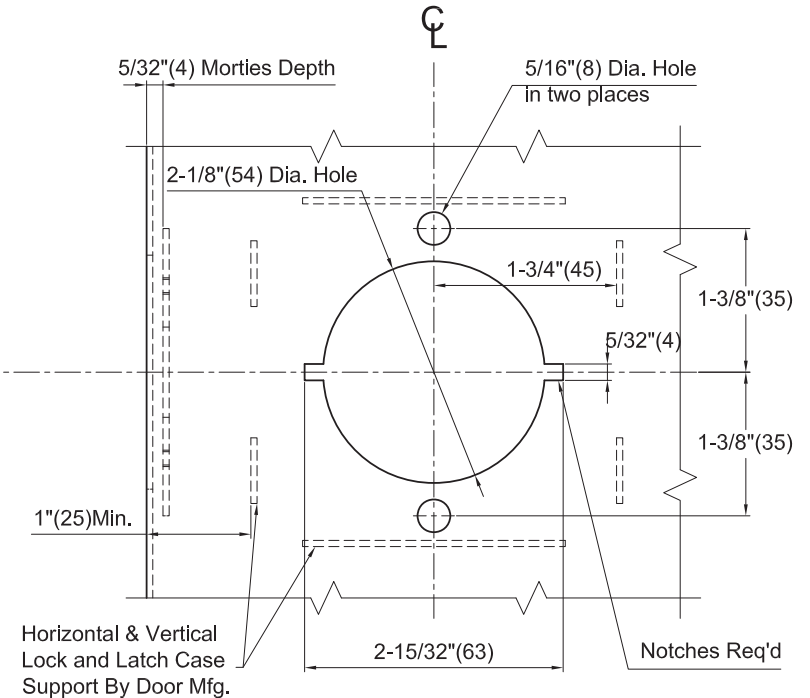
NOT TO SCALE



Flat or Beveled Edge Detail



Door Edge Detail "B"



Door Face Detail "A"

All dimensions are given in inches(mm). Dimensions shown in parentheses () are in millimeters.

Door Type :	Metal, Flat or Beveled
Door Thickness :	1-3/8"(35mm) ~ 1-3/4"(44mm)
Faceplate :	1"(25mm) wide or 1-1/8"(29mm) wide, Square Corner
Backsets :	2-3/8"(60mm), 2-3/4"(70mm)

GN-Series
Lever Handle Cylindrical Locks
Metal Door Preparation

CAL-ROYAL
PRODUCTS, INC.
Website: cal-royal.com • Email: sales@cal-royal.com
Template Number