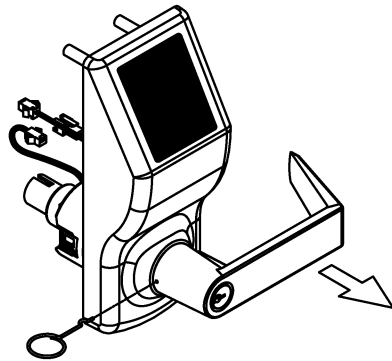


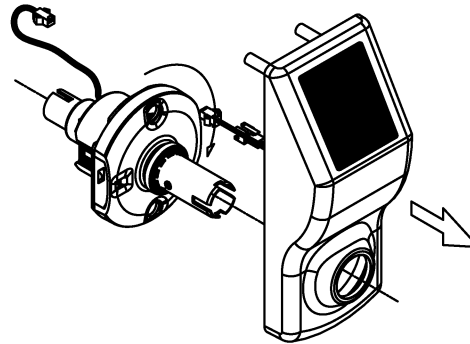
HOW TO REVERSE THE HANDING OF CAL-ROYAL PL7100

1. Insert the long end of the lever removal tool in the hole on the side of the outside lever(see illustration below). While depressing the tool, turn key clockwise and pull lever off.

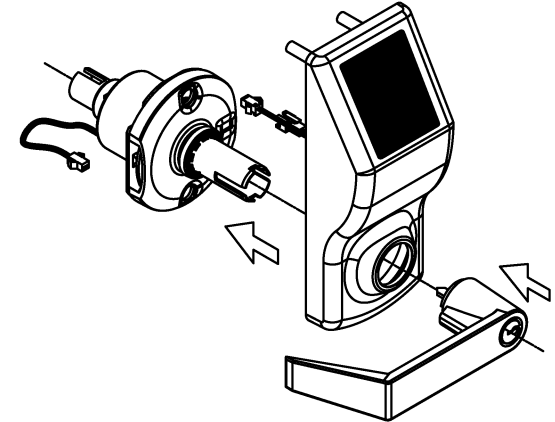


OUTSIDE LEVER

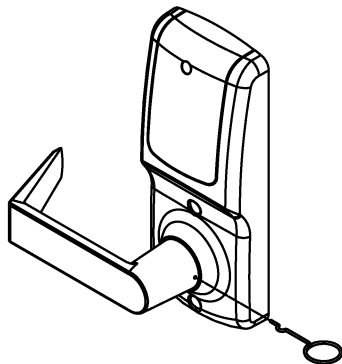
2. Turn rose and chassis 180° for opposite hand of door.



3. Fit lever to desired handing position at 90°
4. Turn key clockwise and push lever on fully until positive engagement 'click' is felt
5. Make sure outside lever is securely

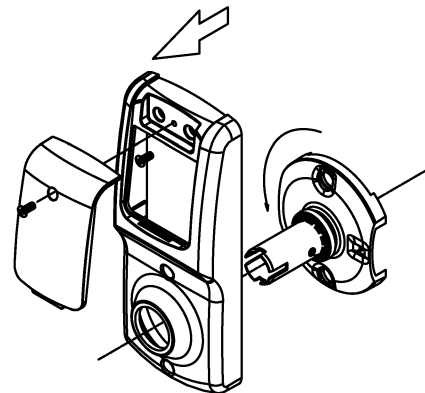


1. Insert the long end of the lever removal tool in the hole on the side of the inside lever (see illustration below), and pull off lever.



INSIDE LEVER

2. Turn rose and chassis 180° opposite hand of door



3. Fit lever to desired handing position at 90°
4. Push inside lever on fully until positive engagement 'click' is felt.
5. Make sure inside lever is securely engaged with the spindle.

