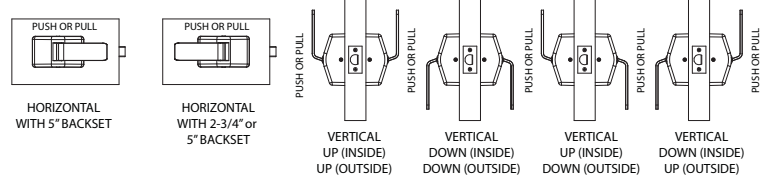


1	COVER	6	HANDLE LOCK SCREW
2	HANDLE	7	1/4-20 X 2-1/2" PAN HD. M.S. (4)
3	CAM SHAFT	8	#8 x 3/4" PH. FL. HD. W.S. (2)
4	CAM SHAFT LEVER	9	1/4-20 HEX LOCK NUT (4)
5	MAIN HOUSING	10	LATCHES



INSTALLATION INSTRUCTIONS

1. First determine if trim is to be mounted with handles positioned horizontally or vertically.
2. Prep door according to latch backset - see backset template.
3. Install the preselected latch using either wood or machine screws depending on door type.
4. Assemble trim.
 - 4a) For trims mounted vertically, determine if handle is positioned upwards or downwards, and if it is to unlock the door by pulling or pushing the handle. See next table for configuration.
 - 4b) For trims mounted horizontally, determine if tip of handle is positioned to the left or right, and if it is to unlock the door by pulling or pushing the handle. See next table for configuration.

HANDLE POSITION	ACTION	HANDLE LOCK SCREW POSITION	HANDING
UP (TIP OF HANDLE FACING UP)	PUSH	TOP	LH, RH
DOWN (TIP OF HANDLE FACING DOWN)	PULL	TOP	LHR, RHR
UP (TIP OF HANDLE FACING UP)	PULL	BOTTOM	LHR, RHR
DOWN (TIP OF HANDLE FACING DOWN)	PUSH	BOTTOM	LH, RH
RIGHT (TIP OF HANDLE FACING RIGHT)	PUSH	RIGHT	RH
LEFT (TIP OF HANDLE FACING LEFT)	PULL	RIGHT	RHR (use 5" BS only)
RIGHT (TIP OF HANDLE FACING RIGHT)	PULL	LEFT	LHR (use 5" BS only)
LEFT (TIP OF HANDLE FACING LEFT)	PUSH	LEFT	LH

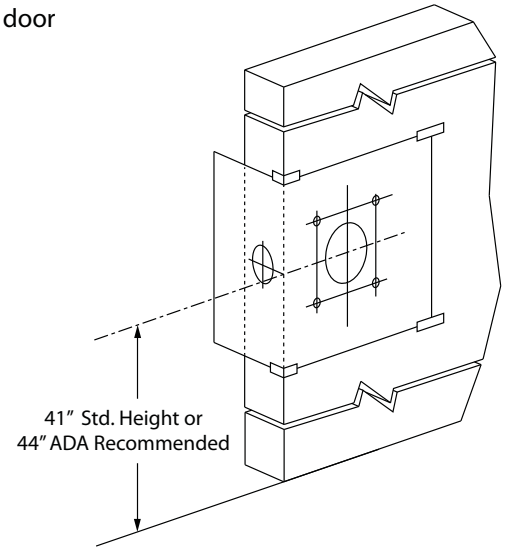
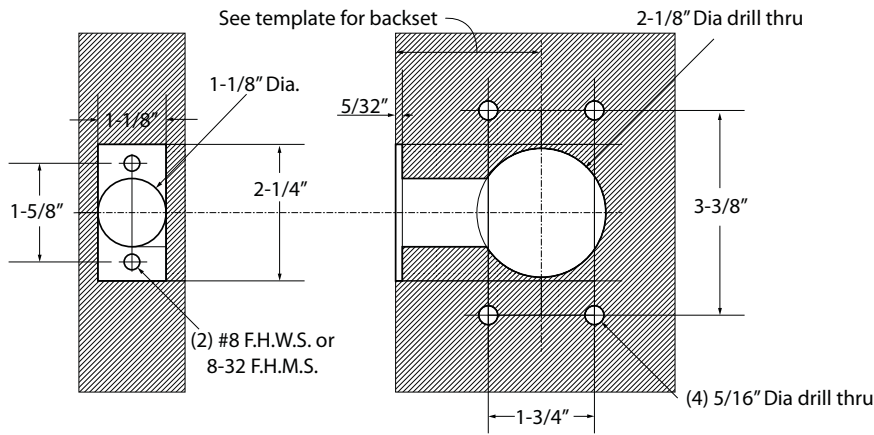
5. Insert cam shaft through the latch.
6. Position both the inside and outside main housing in place while carefully aligning the cam shaft lever.
7. Bolt both the main housing using the supplied screws (1/4-20 X 2-1/2" Panhead, 4 places)
8. Install the covers.

DOOR PREP:

1. Install door
2. Locate horizontal centerline on door

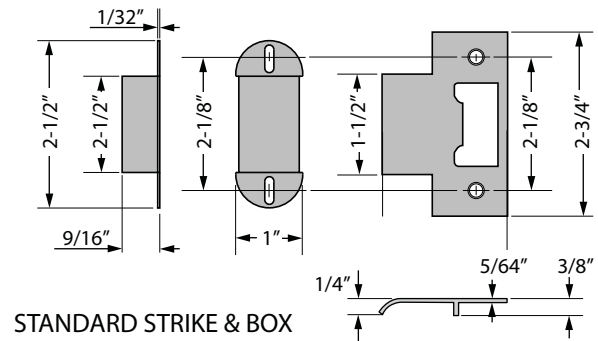
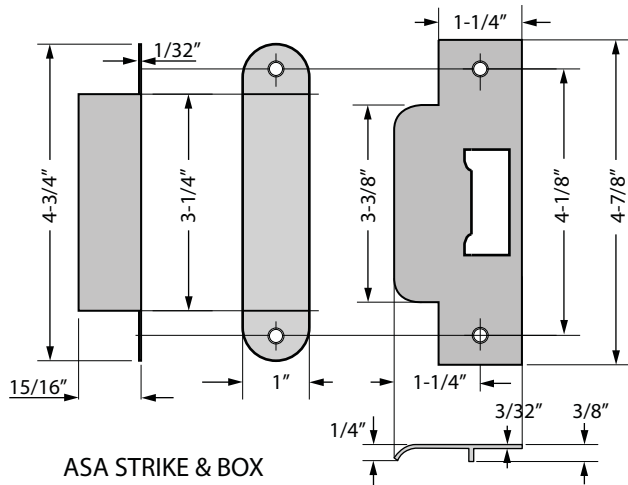
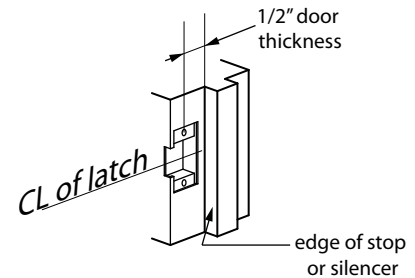
3. Determine if installation is horizontal or vertical

4. Verify backset to be used (2-3/4" or 5")
5. Tape paper template to door



FRAME PREP:

1. Mark center line of latchbolt on frame
2. Center strike then mark screw points
3. Mortise to required strike and box depth



LATCH/HANDLE ASSEMBLY:

1. Install latch bolt
2. Sliding side of latch bolt must face push side of door
3. Align cam shaft lever on both the push and pull side of the door
4. Install and tighten screws (supplied)

