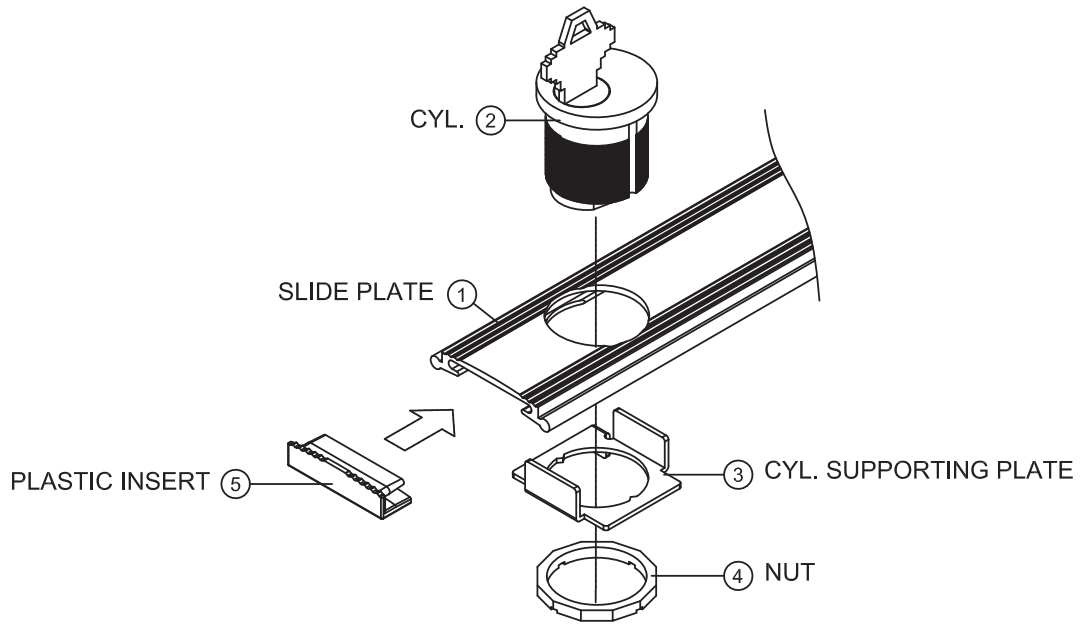
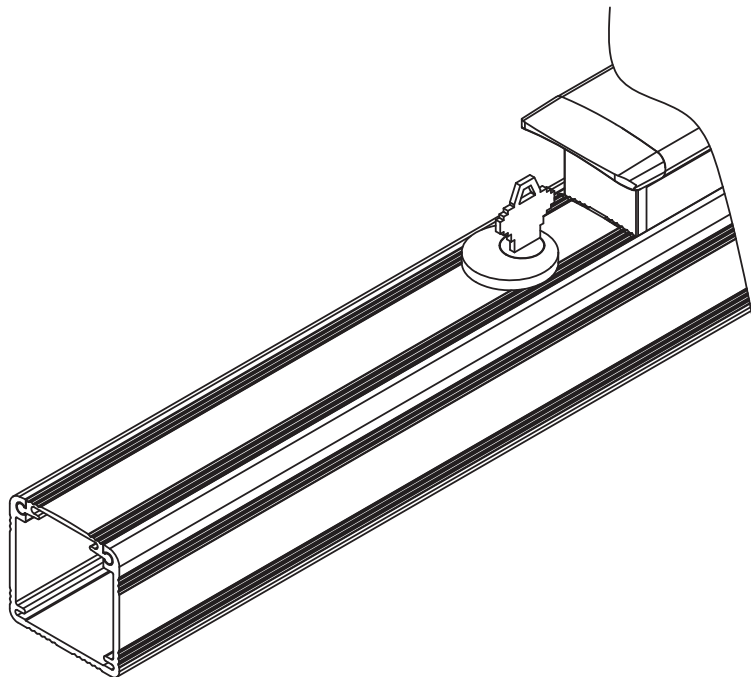


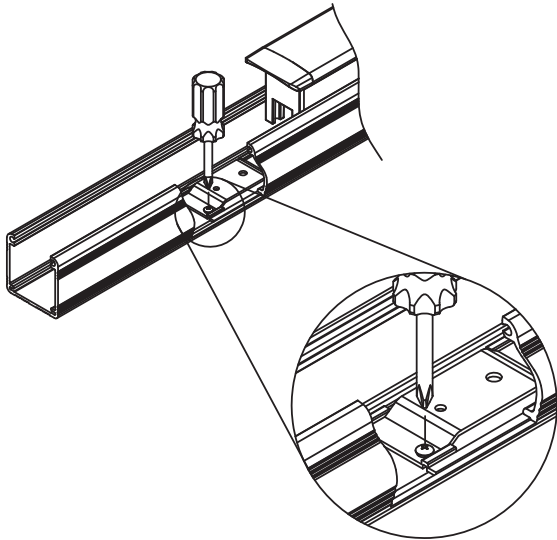
CYLINDER DOGGING KIT EXPLODED VIEW



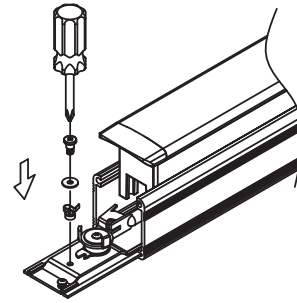
CYLINDER DOGGING KIT ASSEMBLED



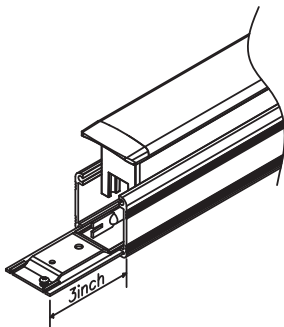
1. UNFASTEN THE SCREW THAT SECURES THE DOGGING KIT.



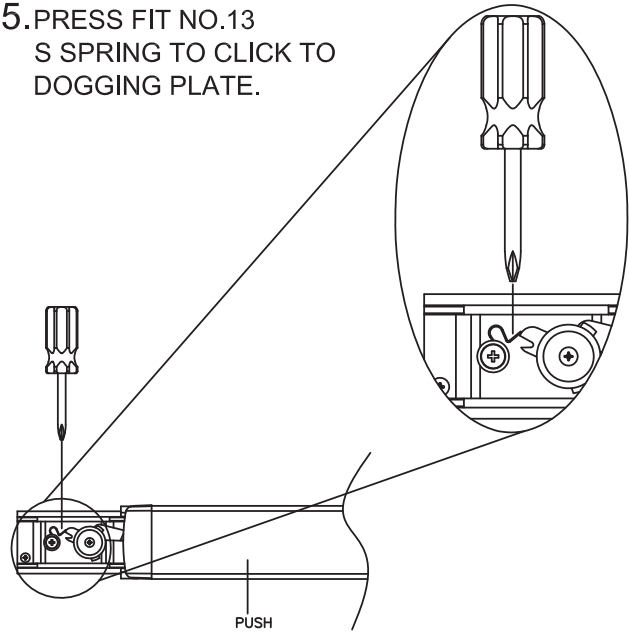
4. PLACE NO.12 SPRING, NO.11 WASHER, AND SECURE BY NO.10 BOLT.



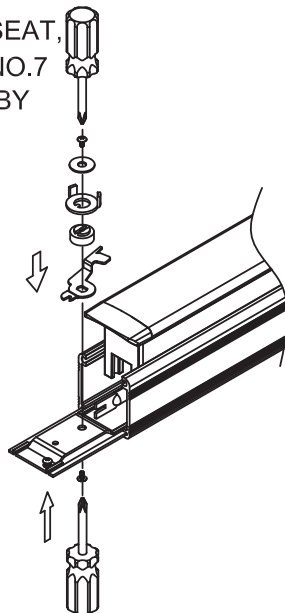
2. SLIDE OUT THE DOGGING KIT 3" OUT OF MOUNTING RAIL.



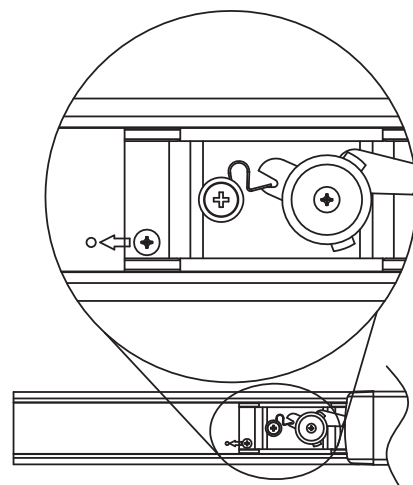
5. PRESS FIT NO.13 S SPRING TO CLICK TO DOGGING PLATE.



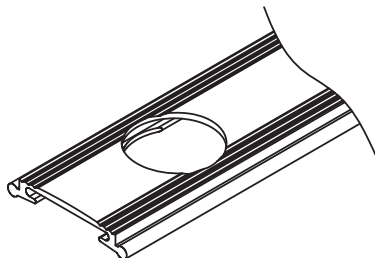
3. PLACE NO.13 DOGGING PLATE, NO.9 SECURED SEAT, NO.8 TURN PLATE AND NO.7 WASHER, AND SECURE BY NO.6 SCREW.



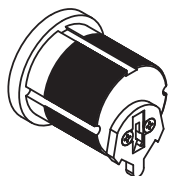
6. RE-SECURE THE CYLINDER DOGGING KIT TO THE MOUNTING RAIL.



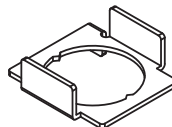
PARTS NUMBER



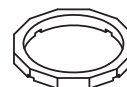
① SLIDE PLATE



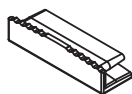
② CYLINDER



③ CYLINDER SUPPORTING PLATE



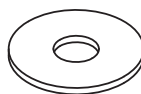
④ NUT



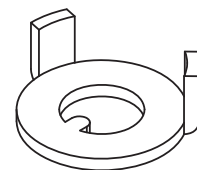
⑤ PLASTIC INSERT



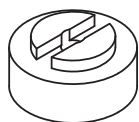
⑥ SCREWS



⑦ WASHER



⑧ TURN PLATE



⑨ SECURED SEAT



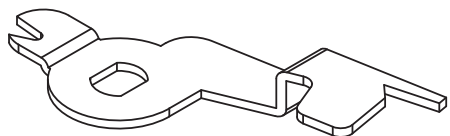
⑩ FASTENER FOR S SPRING



⑪ WASHER FOR S SPRING



⑫ S SPRING

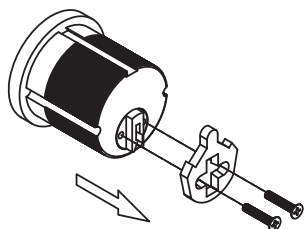
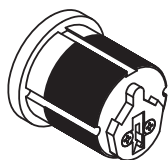


⑬ DOGGING PLATE

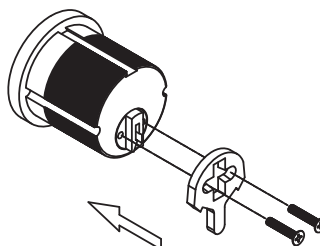


⑭ CAM

CAM ASSEMBLY



UNSCREW SHORT CAM



RE-SCREW LONG CAM

