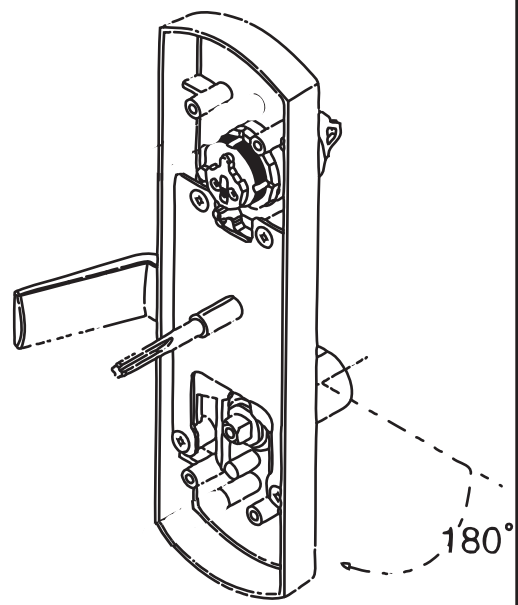


ESC Lever Trim for 7700/7700V Series

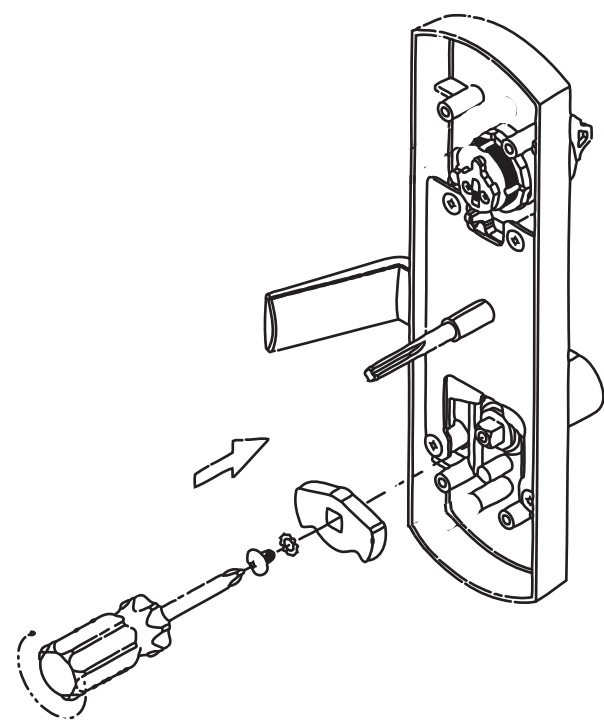
Instructions for reversing hand of lever, RHR



1. Rotate lever to RHR positioned at 180 degrees



2. Place and fasten cam piece with locked type washer and screw



3. Done

