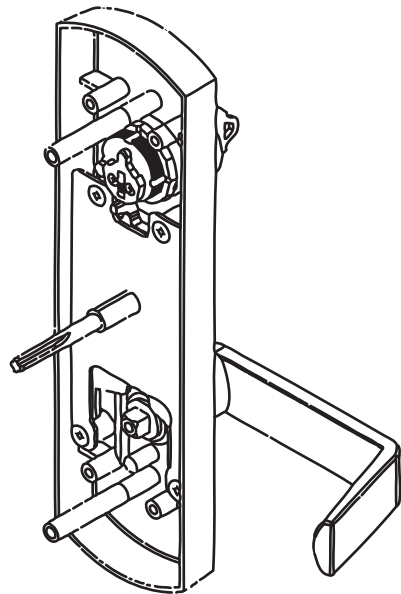


NESC Lever Trim for 9900/9900V Series

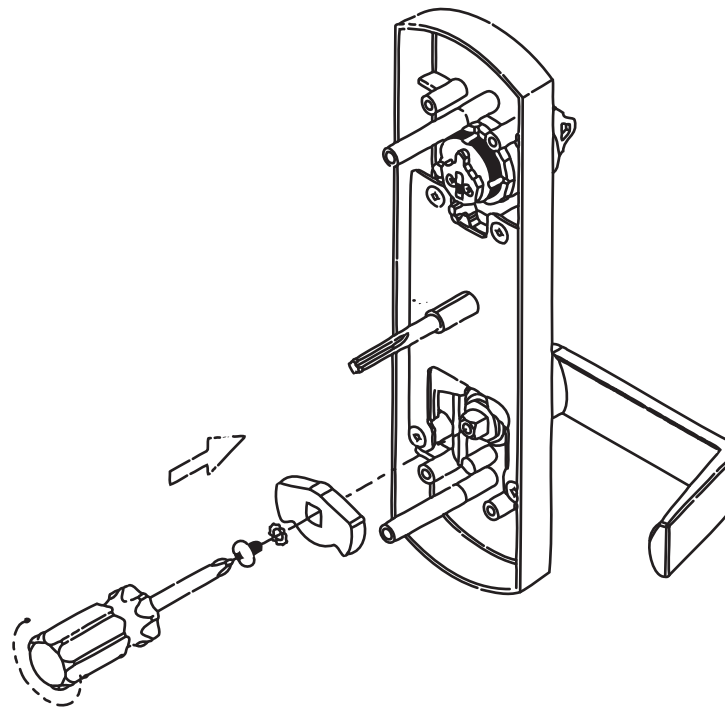


Instructions for reversing hand of lever, LHR

1. Rotate lever to LHR positioned at 90 degrees



2. Place and fasten cam piece with locked type washer and screw



3. Done

