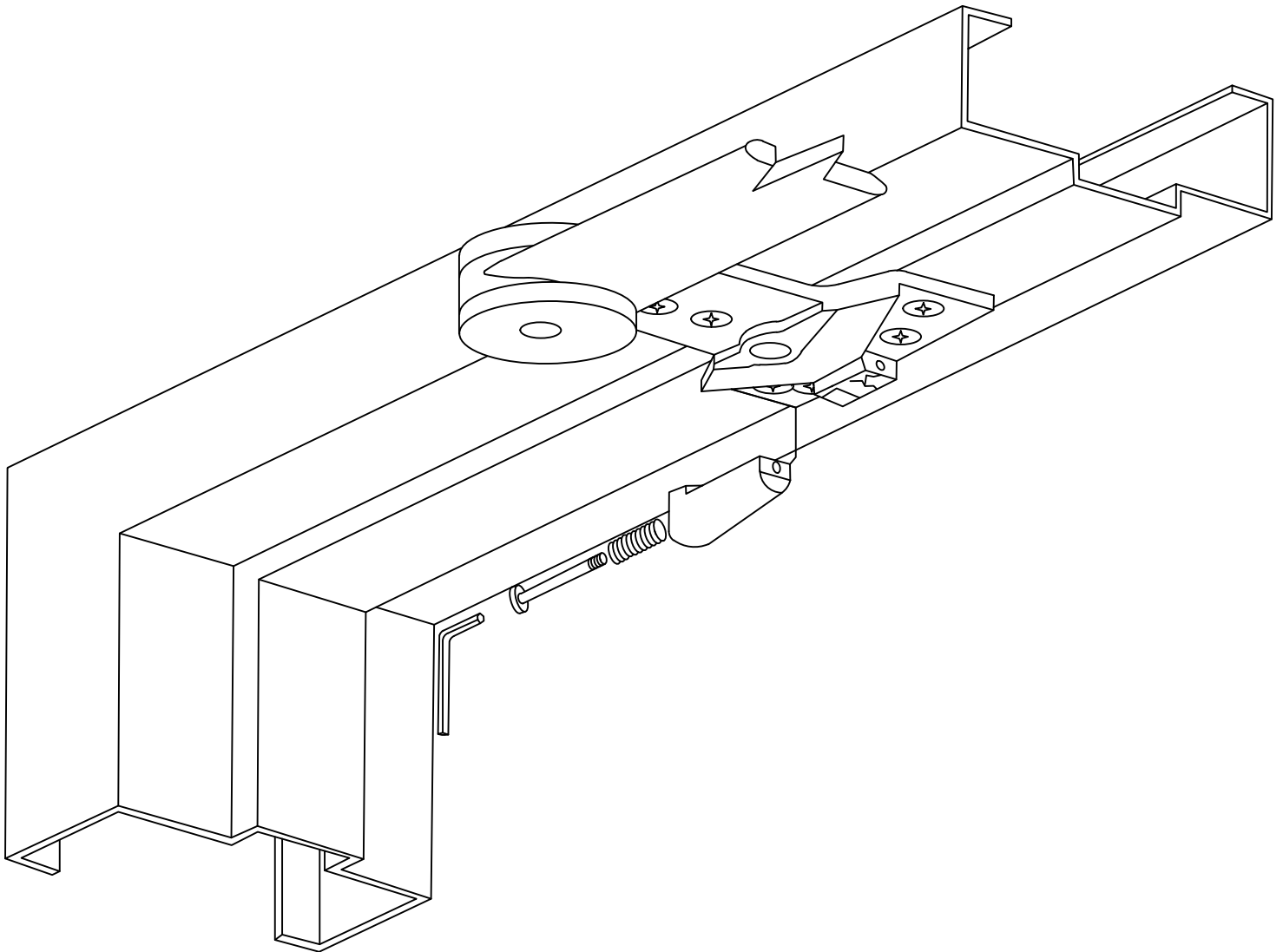


CR801 SERIES DOOR CLOSER WITH SPRING CUSH ARM INSTALLATION INSTRUCTIONS 900SPRING / 900HOSPRING



1. Please follow the installation instruction on page 1-3. The shoe must be mounted at first stage.
2. insert the bolt to the shoe from the rear, with the spring properly inserted to the bolt.
3. Align the shoe to the bracket with correct position (left or right) corresponding to the door handing, Illustration shows left handing.
4. Tighten the screw using the supplied 5/32" (4mm) hexagonal wrench.

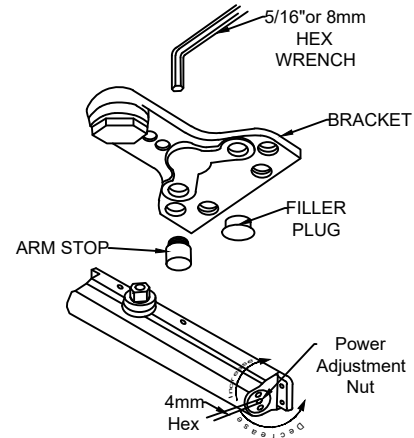
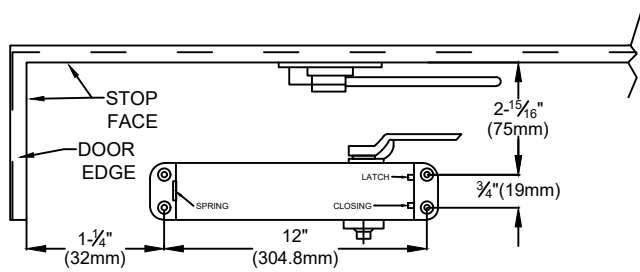
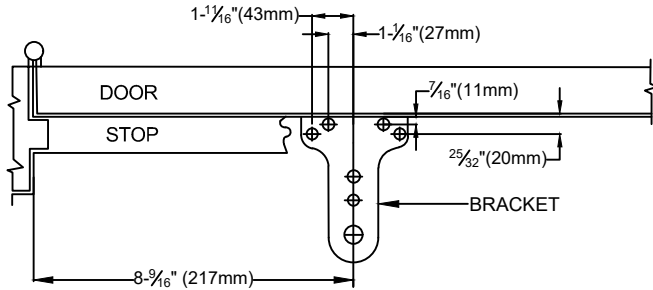
NOTE:

Spring Cush will slow the door down 5 degree (5°) ahead from normal dead stop point.

Despite Installation of the spring Cush, do not adjust BACKCHECK setting of door closer.

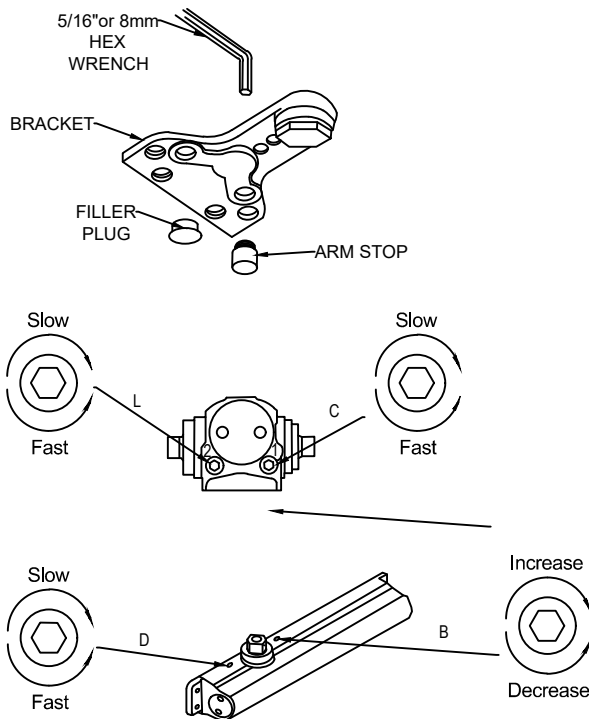
INSTALLATION INSTRUCTIONS CUSH ARM, CUSH HOLD OPEN ARM

PARALLEL ARM (PUSH SIDE) MOUNTING LEFT HAND DOOR SHOWN

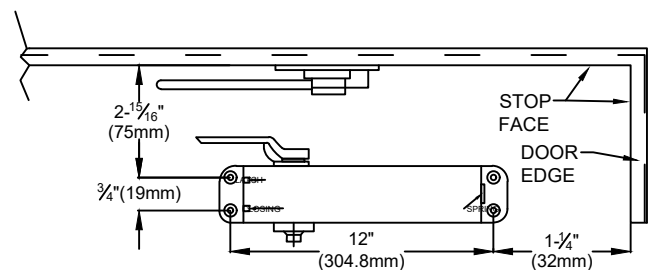
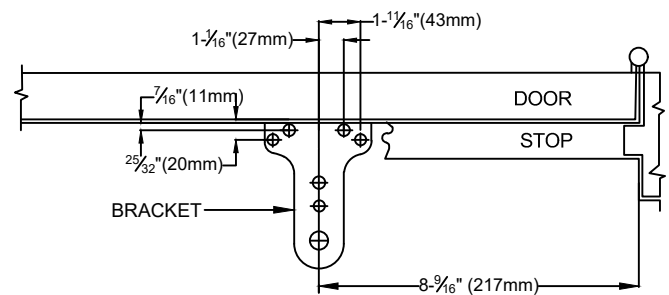


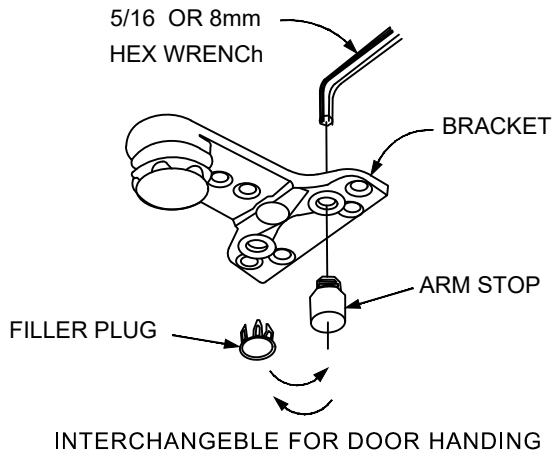
Power Adjustment Chart

MAXIMUM DOOR WIDTH		TURNS REQUIRED
EXTERIOR DOORS	INTERIOR DOORS	
	8.5 lb-f	6 TURNS C.C.W.
8.5 lb-f	34"(864)	3 TURNS C.C.W.
30"(762)	38"(962)	PRESET
36"(914)	48"(1219)	3 TURNS C.W.
42"(1067)	54"(1372)	7 TURNS C.W.
48"(1219)	60"(1524)	12 TURNS C.W.



PARALLEL ARM (PUSH SIDE) MOUNTING RIGHT HAND DOOR SHOWN





THE HAND MUST BE CORRECT BEFORE THE BRACKET IS MOUNTED TO THE DOOR STOP (TOP JAMB). Refer to page 1.

FOR LEFT HAND DOORS:

All bracket are shipped assembled for LEFT HAND DOOR. Insert 5/16" (8mm) hex wrench into ARM STOP and turn anti-clockwise to seat as tightly as possible. Push filler plug in firmly.

FOR RIGHT HAND DOORS:

Push filler plug out of bracket Using a 5/16" (8mm) hex wrench turn ARM STOP clockwise to remove from bracket insert in hole marked "R". Turn hex wrench clockwise to seat ARM STOP as tightly as possible. Push filler into other hole.

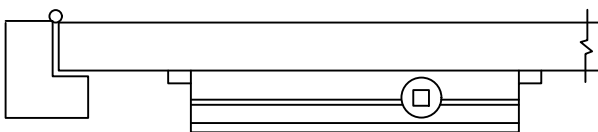
INSTALLATION SEQUENCE

LEFT HAND DOOR SHOWN - RIGHT HAND DOOR OPPOSITE



INSTALLATION INSTRUCTIONS:

1. Using template dimensions shown above, mark FOUR (4) HOLES ON DOOR for door closer and THREE (3) HOLES ON FRAME for parallel bracket.
2. Mount closer on door using screws provided. SPEED ADJUSTING VALVE MUST POSITIONED TOWARD AWAY FROM HINGE EDGE.
3. Adjusting spring power to match door width or weight as indicated by Power Adjustment Chart shown on page 2.
4. Mount closer on door to dimensions shown on page 2.



IMPORTANT REMARK

Do not allow door to slam into frame.

A normal standard closing time from 90° open position is 5 to 7 second evenly divided between main closing (sweep) speed and latching speed Adjust the CLOSING speed first, then adjust the LATCHING speed.

ADJUSTABLE BACK CHECK FUNCTION

This function is essential to the proper operation of the SUPER RIGID PARALLEL ARM. Use just enough to prevent arm to striking stop with impact. See page 2.

ATTACH COVER

Install cover securely using screw provided.

HOW TO HOLD-OPEN (90° STOP)

A quarter turn on the HOLD-OPEN CONTROL HANDLE engages or disengages hold-open.

