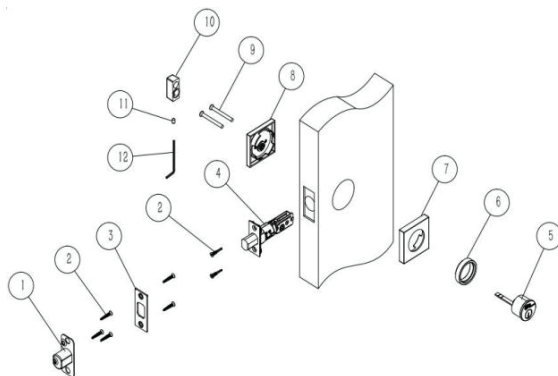




**ITALIA SERIES**  
**RND-400 / RND-500**  
**SQR-400 / SQR-500**  
**Installation Instructions**  
**Single Cylinder Deadbolt**  
**Double Cylinder Deadbolt**

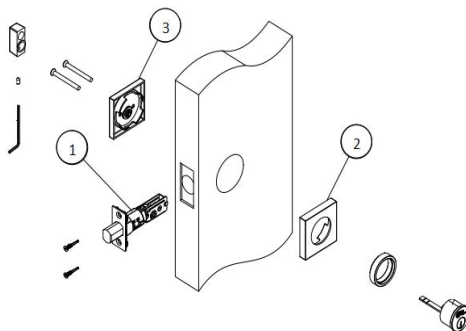
*LA ITALIA SERIA*  
*RND-400 / RND-500*  
*SQR-400 / SQR-500*  
*Instrucciones de instalación*  
*Solo las deadbolt*  
*Aguja de doble cilindro deadbolt*

**RND-400 / RND-500 Single Cylinder Deadbolt**  
**RND-400 / RND-500 Solo Cilindro Deadbolt**



**Part List / Lista de Parte**

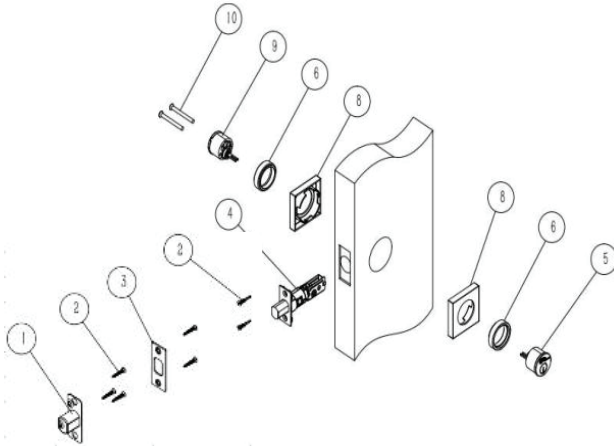
- |  |   |
|--|---|
| 1. Deadbolt Dust Box /<br><i>Polvo caja deadbolt</i>                         | 7. Outside Cylinder Escutcheon /<br><i>Cilindro Exterior Escudo</i> |
| 2. 5 x 76 mm Screws (2 ea) /<br><i>5 x 76 mm Tornillos (2 ea)</i>            | 8. Inside Deadbolt Escutcheon /<br><i>Escudo Interior Deadbolt</i>  |
| 3. Deadbolt Striking Plate /<br><i>La Placa de Cerradura Sorprendente</i>    | 9. M5 x 65 mm Screw (2 ea) /<br><i>Tornillos M5 x 65 mm (2 ea)</i>  |
| 4. Deadbolt / <i>Deadbolt</i>  | 10. Thumbturn / <i>Manija Giratoria</i>                             |
| 5. Outside Cylinder w/ Tailpiece /<br><i>Cilindro Exterior w/ La Colilla</i> | 11. M5 x 6 mm Grab Screw /<br><i>M5 x 6 mm - Tornillo</i>           |
| 6. Cylinder Ring / <i>Cilindro, Anillo</i>                                   | 12. Hex Key / <i>Llave Hexagonal</i>                                |



**Installation Steps**

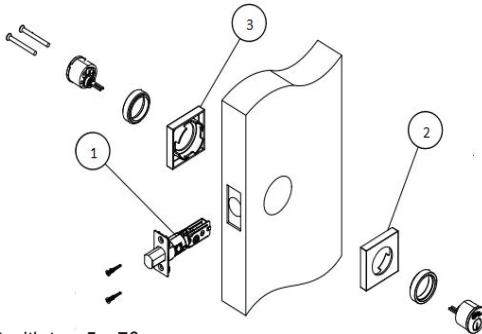
1. Install deadbolt with two 5 x 76 mm screws.
  2. Install the cylinder into cylinder ring, then install them into the outside escutcheon.
  3. Mount the inside escutcheon with two M5 x 65 mm screws.
  4. Mount thumbturn piece, tighten the grab screw inside the thumbturn using hex key.
1. *Instalar el cerrojo con dos tornillos de 5 x 76 mm.*  
 2. *Instalar el cilindro a cilindro anillo, entonces instalar en el exterior escudo.*  
 3. *Monte la placa interior con dos M5 x 65 mm tornillos.*  
 4. *Mount cerrojo manual pieza, apriete el tornillo de agarre dentro de la manija giratoria usando la llave.*

**SQR-400 / SQR-500 Double Cylinder Deadbolt**  
**SQR-400 / SQR-500 Doble Cilindro Vagabundo**



**Part List / Lista de Parte**

- |  |  |
|--|--|
| 1. Deadbolt Dust Box /<br><i>Polvo Caja Deadbolt</i>                         | 6. Cylinder Ring /<br><i>Cilindro, Anillo</i>                                  |
| 2. 5 x 76 mm Screws (2 ea) /<br><i>5 x 76 mm tornillos (2 ea)</i>            | 7. Outside Cylinder Escutcheon /<br><i>Cilindro Exterior Escudo</i>            |
| 3. Deadbolt Striking Plate /<br><i>La Placa de Cerradura Sorprendente</i>    | 9. Inside Deadbolt Escutcheon /<br><i>Escudo Interior Deadbolt</i>             |
| 4. Deadbolt /<br><i>Deadbolt</i>   | 10. Inside Cylinder w/ Tailpiece /<br><i>Dentro de Cilindro w / La Colilla</i> |
| 5. Outside Cylinder w/ Tailpiece /<br><i>Cilindro Exterior w/ La Colilla</i> | 11. M5 x 6 mm Grab Screw /<br><i>Tornillos M5 x 65 mm (2 ea)</i>               |



**Installation Steps**

1. Install deadbolt with two 5 x 76 mm screws.
  2. Install outside cylinder into cylinder ring, then install them into the outside escutcheon.
  3. Install inside cylinder ring, then install them into the inside escutcheon.
  4. Mount the inside escutcheon with two M5 x 65 mm screws through cylinder hole.
1. *Instalar el cerrojo con dos tornillos de 5 x 76 mm.*  
 2. *Instalar fuera del anillo de cilindro cilindro, luego instalar en el exterior escudo.*  
 3. *Instalar en el interior del anillo de cilindro cilindro, luego instalar en el interior escudo.*  
 4. *Monte la placa interior con dos tornillos M5 x 65 mm a través de cilindro hueco.*

## 6-way Deadbolt Latch / 6 - Way cerrojo de pestillo

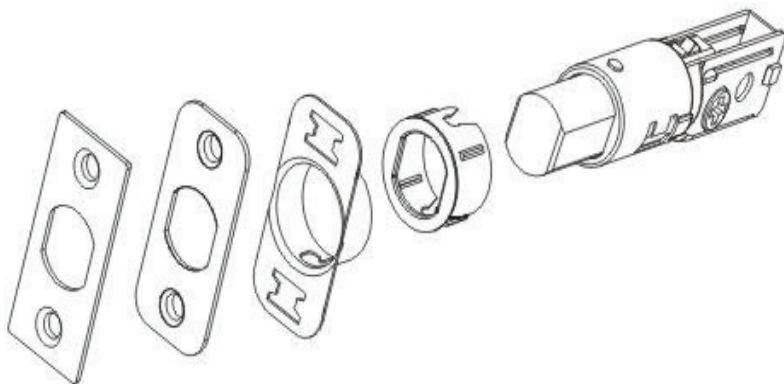
90 Degree Latch Retraction / 90 grado de retracción del Latch

**Backset:** 2-3/8" (60mm), 2-3/4" (70mm)

**Function:** Entrance / Entrada

**Faceplate:** 1" x 2-1/4"

Item No.	Function	Backset
G1 EN	Entry	2-3/8" or 2-3/4" (60mm/70mm)



## Template / Plantilla

