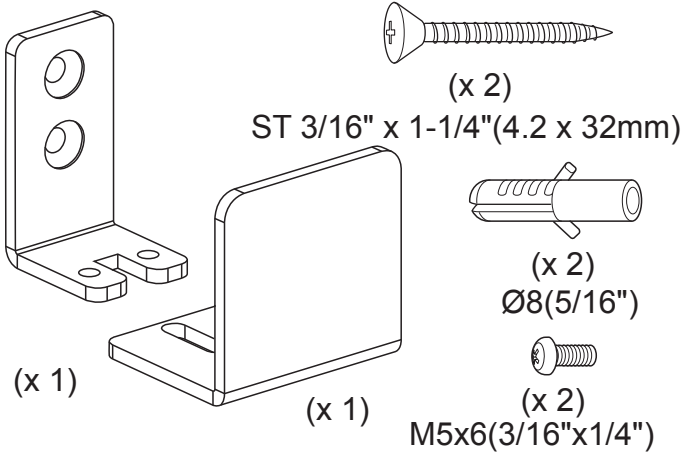
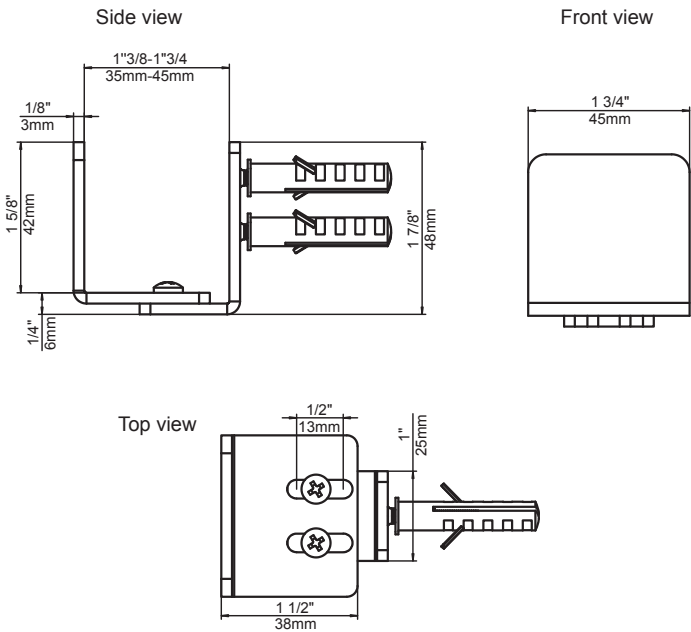
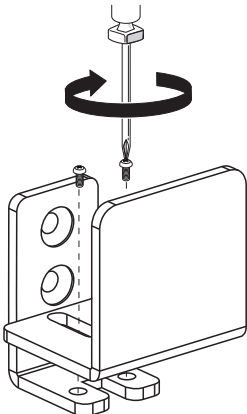


Installation Manual for SDH-FG-ADJ1



1



2

