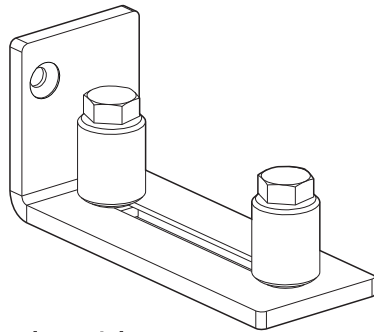
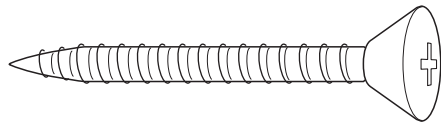


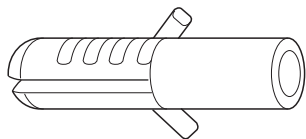
Installation Manual for SDH-FG-ADJ8



(x 1)



ST4.8x32 (x 2)



Ø8 (x 2)

