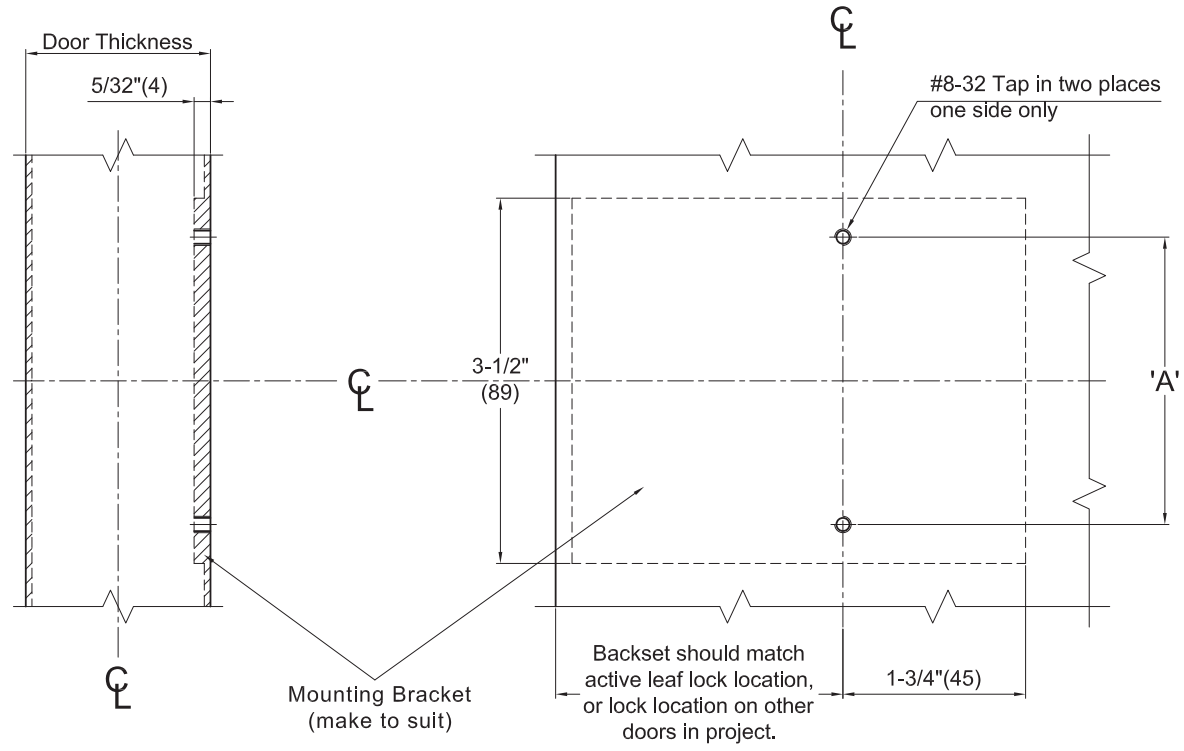
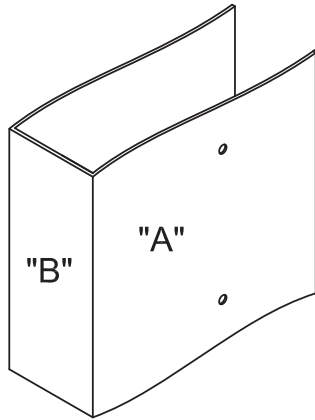


	Dim. A
SL, XP	2-3/4"(70mm)
SG	1-5/8"(42mm)
GRB	1-3/4"(44mm)

NOT TO SCALE



Door Edge Detail "B"

Door Face Detail "A"

All dimensions are given in inches(mm). Dimensions shown in parentheses () are in millimeters.

Door Type :	Metal
Door Thickness :	1-3/8"(35mm) ~ 2"(50mm)
Faceplate :	None
Backsets :	Any

SL, XP, SG, GRB-Series
Cylindrical Locks - **Dummy Trim**
Metal Door Preparation

CAL-ROYAL
PRODUCTS, INC.
Website: cal-royal.com • Email: sales@cal-royal.com
Template Number