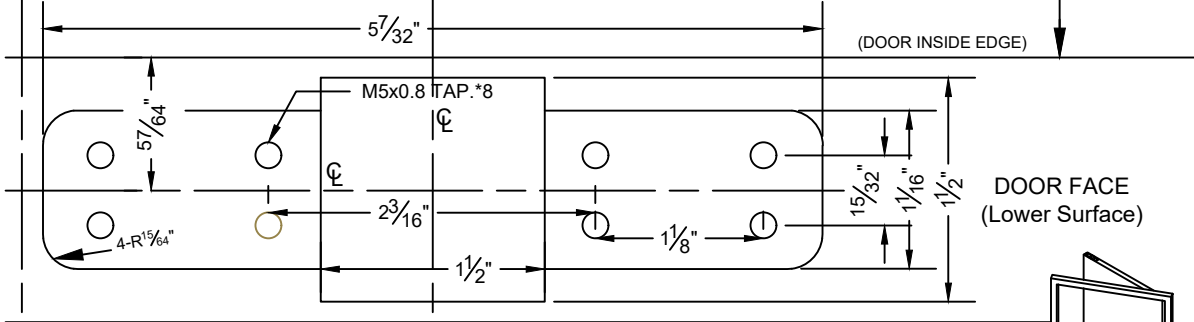
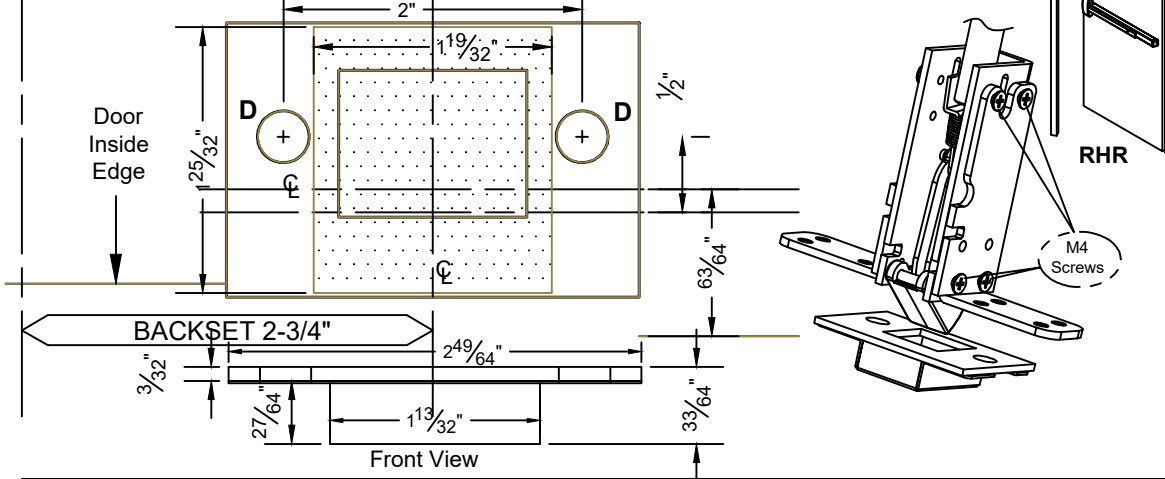


N-77CVR / N-F77CVR SERIES LHR

TEMPLATE of Bottom Latch Housing Ass'y [Bottom Mounting Plate (regular use)]

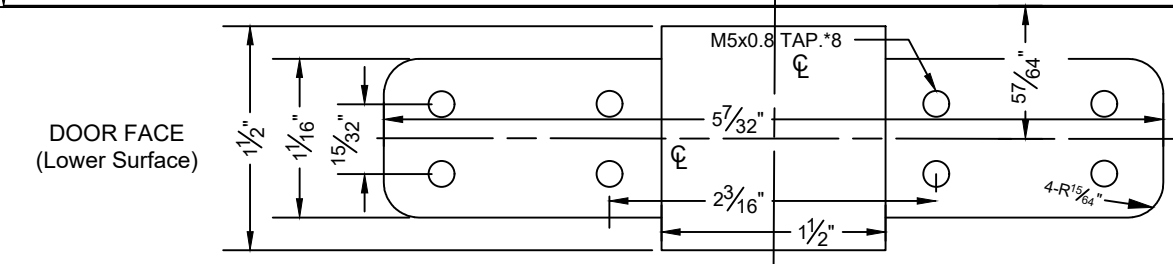


TEMPLATE of Bottom Latch [Bottom Strike (regular use)] (1:1)

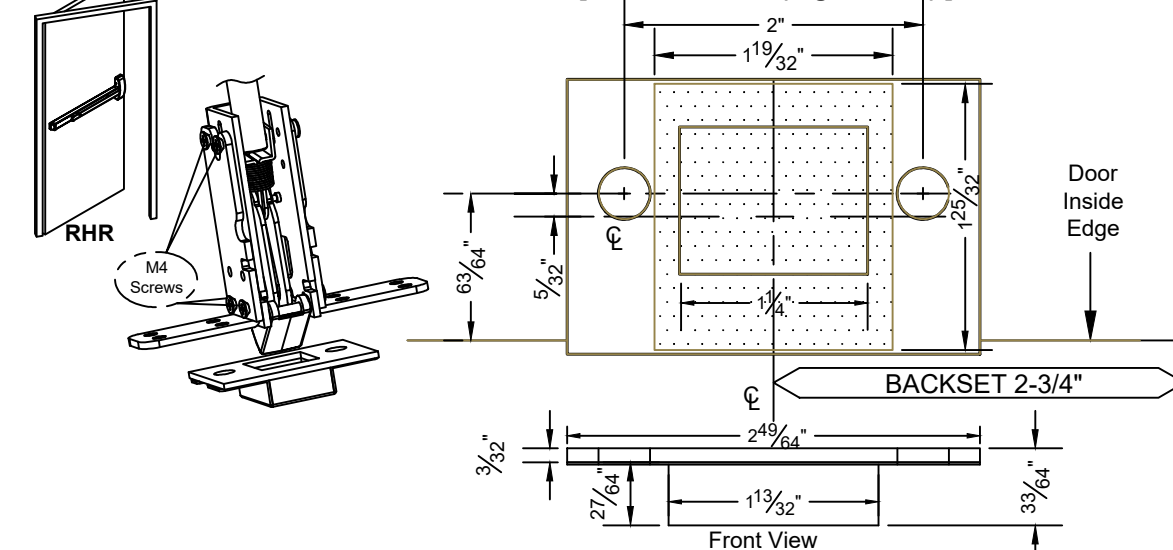


N-77CVR / N-F77CVR SERIES RHR

TEMPLATE of Bottom Latch Housing Ass'y [Bottom Mounting Plate (regular use)]



TEMPLATE of Bottom Latch [Bottom Strike (regular use)]



The illustration and technical description in this cut sheet is current as of the date in version date on the right.

Cal-Royal Product reserves the right to, and may, on occasions, make changes and/or improvements in designs and dimensions without prior notice.

	6605 Flotilla Street City of Commerce CA 90040 USA Tel.# (323) 888-6601 FAX # (323) 888-6699 WEB SITE: CAL-ROYAL.COM Email: sales@cal-royal.com	ITEM NO.	DESCRIPTION	NOT TO SCALE	UNIT	Prepared By:	DATE	DWG. NO.
		N-77/F77CVR BOTTOM MORTISE LATCH	TEMPLATE FOR N-77/F77CVR BOTTOM MORTISE LATCH	PAGE 1 of 2	PRIMARY DIMENSION SHOWN IN INCHES, DIMENSIONS IN () ARE MM	BBT/ADG/CVL	02/23/2024	EDT-4020A-02/24-1of2
								Ver. 1.01