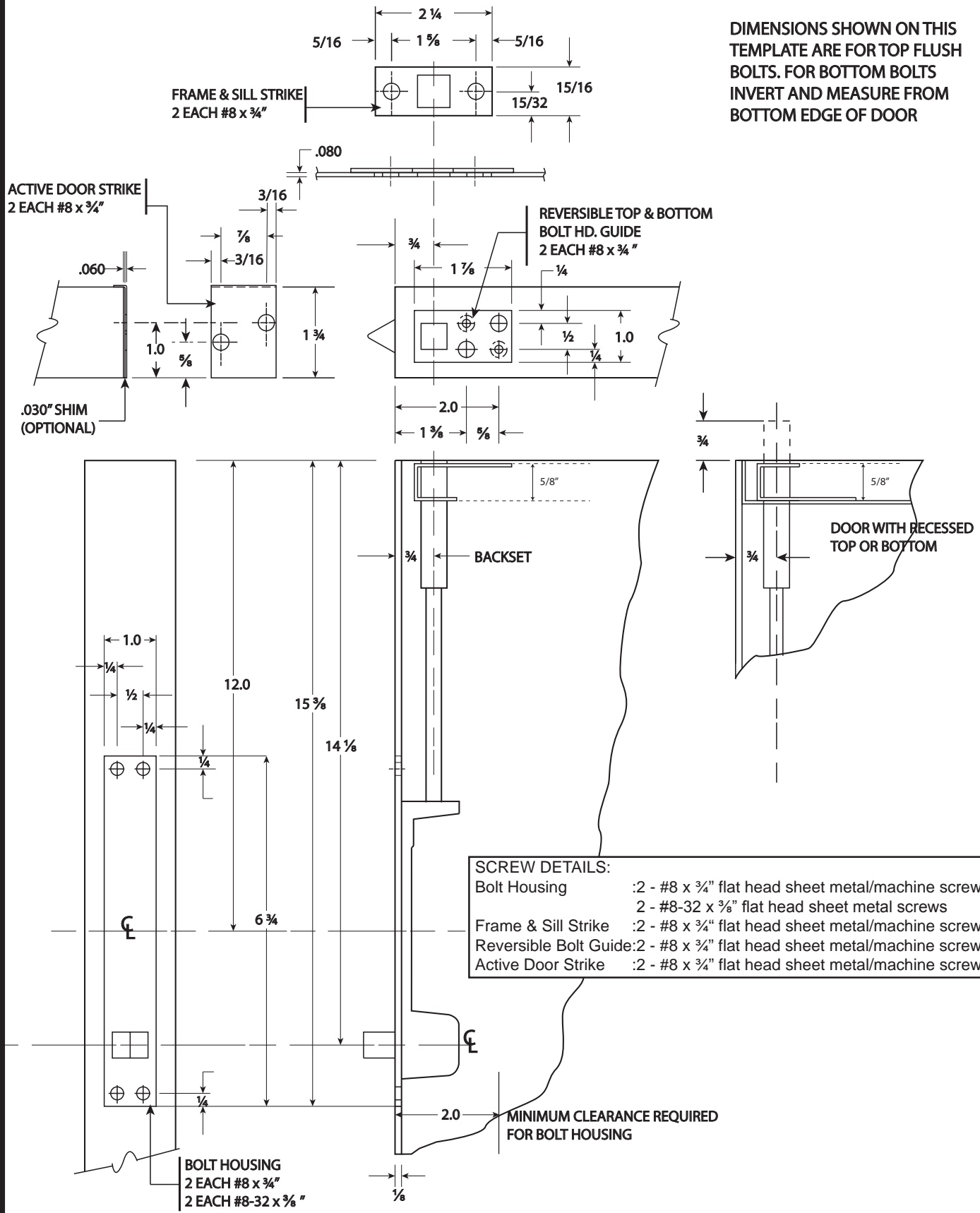


DIMENSIONS SHOWN ON THIS TEMPLATE ARE FOR TOP FLUSH BOLTS. FOR BOTTOM BOLTS INVERT AND MEASURE FROM BOTTOM EDGE OF DOOR



SCREW DETAILS:

Bolt Housing	:2 - #8 x 3/4" flat head sheet metal/machine screws
	2 - #8-32 x 5/8" flat head sheet metal screws
Frame & Sill Strike	:2 - #8 x 3/4" flat head sheet metal/machine screws
Reversible Bolt Guide	:2 - #8 x 3/4" flat head sheet metal/machine screws
Active Door Strike	:2 - #8 x 3/4" flat head sheet metal/machine screws



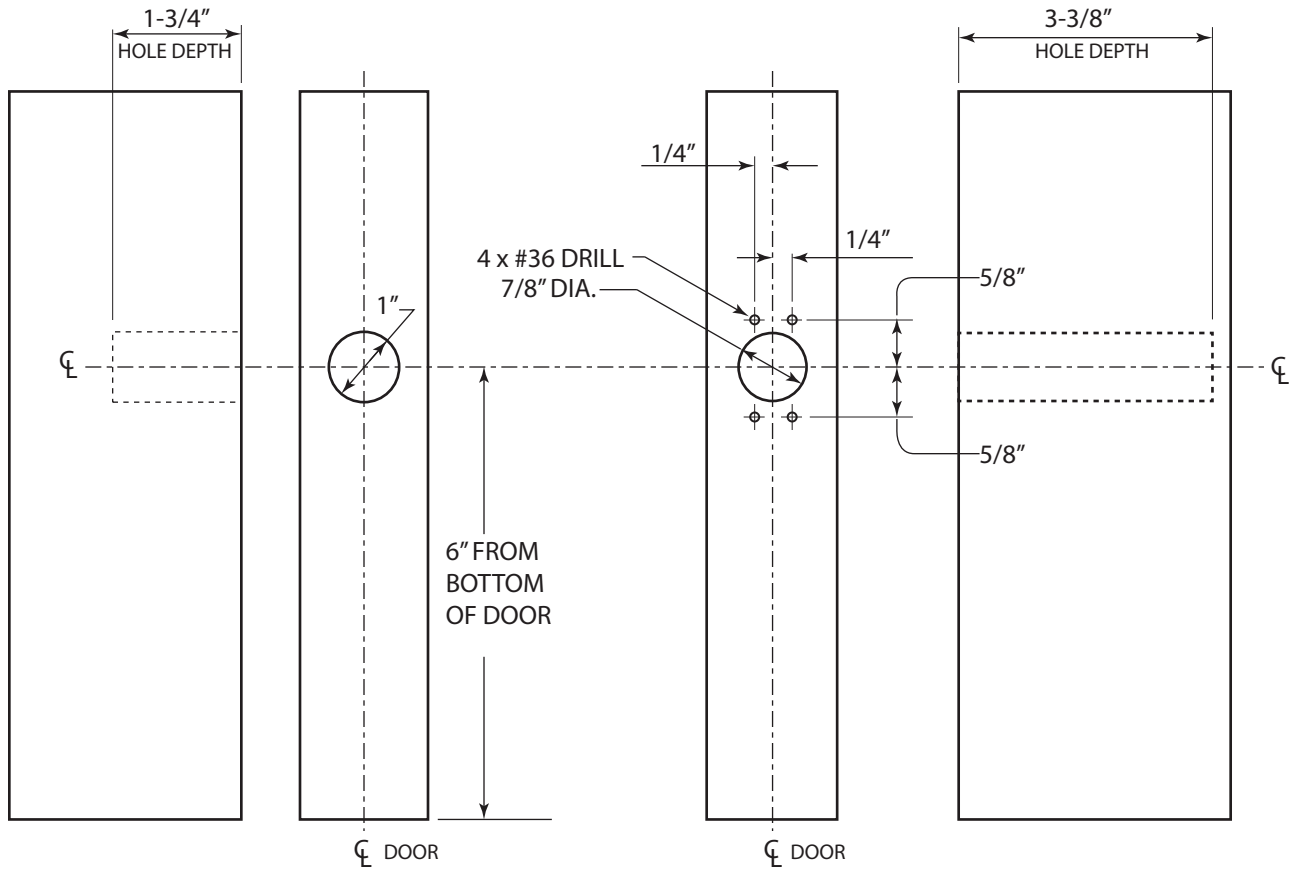
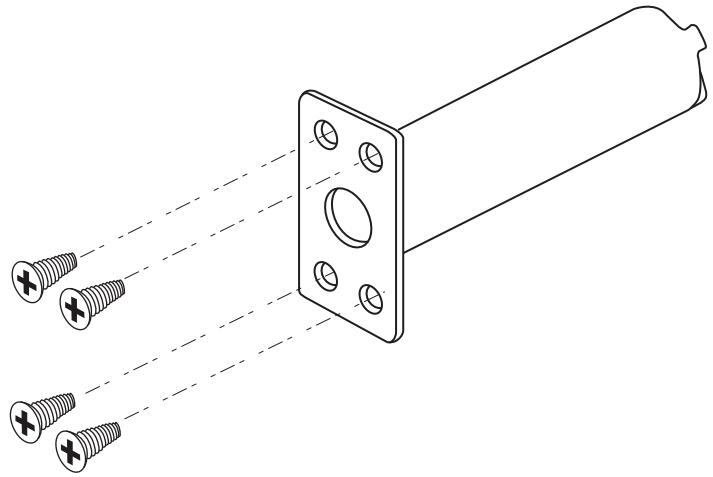
6605 Flotilla St.
 City of Commerce
 CA 90040 USA
 Tel: (323) 888-6601
 FAX: (323) 888-6699
 Website: cal-royal.com
 Email: sales@cal-royal.com

ITEM NO.:	DESCRIPTION:	SCALE:	PAGE:
AUXAUTOFM-1	AUTOMATIC FLUSH BOLT FOR METAL DOOR APPLICATION	1:1 5/8	1 of 2
ANSI:	UNIT:	VERSION:	BY:
---	inches (mm)	ver. 1.0 rev. 01/12	bteves/jsa

DESCRIPTION	QTY.
AUXILLIARY FIRE LATCH ASSEMBLY	1
#6 X 3/6" TYPE AB FLAT HEAD SCREW	4
STRIKE HOLE PLUG	1



STRIKE HOLE PLUG



**STRIKE HOLE PLUG
DOOR LEAF**

**AUXILLIARY FIRE LATCH ASSEMBLY
DOOR LEAF**

ITEM NO:	DESCRIPTION:	SCALE:	SCALE:
AUXAUTOFLM-1	AUXILLIARY FIRE LATCH ASSEMBLY	NOT TO SCALE	PAGE 2 of 2
ANSI:	UNIT:	VERSION:	BY:
	inches [mm]	ver. 1.0 rev. 04/12	bteves/adg