



CRP
SECURITIES

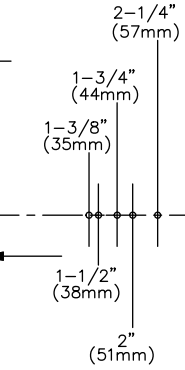
CRCODE-202



LEFT
HAND

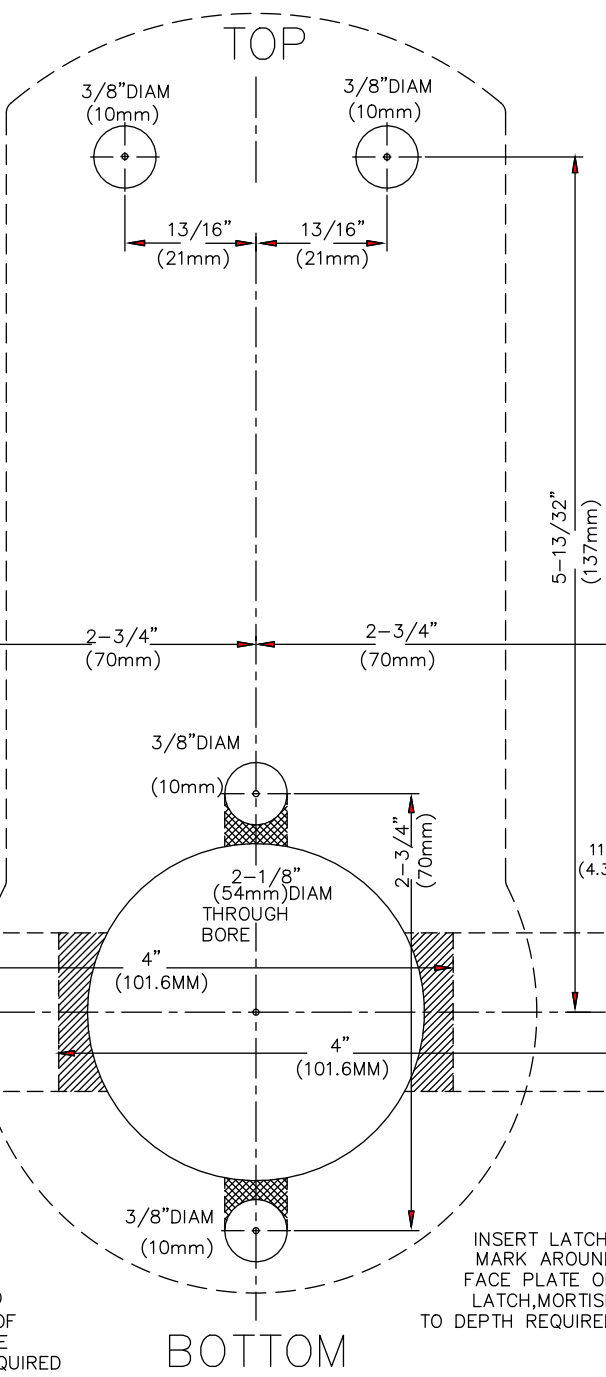
NOTE:
Lock will accommodate doors
1-3/8" (35mm) to 2-1/4" (57mm) thick.

MARK
OF
CENTER
DOOR
THICKNESS



CROSS BORE
1" (25mm) DIAM.
LATCH HOLE

THIS FLAP FOLDS OVER THE EDGE OF THE DOOR
BE SURE THE FOLD IS EXACTLY ON THE LINE



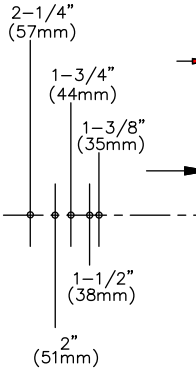
INSERT LATCH,
MARK AROUND
FACE PLATE OF
LATCH, MORTISE
TO DEPTH REQUIRED

BOTTOM

CAUTION
RIGHT
HAND
APPLY TEMPLATE
AND DRILL FROM

THIS FLAP FOLDS OVER THE EDGE OF THE DOOR
BE SURE THE FOLD IS EXACTLY ON THE LINE

MARK CENTER
OF DOOR
THICKNESS



CROSS BORE
1" (25mm) DIAM.
LATCH HOLE

INSERT LATCH,
MARK AROUND
FACE PLATE OF
LATCH, MORTISE
TO DEPTH REQUIRED

