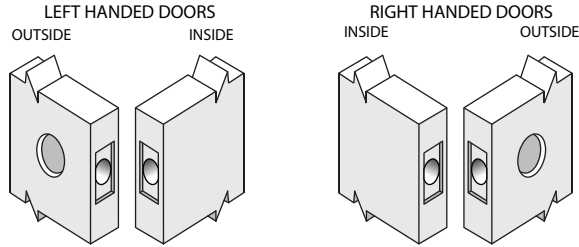
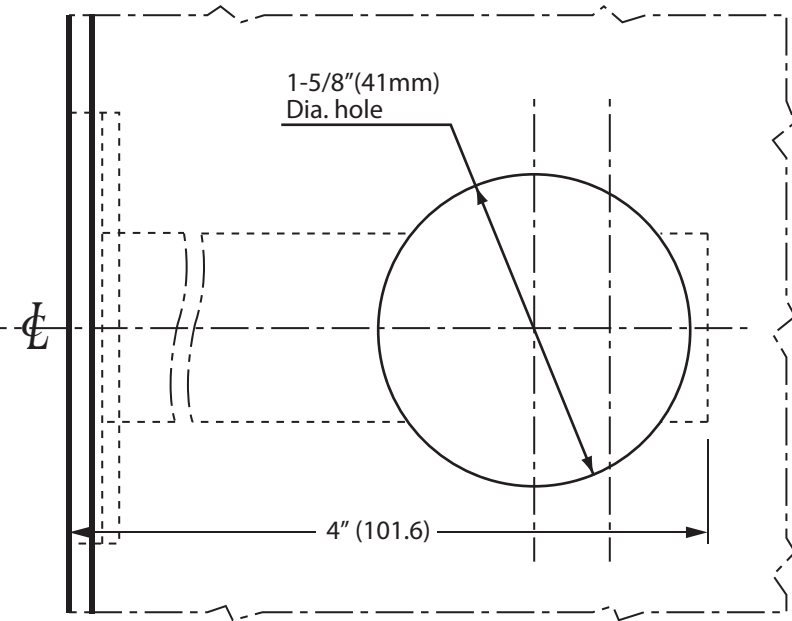
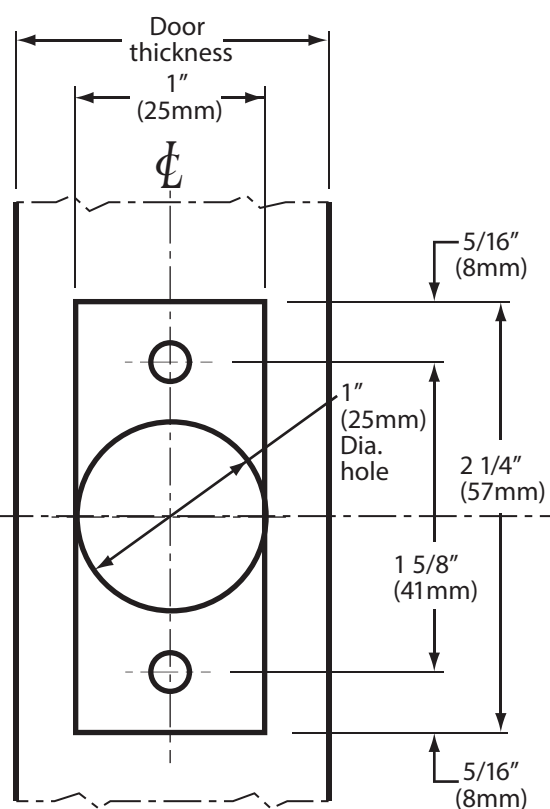
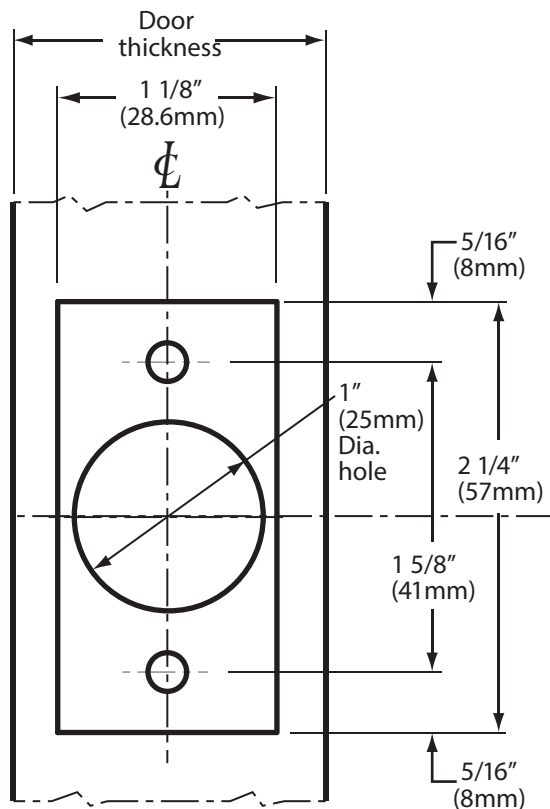
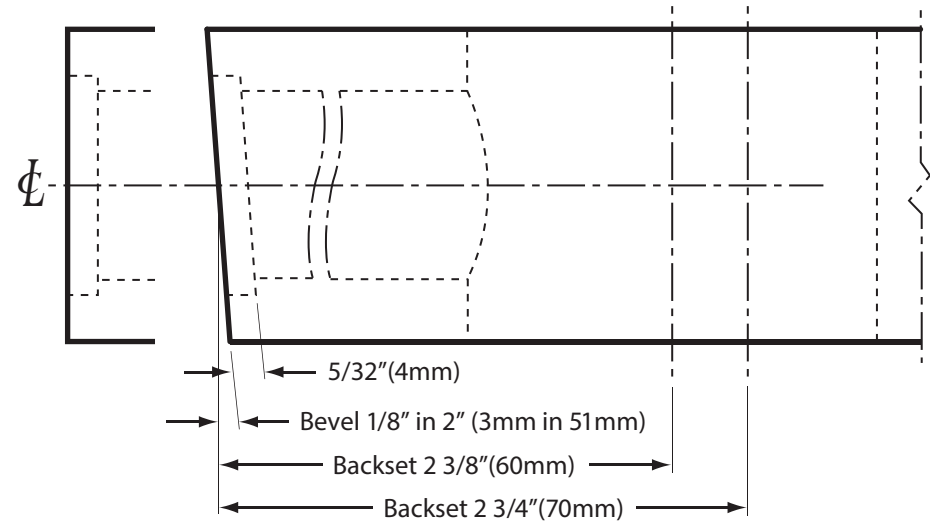


Standard Packaging:

1. Adjustable latch bolt
2-3/8" - 2-3/4".
2. Face plate 1" x 2-1/4".
3. Plastic filler for 1-1/8" latch prep.
4. ULT300 STRIKE
DIMENSION 1-1/8" x 2-3/4"



Drill 1-5/8" hole halfway only. Illustration shows outside preparation. Reverse holes for inside preparation.



The illustration and technical description in this cut sheet is current as of the date in version date on the right. Cal-Royal Product reserves the right to, and may, on occasions, make changes and/or improvements in designs and dimensions without prior notice.



6605 Flotilla Street
City of Commerce
CA 90040 USA
Tel: # (323) 888-6601
FAX: # (323) 888-6699
WEB SITE:
CAL-ROYAL.COM
Email: sales@cal-royal.com

ITEM NO.	DESCRIPTION :
ULID363	TEMPLATE OF A ONE SIDED DEADBOLT

1:1 SCALE	UNIT	Prepared By:	DATE	DWG. NO.
	PRIMARY DIMENSION SHOWN IN INCHES, DIMENSIONS IN () ARE MM	BBT / ADG AED / CVL	02/07/23	LST - 2026 Ver. 03
PAGE 1 OF 1				