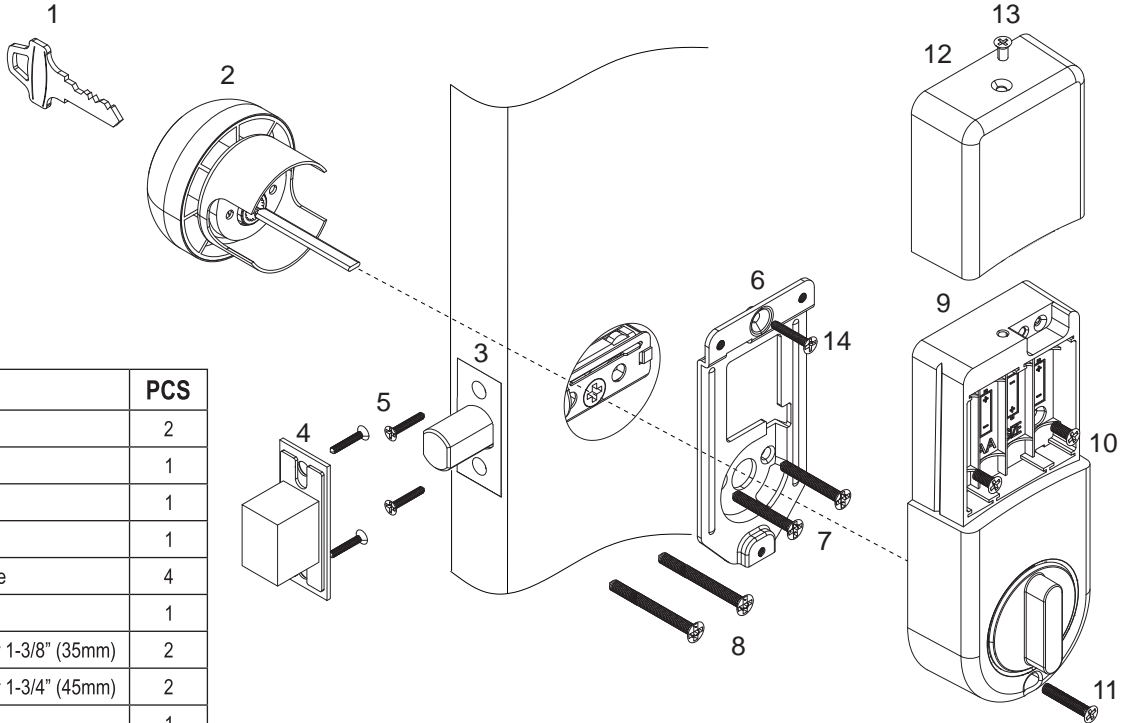


DB5000

Electronic Deadbolt - Installation Instructions



1. DB5000 EXPLODED VIEW

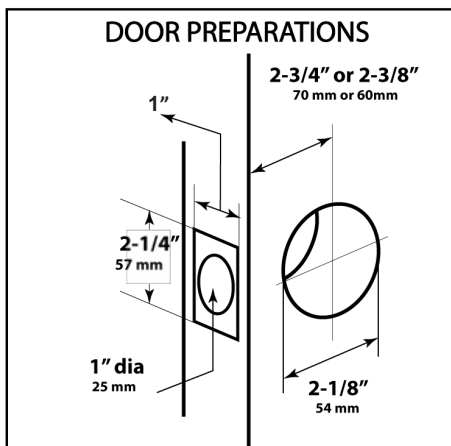


PARTS	PCS
1. Key	2
2. Exterior Assembly	1
3. Latch	1
4. Strike	1
5. Screws for latch and strike	4
6. Mounting plate	1
7. Mounting plate screws for 1-3/8" (35mm)	2
8. Mounting plate screws for 1-3/4" (45mm)	2
9. Interior assembly	1
10. Screws for A interior assembly	2
11. Screws for B interior assembly	1
12. Battery cover	1
13. Screw for cover	1
14. Upper screw for mounting plate	1

Before Installing:

1. Please read the instructions carefully to prevent missing important steps.
*Note: Improper installations may result in damage to the deadbolt which will void the factory warranty.
2. Please keep this Instruction Manual for future reference.
3. Contact dealer if particular installation is needed.

2. DOOR PREPARATIONS



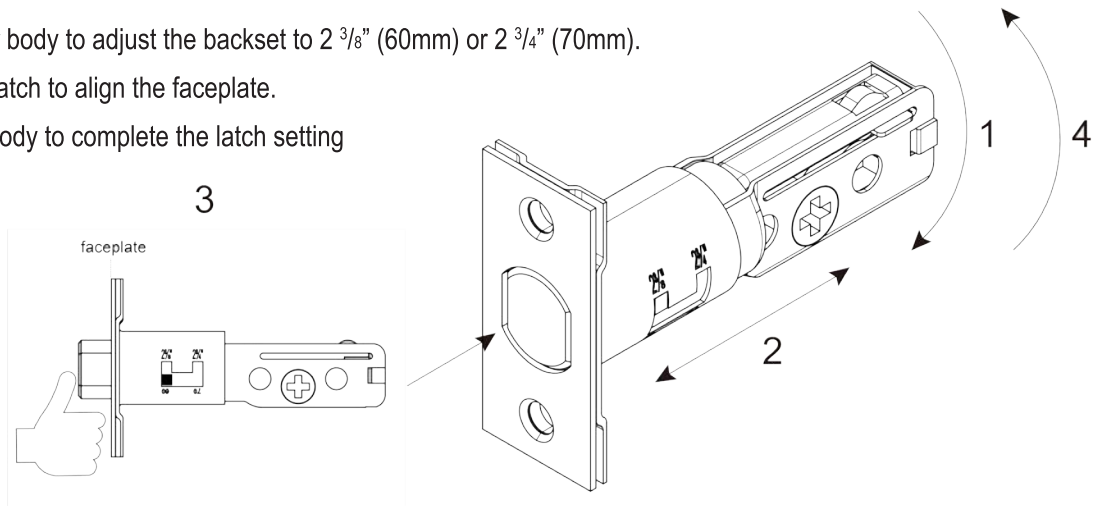
Check measurements on door:

- Thru hole 2 1/8" (54mm)
- Backset - 2-3/8" (60mm) or 2 3/4" (70mm)

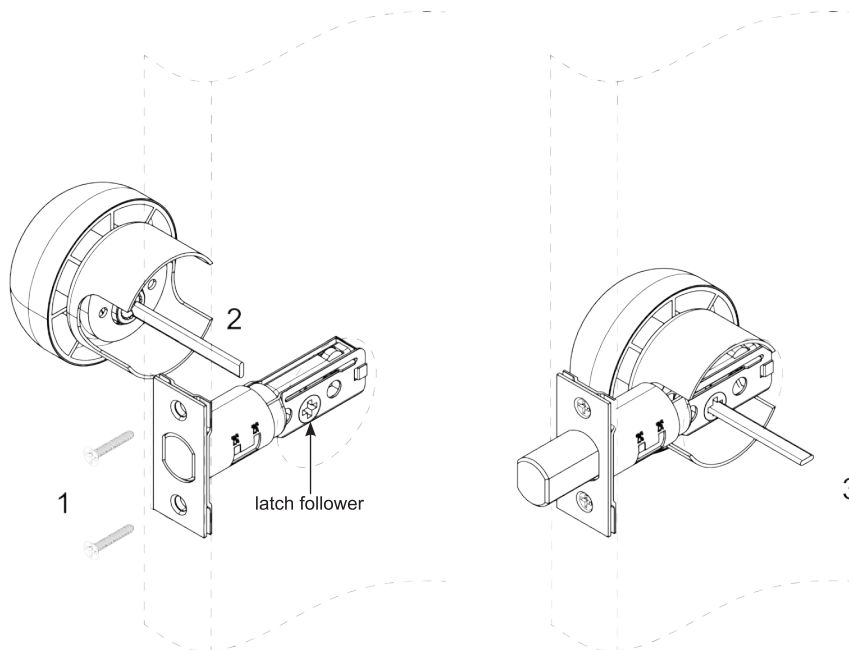
3. ADJUST LATCH ACCORDING TO BACKSET OF DOOR

Adjust latch to 2 ³/₈" (60mm) or 2 ³/₄" (70mm):

1. Turn the rear body.
2. Push or pull the rear body to adjust the backset to 2 ³/₈" (60mm) or 2 ³/₄" (70mm).
3. Press and hold the latch to align the faceplate.
4. Turn back the rear body to complete the latch setting.



4. INSTALL EXTERIOR ASSEMBLY

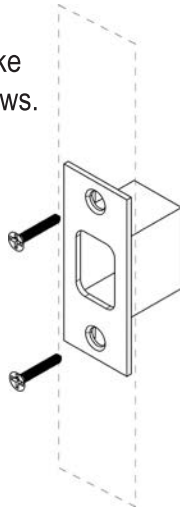


1. Install the latch. The latch must be installed with the arrow pointing upward.
2. Install exterior assembly. Insert spindle into the latch follower. The spindle should be in vertical position.
3. Test if latch bolt fully extends and retracts, and leave the latch extended.

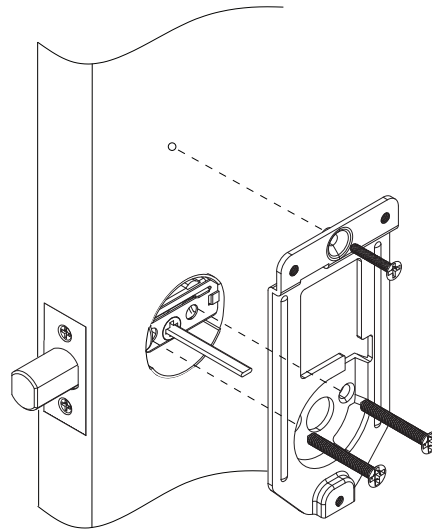
Important: After installing the exterior assembly, the spindle should be in horizontal position when the latch is fully extended.

5. INSTALL STRIKE

1. Fasten strike with 2 screws.

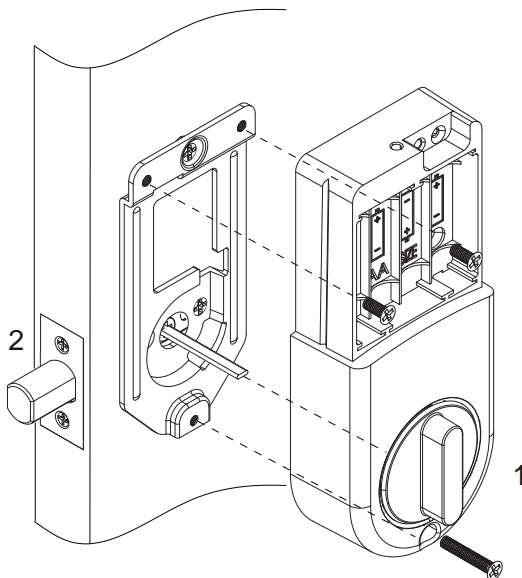


6. INSTALL MOUNTING PLATE

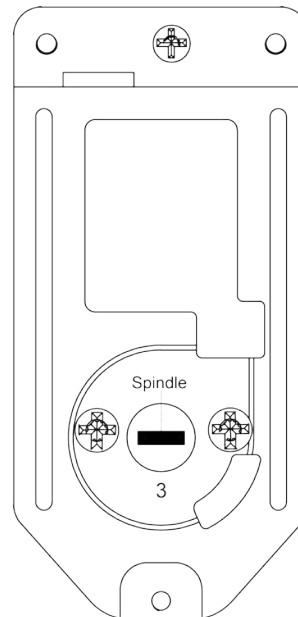


1. Determine mounting plate screws according to door thickness.
2. Fix mounting plate with 2 lower screws through the bolt hole to exterior assembly.
3. Keep mounting plate parallel to the edge of the door and secure using the upper screws to fix it (optional)

7. INSTALL INTERIOR ASSEMBLY

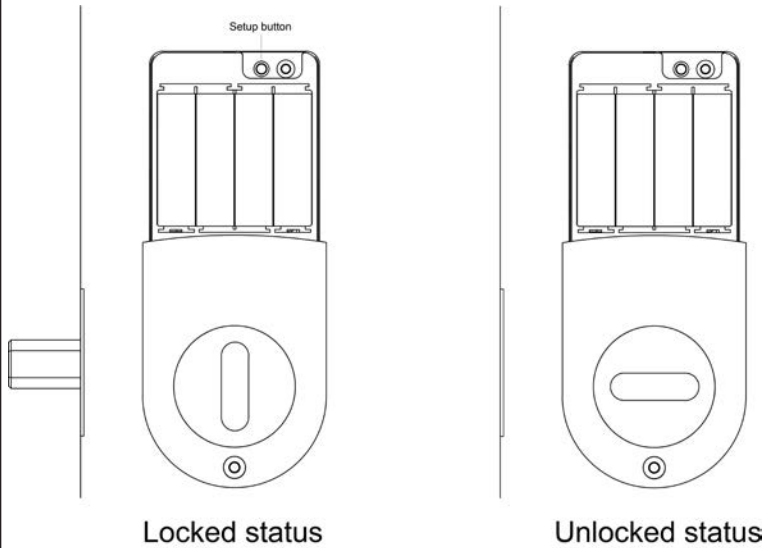


1. Make sure the thumbturn is vertical.
2. The latch bolt should be in extended position.
3. The spindle should be horizontal and centered through the mounting plate hole.
4. Install assembly and secure with 3 screws.
5. The thumbturn might not rotate smoothly until the door handing process is completed.



Important:
After installing the interior assembly, the thumbturn should be in vertical position when the latch is fully extended.

8. DOOR HANDING PROCESS



1. Place 4 batteries in the battery pack.
2. After initial beeps, press and hold the setup button until you hear 4 consecutive beeps.
3. The lock will start to learn whether the door is right handed or left handed. The motor will drive the latch locked/unlocked several times in the learning process.
4. If the lock finished L/R learning successfully, it will beep and flash green once.
5. If the lock fails to learn the left/right information, it will beep and flash red 3 times. Please re-install the lock correct and re-try learning from step 1.

Important: The latch should always be extended with vertical thumbturn, and should always be retracted with horizontal thumbturn.

9. SLIDE DOWN BATTERY COVER

