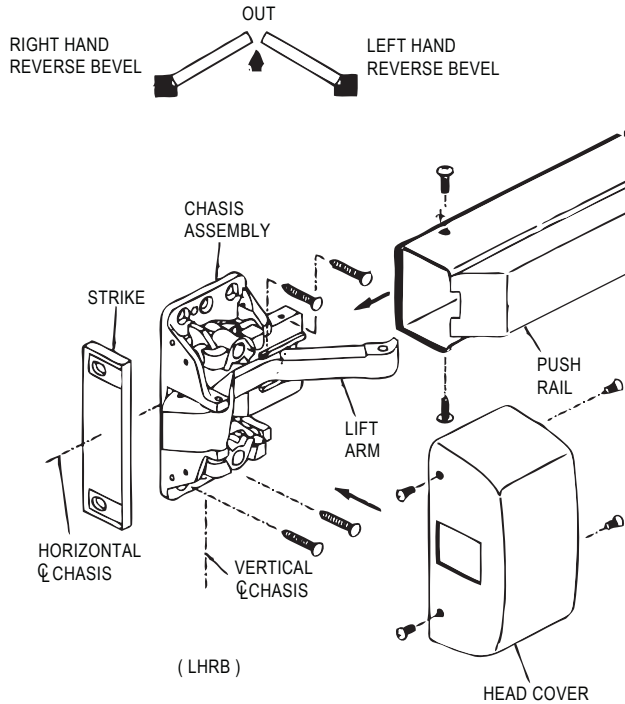


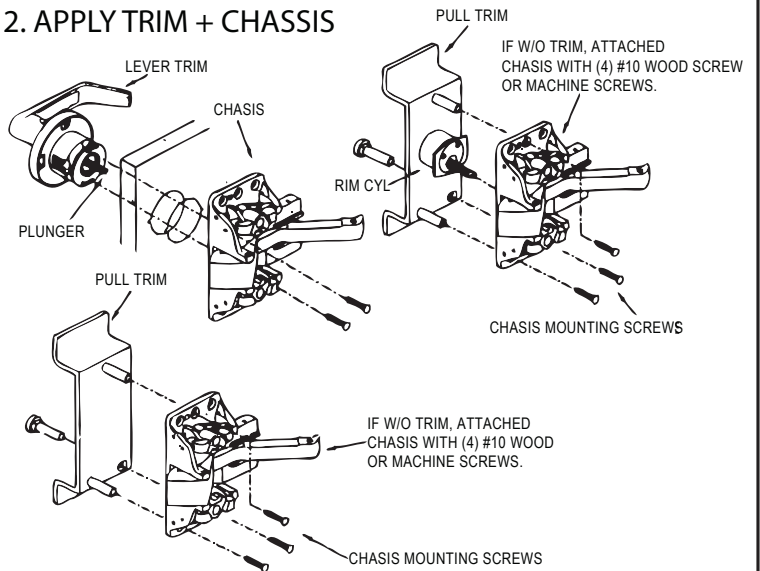
INSTALLATION INSTRUCTION FOR AF22EO SERIES FIRE RIM EXIT DEVICE

BEFORE INSTALLING DEVICE, PLEASE CHECK:

- IF DOOR FITTED AND HUNG.
- SIZE OF EXIT DEVICE, FUNCTION AND DESIGN...
- 2.1 36" DOORS, CAN BE CUT TO FIT DOORS DOWN TO 30" WIFE.
- 2.2 48" DOORS, CAN BE CUT TO FIT DOORS DOWN TO 36" WIFE.
- 2.3 HAND OF DEVICE AGAINST APPLICATION.

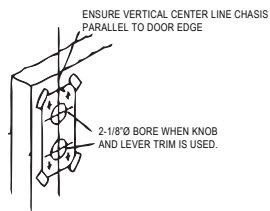


2. APPLY TRIM + CHASSIS

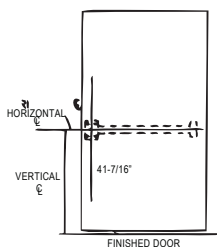


1. PREPARE DOOR

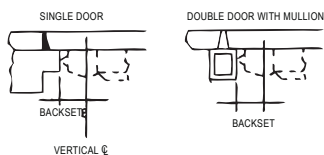
1. FOR 2-1/8" Ø BORE PREP POSITION TEMPLATE OVER EXITING HOLE AND MARK FOR TWO CHASSIS MOUNTING SREW HOLES.



2. FOR DOOR W/O BORE PREP, MARK VERTICAL CENTER LINE CHASSIS AND HORIZONTAL CENTER LINE CHASSIS USING DIMENSION BELOW



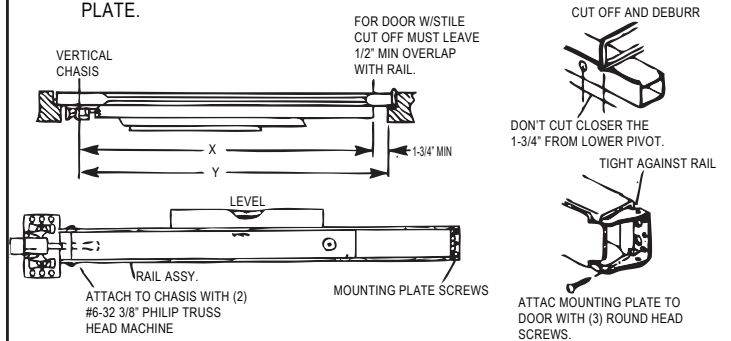
IDENTIFY TYPE OF INSULATION TO DETERMINE LOCATION OF VERTICAL CENTER LINE.



- STRIKE FOR BACKSET 2-1/4"
- STRIKE FOR BACKSET 1-3/4"
- STRIKE FOR BACKSET 2-1/4"
- STRIKE FOR BACKSET 1-1/2"

3. APPLY RAIL ASSEMBLY

1. CHASSIS THE SIZE OF DEVICE, IF CUTTING TO LENGTH IS REQUIRED.
2. DETERMINE CUT OFF LENGTH "X" BY SUBTRACTING 1-3/4" FROM "Y". MARK CUT OFF POINT ON MOUNTING RAIL.
3. DEPRESS ARM INTO RAIL OPENING AND SLIDE RAIL ONTO CHASSIS. LEVEL RAIL AND FASTEN CHASSIS AND MOUNTING PLATE.



4. APPLY COVER AND STRIKES

