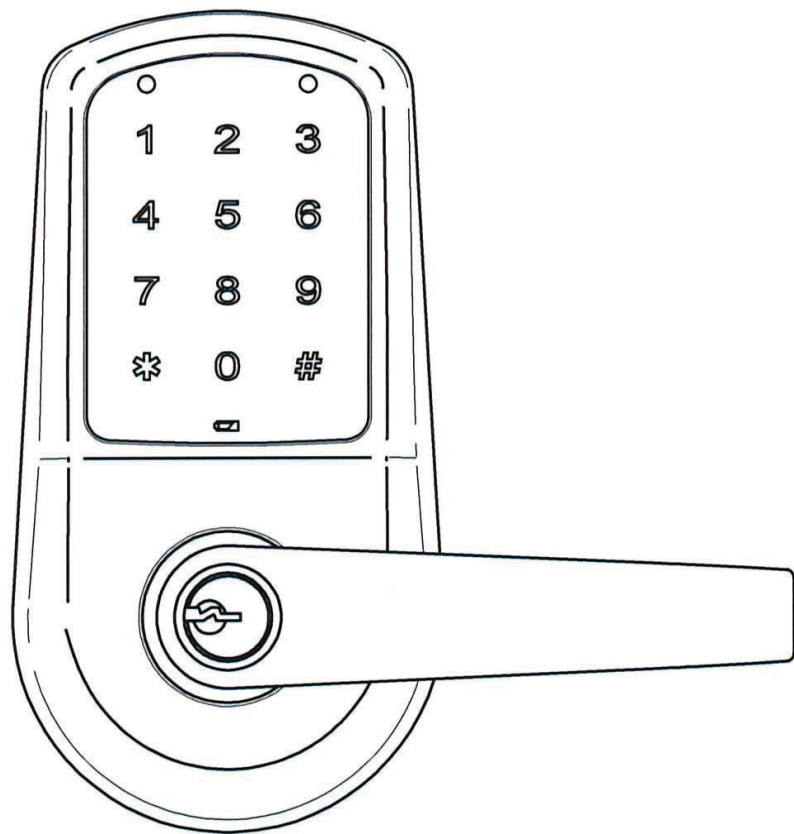


# CR9000

## Stand-alone Touchscreen Access Lock

### Installation and Programming Instructions



Take the time to read through this guide to familiarize yourself with the features and operation of the lock, and its quick and easy programming procedures.

*Save this PROGRAMMING INSTRUCTIONS for future reference*

- **Note:** Improper installations may result in damage to the lock and void the factory warranty.

# INSTALLATION GUIDE

## TABLE OF CONTENTS

Warnings .....	2
Introduction .....	2
Specifications .....	3
Parts Breakdown .....	3~4
Tools for Installation .....	4
Installation Instructions	
Verify Hand and Bevel of Door .....	5
Door & Frame Preparation .....	5~6
Prepare Lock for Installation .....	7~9
Lock Installation .....	10~11
Test Lock Operation .....	12
Hardware Troubleshooting .....	12

## WARNINGS

**Warning:** *Changes or modifications to this unit not expressly approved by the party responsible for compliance could void the user's authority to operate the equipment.*

- Change your PIN code regularly to ensure the security of your PIN code.
- Keep lock away from wet environments, including wet hands and direct contact with liquids.
- Do not exert excessive force or use sharp instruments to press the buttons on the lock.
- Ensure that the door is properly locked when going outside.
- Ensure the batteries have been installed according to the correct polarity.
- When the battery life expiration warning sounds, replace all batteries with new batteries within one week.
- Do not mix old batteries with new batteries.
- Do not hang on the lock or pull on it with excessive force.
- Use a soft, dry cloth to clean the lock and avoid cleaning with water, benzene or alcohol, etc.

## INTRODUCTION

Congratulations on the purchase of your Stand-alone Touchscreen Access Cylindrical Lock! Your lock combines a touch-sensitive number display pad and a robust cylindrical lock.

You can program up to 50 users to open the lock with unique PIN codes.

This product is engineered for quick & easy installation and fits in place of a standard bored locks door prep (ANSI/BHMA A156.115).

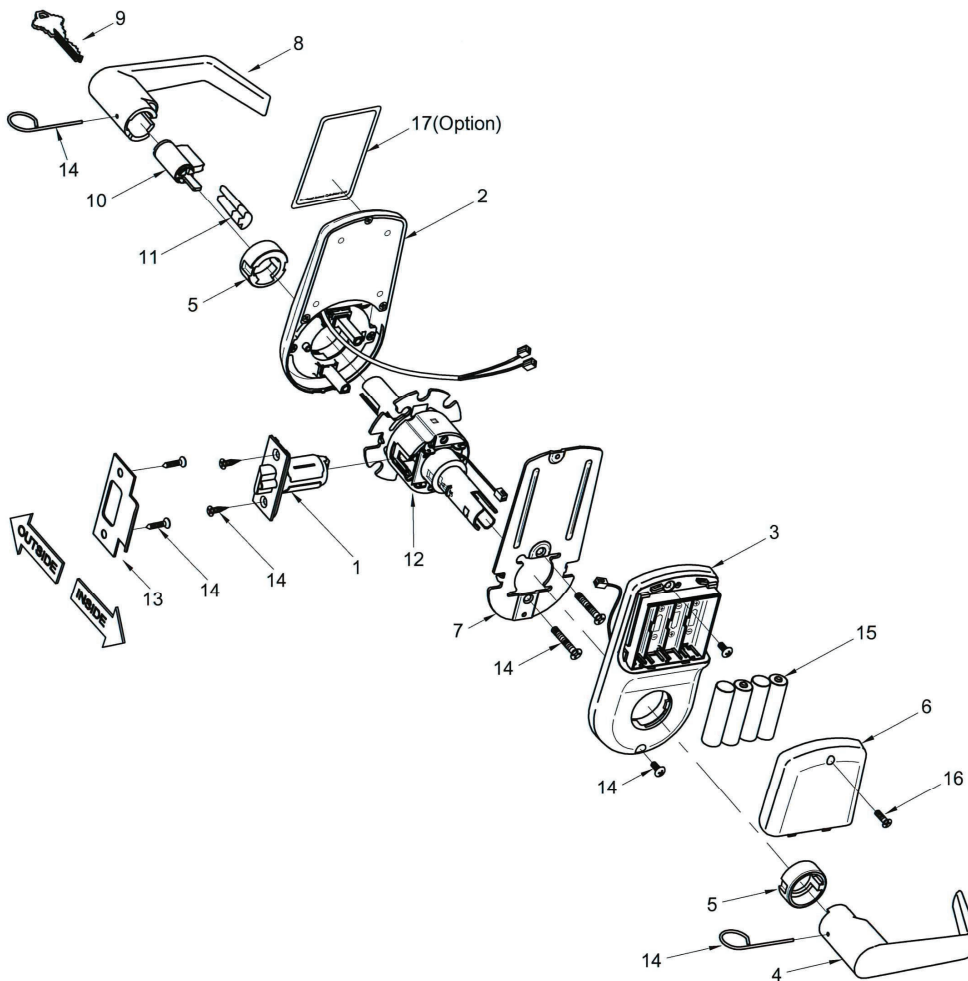
This product is operated by four (4) "AA" alkaline batteries.

## SPECIFICATIONS

- Latch brass - 1/2"(13mm) throw standard
- Deadlocking latch
- Outside lever controlled by touchpad or key retracts latch
- Inside lever retracts latch
- Locks furnished for 1-3/8"(35mm) to 2-3/4"(45mm) doors.
- U.L. Listed

## PARTS BREAKDOWN

Confirming the Box Contents The following items should be included in the box:



### DOCUMENTS INCLUDED IN BOX:

(Installation & Programming Instructions / 1 Full Size Template)

## PARTS BREAKDOWN (Continued)

ITEM NO.	DESCRIPTION	QTY.
1	Latch (2-3/4"(70mm) Backset standard or 2-3/8"(60mm) optional	1
2	Outside Assembly	1
3	Inside Escutcheon	1
4	Inside Lever	1
5	Spacer Bushing	2
6	Battery Cover	1
7	Mounting Plate	1
8	Outside Lever	1
9	Key (Provided with Cylinder)	2
10	Cylinder	1
11	Cylinder Retainer	2
12	Lock Body	1
13	Strike	1
14	Screw Pack <ul style="list-style-type: none"> <li>▪ (4) 8-32×3/4"(19mm) FL HD Combination Screws for Latch &amp; Strike</li> <li>▪ (2) 10-32×1-13/32"(36mm) FL HD Machine Screws for Mounting Plate</li> <li>▪ (2) M4.0×P0.7-15/32"(12mm) FL HD Machine Screws for Inside Escutcheon</li> <li>▪ (1) Lever removal tool</li> </ul>	1
15	AA Alkaline Batteries	4
16	Battery Cover Screw	1
17	RF Card(option)	

## TOOLS FOR INSTALLATION

### Door Prep

- Pencil
- Center punch
- Chisel & Hammer
- Drill with 3/8" or 1/2" chuck
- 2-1/8"(54mm) hole saw
- 1"(25mm) boring bit
- 7/64"(2.5mm) drill bit

### Lock Installation

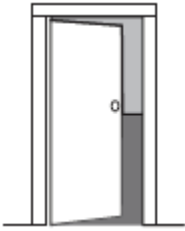
- #2 phillips screw driver
- Lever removal tool (provided)

## INSTALLATION INSTRUCTIONS

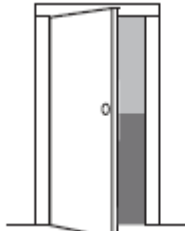
### Step #1 Verify Hand and Bevel of Door

Stand on outside/locked side of the door when determining the door hand.

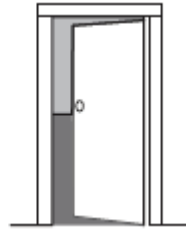
**Note:** *This lock is non-handed and the lever can be flipped around to the desirable hand.*



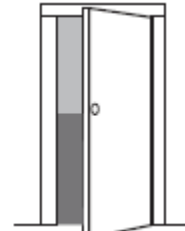
Left Hand  
Hinges Left  
Open Inward  
"LH"



Left Hand  
Reverse Bevel  
Hinges Left  
Open Outward  
"LHRB"



Right Hand  
Hinges Right  
Open Inward  
"RH"



Right Hand  
Reverse Bevel  
Hinges Right  
Open Outward  
"RHRB"

### Step #2 Door & Frame Preparation

**IMPORTANT:** *The accuracy of the door preparation is critical for the proper functioning and security of this lever handle lock. Misalignment can cause premature wear and tear and a lessening of security.*

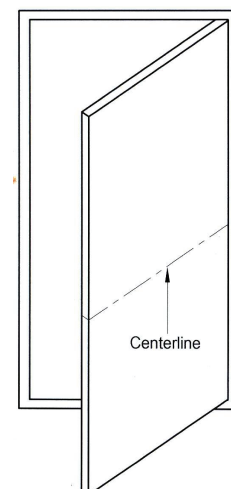
#### For uncut Doors and Frames

##### A. Mark Centerline

Draw a horizontal centerline for the lever (the centerline for the lock body hole) on the edge and on both sides of the door at the desired height above the finished floor.

**Note 1:** *The recommended height from the floor to the lock is 38"(97cm).*

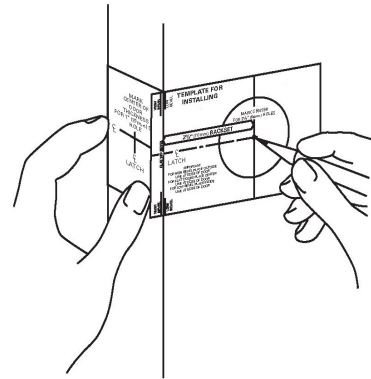
**Note 2:** *If strike mortice already exist in frame, locate the horizontal centerline of the lock using strike mortice as reference.*



## B. Position Template and Mark Drill Points

Be sure to verify backset before marking and drilling door.

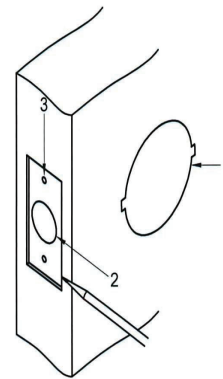
1. Fold and Place template on high edge of door at the horizontal centerline.
2. Mark centers of holes at proper backset. For beveled and square edge doors, mark both sides of the door.



## C. Drill Holes and Mortise for Latch face

1. Drill 2-1/8"(54mm) diameter hole through the door. Cut notches as shown on template.
2. Drill 1"(25mm) diameter hole in edge of door. Mortise for latch front 5/32"(4mm) deep 1-1/8" (29mm) wide × 2-1/4"(57mm) high.
3. Drill the holes for the screws used to install the latch. 7/64"(2.5mm)

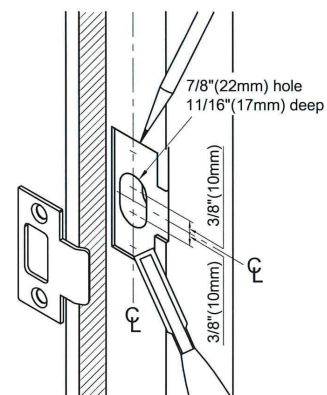
**Note:** To avoid splintering wood doors, drill holes from both sides of the door.



[Final Door Prep]  
Standard bored locks door prep  
(ANSI/BHMA A156.115).

## D. Prepare and Install Strike (Wood Frames Only)

1. Mark vertical line and centerline on frame exactly opposite center of latch hole.
2. Drill two (2) 7/8"(22mm) holes 3/8"(10mm) above and below centerline.
3. Mortise a cutout for strike. Use strike as a pattern for mortise. (Strike should fit flush with frame.)
4. Drill the holes for the screws used to install the strike. 7/64"(2.5mm)



## Step #3 Prepare Lock for Installation

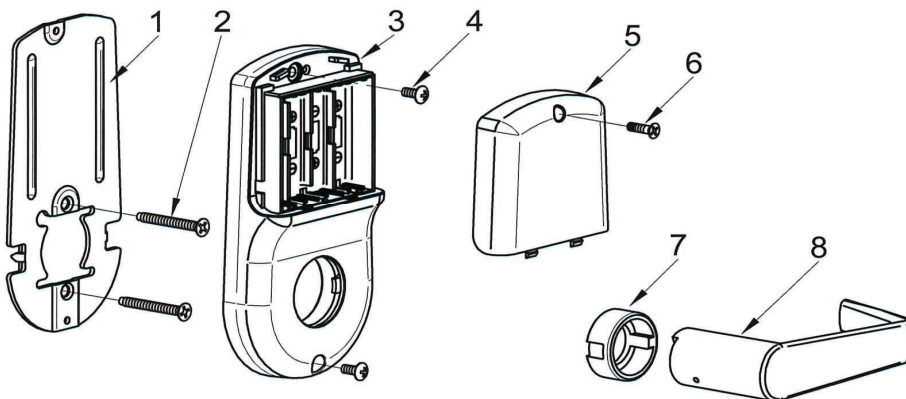
### A. Unpack the Lock

The lock is packed in such a way to represent how it will install on the door.

Before installation:

1. Disassemble the inside escutcheon.
  - 1) Remove the inside lever and spacer bushing with the lever removal tool provided.
  - 2) Separate the mounting plate from the inside escutcheon.
2. Remove the battery cover
  - 1) Unscrew the battery cover screw using the #2 phillips screw driver.
  - 2) Take the battery cover off.

The outside assembly stays assembled.



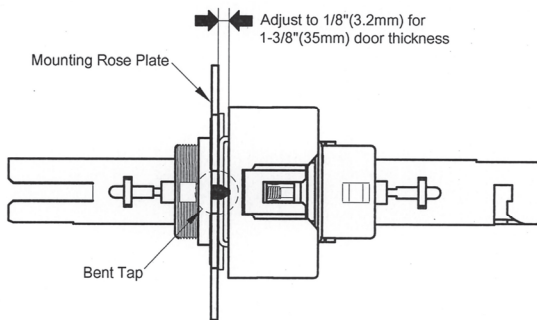
- |                          |                            |                        |
|--------------------------|----------------------------|------------------------|
| 1. Mounting Plate        | 3. Inside Escutcheon       | 5. Battery Cover       |
| 2. Mounting Plate Screws | 4. Inside Escutcheon Screw | 6. Battery Cover Screw |
|                          |                            | 7. Spacer Bushing      |
|                          |                            | 8. Inside Lever        |

### B. Adjust for Door Thickness (If Necessary)

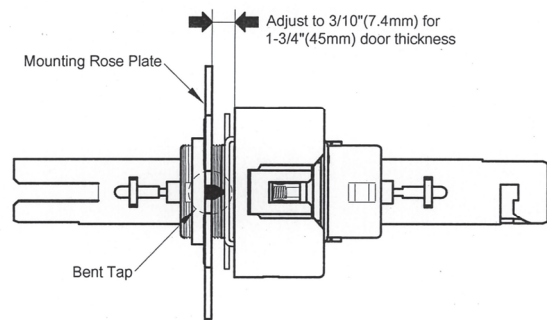
- ☞ Lock is factory-assembled for 1-3/4"(45mm) thick doors.
- ☞ It can be adjusted for door thickness range from 1-3/8"(35mm).

### Adjustment for different door thickness:

1. Remove outside lever, spacer bushing and outside assembly (See C below).
2. Rotate outside mounting rose plate for proper door thickness as shown below.
3. Position of bent taps as shown below must match (ensure the bent taps are horizontally crossed).
4. Reassemble outside assembly, spacer bushing and outside lever by reversing procedures.



In case of 1-3/8"(35mm) thick door



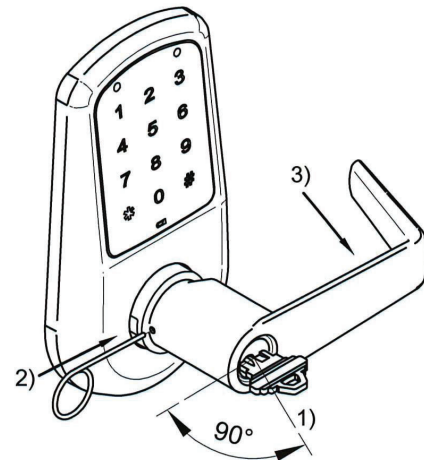
In case of 1-3/4"(45mm) thick door

### C. How to Replace, Re-Key or Install Cylinder (If Required)

1. Remove outside lever
  - 1) Insert key, rotate 90° clockwise and hold.
  - 2) Depress lever retainer with lever removal tool (provided).
  - 3) Slide lever off lock.
2. With outside lever in hand, use standard pliers to pull out cylinder retainer.
3. Remove key and cylinder from outside lever.
4. Insert new cylinder.
5. Secure by pressing cylinder retainer flush with the lever.
6. Insert key into cylinder.

**Important:** Make sure the key-cut side of key lines up facing towards the end of the lever. If the key is inserted incorrectly, the lock will reassemble and might appear to properly work; however, when the key is removed, the latchbolt will remain retracted.

7. Rotate key 90° counterclockwise. Push the lever onto the spindle until fully seated. Pull on lever to insure properly seated.

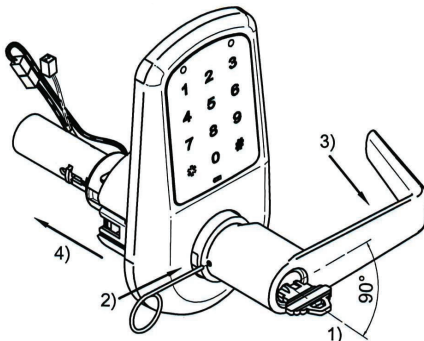




## D. How to change hands (If Required)

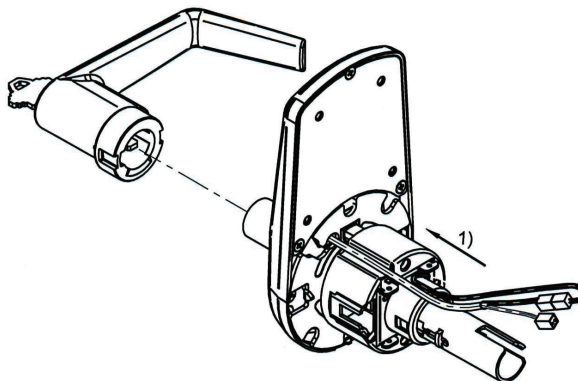
### 1. Remove the Handle & Lockbody.

- 1) Insert key, rotate the key 90 degrees clockwise.
- 2) Depress retainer with tool provided.
- 3) Slide the lever off the lock.
- 4) Slide the lockbody off the escutcheon.



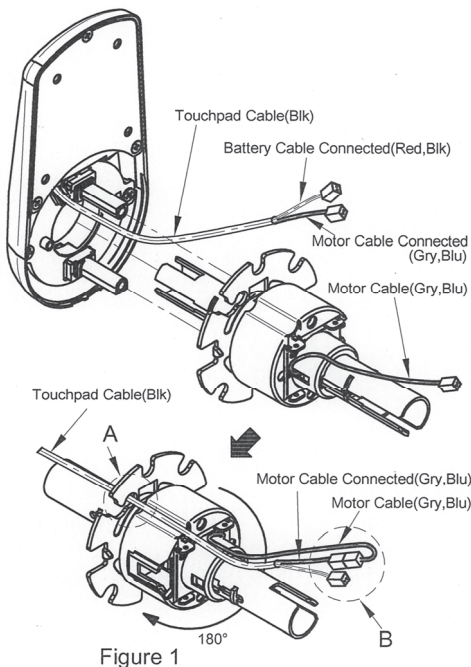
### 3. Assemble the Lockbody with Escutcheon.

- 1) Insert the lockbody into the escutcheon as per the image below.



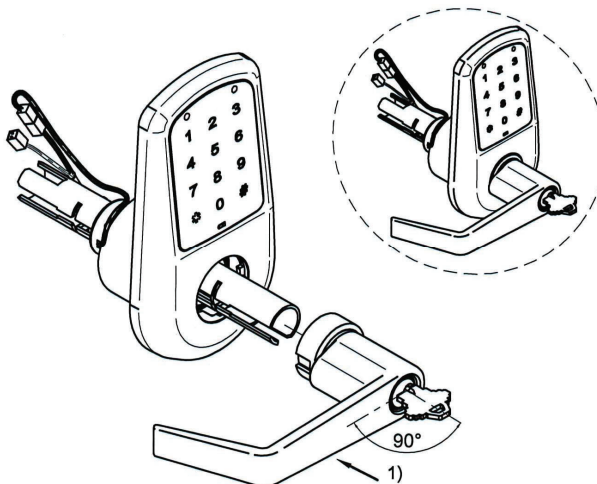
### 2. Rotate the Lockbody.

- 1) Rotate the lockbody 180 degrees clockwise and insert the detached Touchpad cable as "A". Connect Motor cable connected with Motor cable on the lockbody as "B".



### 4. Assemble the Handle.

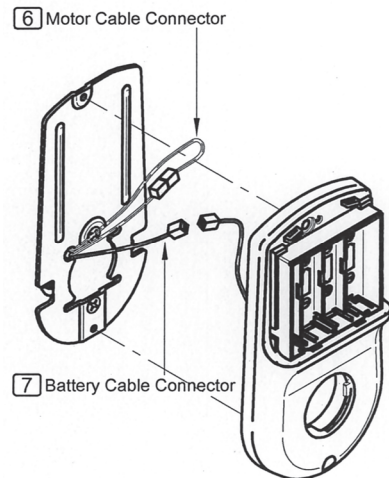
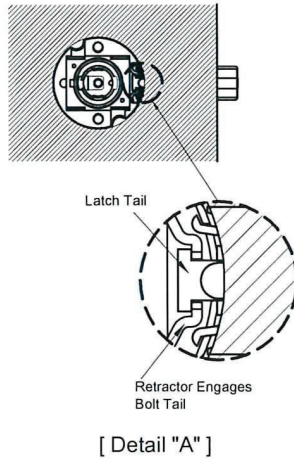
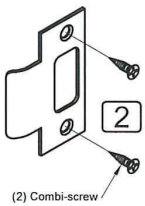
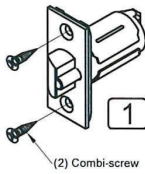
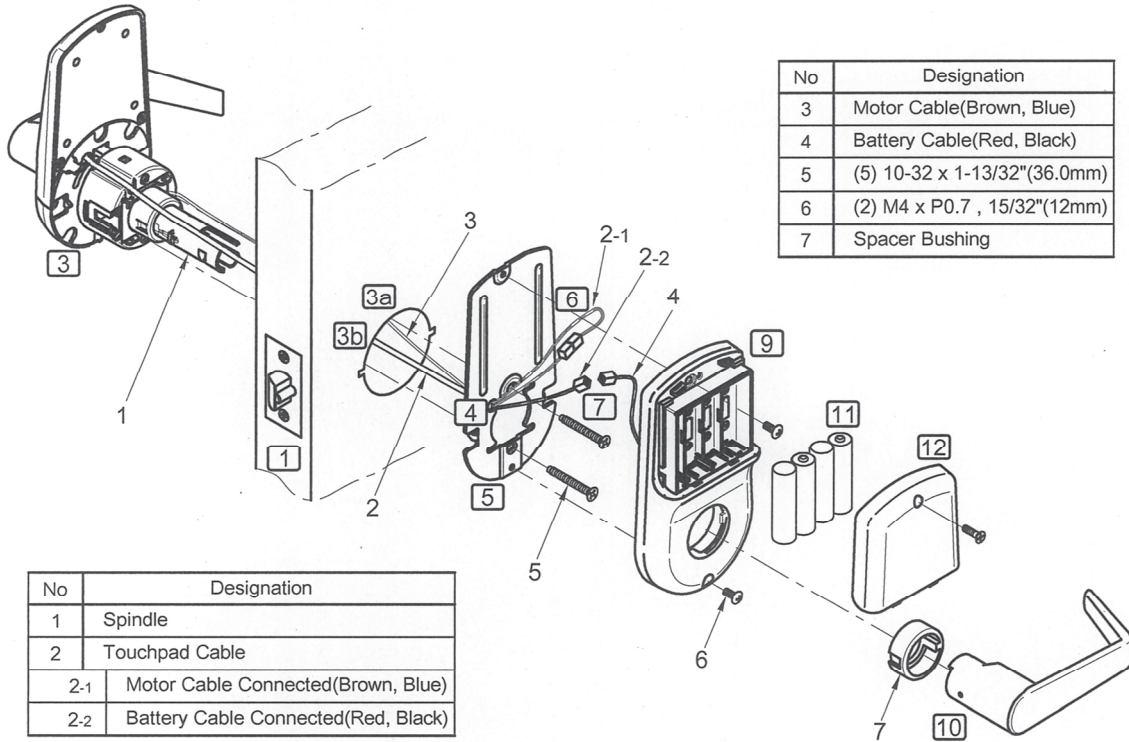
- 1) Push the handle onto the lockbody and rotate key 90 degrees counter clockwise. Push the lever onto the spindle until fully seated. Pull on lever to insure properly seated.



## Step #4 Lock Installation

### Outside Assembly

### Inside Assembly



## PROCEDURES

1. Install latch in door. Be sure that bevel edge of bolt faces strike. Attach with two screws supplied.
2. Install strike on the door frame.
3. Insert outside assembly through door, making sure that the lock body frame hooks latch case and retractor engages bolt tail(s). DO NOT FORCE (See Detail A above). If lock body does not engage latch easily, check door preparation for errors.
  - 3a. Guide motor cable through 2-1/8"(54mm) diameter hole.
  - 3b. Guide touchpad cable through 2-1/8"(54mm) diameter hole.
4. Guide motor cable and touchpad cable through hole on mounting plate.(See above figure.)
5. Slide mounting plate over outside assembly, lining up upper and lower screw guides in holes on outside assembly. Secure both assemblies with (2)10-32×1-13/32" (36mm) mounting plate screws. Do not over-tighten.
6. Attach motor cable connector to the motor cable header.
7. Attach the battery cable connector to the battery cable header.
8. Slide inside escutcheon over mounting plate.

**CAUTION :**

Fold cables and lay against the back recessed area of the inside escutcheon. Position and bend wires to prevent binding when installing the inside escutcheon over the mounting plate.

9. Install and secure inside escutcheon with the (2) M4×P0.7-15/32"(12mm) screws through inside escutcheon and into the mounting plate assembly.
10. Slide inside lever onto spindle and push in to attach.
11. Install (4) AA alkaline batteries into controller compartment being careful to align +/- polarity properly.
12. Install battery cover and tighten screw.

## Step #5 Test Lock Operation

If you encounter problems while performing any of the following tests, review the installation instructions and this guide and correct any problems.

**CAUTION :** DOOR MUST REMAIN OPEN DURING INSTALLATION. USE DOOR STOP.

### Mechanical Test

- A. Rotate the inside lever. Operation should be smooth, and the latch should retract.
- B. Insert the key into keyway and rotate the key to open the door. Operation should be smooth, and the latch should retract.

### Electronic Test

- A. To unlock outside lever.
  1. Touch screen with back of hand or fingers to activate.
  2. Enter factory defaults Master Code [123456] and press the [\*] button.
  3. Outside lever will retract the latch
- B. In case of use with RF Card - refer to Programming Guide.

## HARDWARE TROUBLESHOOTING

### Test the Operation of the Mechanical Lockset

Cycle the lock in both the locked and the unlocked positions. If problems are found:

Symptom	Suggested Action
Door is binding	<ul style="list-style-type: none"> <li>• Check that door and frame are properly aligned and door is free swinging.</li> <li>• Check hinges: They should not be loose or have excessive wear on knuckles.</li> </ul>
Latchbolt will not deadlock	<ul style="list-style-type: none"> <li>• Either strike is out of alignment or the gap between the door and frame is too great.</li> <li>• Realign strike or shim strike out towards flat area of latchbolt.</li> </ul>
Latchbolt does not retract or extend properly	<ul style="list-style-type: none"> <li>• Latchbolt tail and retractor are not properly positioned:                             <ul style="list-style-type: none"> <li>☞ Remove lockset. Look through 2-1/8"(54mm) hole and verify latchbolt tail is centered between top and bottom of hole.</li> <li>☞ Remove latchbolt and insert lockset. Look through latchbolt hole and verify retractor mouth centered in hole. If not, adjust outside mounting rose plate.</li> <li>☞ If necessary, rebore holes to line up retractor and tail.</li> </ul> </li> </ul>

# PROGRAMMING GUIDE

Take the time to read through this guide to familiarize yourself with the features and operation of the lock, and its quick and easy programming procedures.

## TABLE OF CONTENTS

Overview .....	13
Operation of Lock .....	14~15
Programming Features .....	16~18
Programming .....	19~23
Miscellaneous Information .....	23
Glossary .....	24
Troubleshooting .....	25
User PIN Code Record Sheet .....	26

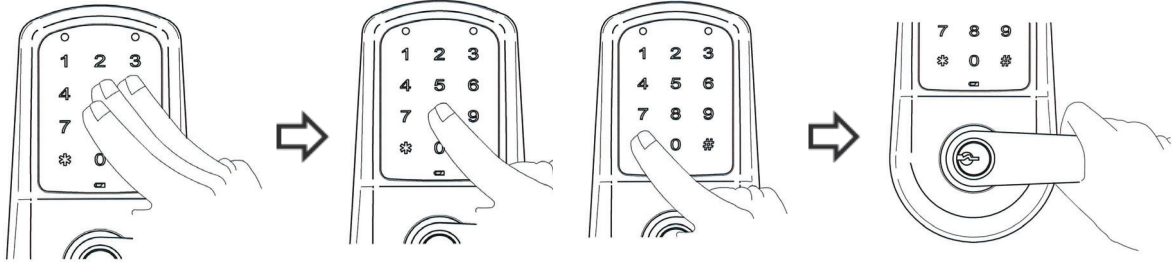
## OVERVIEW

Stand-Alone Access Control System is a series of State-of-the-Art Microprocessor-Based programmable Touchspad-Entry Security Locks.

- User Access Methods
  - ☞ Touchpad Entered User PIN Codes.
  - ☞ Metal Key cylinder.
- User Features
  - ☞ 50 users.
  - ☞ User code length from 4-6 digits.
- Preparing to Program your Lock
  - ☞ At first glance, your new lock may look complicated, but it is in fact designed in a very straightforward way. The keypad contains 12 buttons: numbers 1 through 9 plus zero, a star button [\*] and a pound button [#].
  - ☞ These 12 buttons are all you need to program your lock.
  - ☞ All features can be programmed manually through the touchpad.
  - ☞ This guide will show you how to program your lock manually.
- The lock can be programmed for Passage mode, Lockout mode settings. Auto re-lock time and Beep sound are adjustable and can be changed from factory default.

## OPERATION OF LOCK

### Opening the door with a PIN Code

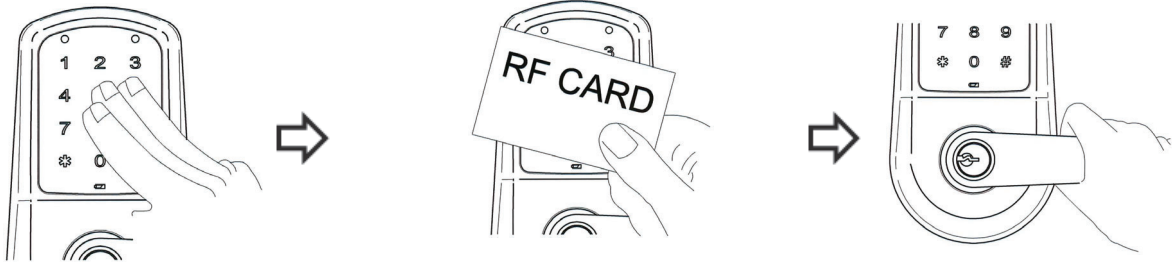


Touch screen with back of hand or fingers to activate.

Enter a registered PIN Code and press [\*] button.

Turn lever to open door.

### Opening the door with a RF Card (optional)



Touch screen with back of hand or fingers to activate.

Place a registered RF Card in front of the touchpad like above figure.

Turn lever to open door.

### Opening the door with a Metal Key

- A. Insert the key into keyway.
- B. Rotate the key to open the door.

## Factory Defaults

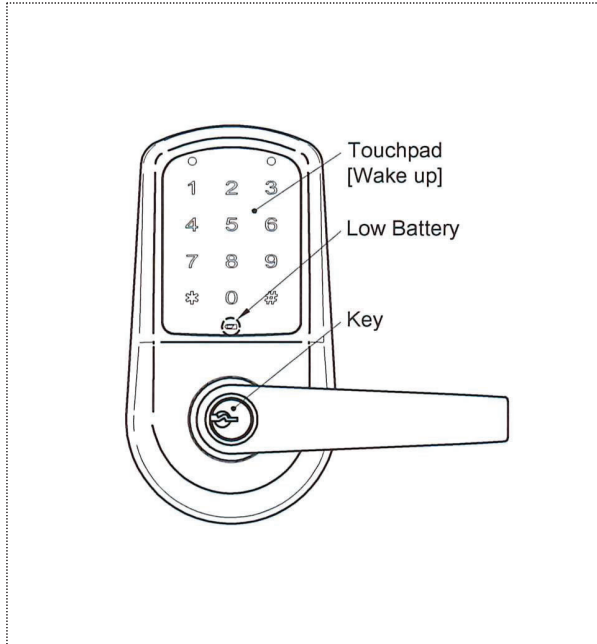
Settings	Factory Defaults
Master PIN Code	123456
Lockout Mode	Unprogrammed
Passage Mode	Unprogrammed
Re-lock Time	5 seconds
Wrong Code Entry Limit	5 times
Shut Down Time	60 seconds
Beep Sound	On

## Scope of Master, User Settings

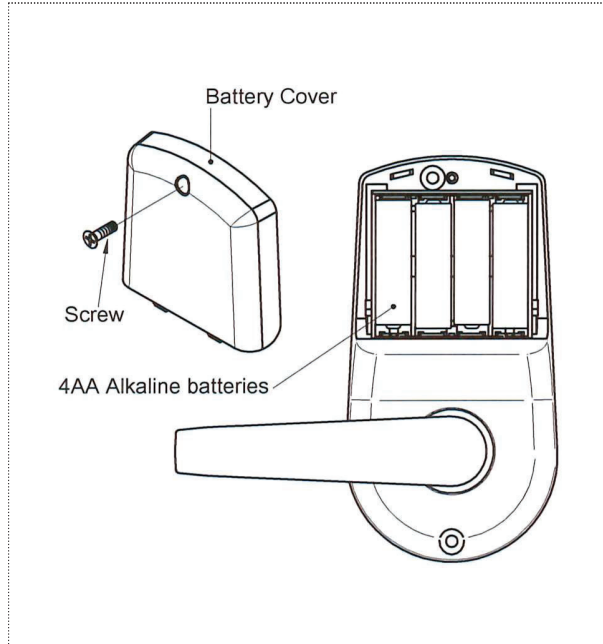
Settings	Master	User
Entrance Authorization	√	√
Register/Change Master PIN Code	√	
Register/Delete User PIN Code	√	
Registering One-time User PIN Code	√	
Setting Up/Releasing Passage Mode	√	
Setting Up/Releasing User Lockout Mode	√	
Delete All User PIN Code	√	
Setting Up the Re-lock Time and Sound	√	
Entrance Authorization at Lockout Mode	√	
Register/Delete RF Card	√	

## PROGRAMMING FEATURES








### Outside



### Inside




## Menu and Icons

Symbols	Description
	Touch screen with back of hand or fingers to activate.
	Press the indicated number buttons.
	Press the [*] button. It is used to complete an input process.
	Press the the [#] button. It is used to enter Programming mode.
	Enter the Master PIN Code (Must be 6 digits in length). <b>[Factory Default: 123456]</b>
	Enter the User PIN Code (4~6 digits in length).
	Low Battery Icon. When battery power is low, the low battery icon will begin blinking.



## To Begin Programming:


The Lock is preset at the factory with Master PIN Code [123456].

- A.  Touch screen with back of hand or fingers to activate.
- B. Entering **1 2 3 4 5 6 \*** will unlock the lock allowing the outside lever to retract the latchbolt.

**Note:** The Master Code must be changed (i.e., “Forced Change”) from the factory default prior to adding users.

## Feature Programming Through Master Code

### Procedure Description

-  Touch screen with back of hand or fingers to activate.
- Step 1. Enter the Master PIN Code and press the **#** button.
- Step 2. Enter Program Code and press the **#** button.
- Step 3. Enter digit corresponding to the function to be performed and press the **#** button.
- Step 4. Press the **#** button to confirm.
- Step 5. Press the **\*** button to complete the process and conclude the Programming session.

### Change Default Master Code Before Programming



### Register User PIN Code



### Delete registered PIN Code except Master PIN Code



### Register One-Time User PIN Code

Hand icon → MstrPIN # → 4 # → Enter One-Time U PIN # → # → \*

### Setting Up/Releasing Passage Mode

Hand icon → MstrPIN # → 5 # → 1 Enable \*

→ 3 Disable \*

☞ Another method to disable Passage Mode: Hand icon → Enter Registered U PIN # → 5 → \*

### Delete All User PIN Code except Master PIN Code

Hand icon → MstrPIN # → 6 # → MstrPIN → \*

### Setting Up/Releasing Lockout Mode

Hand icon → MstrPIN # → 7 # → 1 Enable \*

→ 3 Disable \*

### Setting Up the Sound or Re-lock Time

Hand icon → MstrPIN # → 0 # → 1 Volume ON → \*

2 Volume OFF → \*

3 Re-lock Time # → 1~9 \*

☞ Re-lock Time: 1 to 9 seconds through feature settings. (factory default 5 (five seconds))

### Register RF Card

Hand icon → MstrPIN # → 8 # → Enter the Card Register No. (1-50) # → → Place the RF Card on Touchscreen # → \*

### Delete RF Card

Hand icon → MstrPIN # → 9 # → Enter the Card Register No. (1-50) # → → # → \*

## PROGRAMMING

### Change Default Master Code Before Programming

**Note:** The factory default Master Code must be changed prior to adding users.

 → Default MstrPIN # → 1 # → Enter New MstrPIN # → Enter New MstrPIN # → \*

 Touch screen with back of hand or fingers to activate.

1. Enter the default Master PIN Code **1 2 3 4 5 6** and press the **#** button.  
Green and Red LED blinks.
2. Enter the Program Code **1** and press the **#** button.  
Green and Red LED blinks.
3. Enter the new Master PIN Code and press the **#** button.  
Beep melody with Green LED blinks.
4. Enter the new Master PIN Code again and press the **#** button.  
Beep melody and Number pad blink one time.
5. Press the **\*** button.  
Completes with beep sound.

[For example, if you want your new Master PIN Code to be "258013".

Press:  → **1 2 3 4 5 6** # → **1** # → **2 5 8 0 1 3** # → **2 5 8 0 1 3** # → **\***]

Now that the Master Code has been changed, there is no need to change it again (unless you want to).

### Register User PIN Code

 → MstrPIN # → 2 # → Enter U PIN # → # → \*

 Touch screen with back of hand or fingers to activate.

1. Enter the Master PIN Code and press the **#** button.  
Green and Red LED blinks.
2. Enter the Program Code **2** and press the **#** button.  
Green and Red LED blinks.
3. Enter the new User PIN Code and press the **#** button.  
Beep melody with Green LED blinks.

4. Press the **#** button.  
Beep melody and Number pad blink one time.  
☞ [Repeat steps 3 and 4 for each new user (if necessary).]
5. Press the **\*** button.  
Completes with beep sound.

[For example, John Smith and Jessica are users. You want to register their User PIN Codes "111222" and "223344".

Program the lock by pressing: → MstrPIN # → 2 # → 1 1 1 2 2 2 # → # → 2 2 3 3 4 4 # → # → \*

### Delete registered PIN Code except Master PIN Code

→ MstrPIN # → 3 # → Registered U PIN # → # → \*

- Touch screen with back of hand or fingers to activate.
1. Enter the Master PIN Code and press the **#** button.  
Green and Red LED blinks.
  2. Enter the Program Code **3** and press the **#** button.  
Green and Red LED blinks.
  3. Enter the registered PIN Code and press the **#** button.  
Beep melody with Green LED blinks.
  4. Press the **#** button.  
Beep melody and Number pad blink one time.  
☞ [Repeat step 3 and 4 for delete of another registered PIN Code (if necessary).]
  5. Press the **\*** button again.  
Completes with beep sound.

[For example, You want to delete registered PIN Codes "111222" and "223344".

Program the lock by pressing: → MstrPIN # → 3 # → 1 1 1 2 2 2 # → # → 2 2 3 3 4 4 # → # → \*

### Register One-Time User PIN Code

→ MstrPIN # → 4 # → One-Time U PIN # → # → \*

- Touch screen with back of hand or fingers to activate.

1. Enter the Master PIN Code and press the **#** button.  
Green and Red LED blinks.
2. Enter the Program Code **4** and press the **#** button.  
Green and Red LED blinks.
3. Enter the One-Time User PIN Code and press the **#** button.  
Beep melody with Green LED blinks.
4. Press the **#** button.  
Beep melody and Number pad blink one time.  
☞ [Repeat steps 3 and 4 for each new one-time user (if necessary).]  
☞ You may register up to 2 One-Time User PIN Codes.
5. Press the **\*** button.  
Completes with beep sound.

### Setting Up/Releasing Passage Mode

☞ → **Mstr**PIN **#** → **5** **#** → **1** <sub>Enable</sub> **\***  
→ **3** <sub>Disable</sub> **\***

☞ Touch screen with back of hand or fingers to activate.

1. Enter the Master PIN Code and press the **#** button.  
Green and Red LED blinks.
2. Enter the Program Code **5** and press the **#** button.  
Green and Red LED blinks.
3. Enter the Enable Code **1** or Disable Code **3** and press the **\*** button.  
Completes with beep sound.

Another method to disable Passage Mode: ☞ → **U** PIN **#** → **5** → **\***

### Delete All User PIN Code except Master PIN Code

☞ → **Mstr**PIN **#** → **6** **#** → **Mstr**PIN **#** → **\***

☞ Touch screen with back of hand or fingers to activate.

1. Enter the Master PIN Code and press the **#** button.  
Green and Red LED blinks.
2. Enter the Program Code **6** and press the **#** button.  
Green and Red LED blinks.
3. Enter the Master PIN Code and press the **#** button.

Green and Red LED blinks.

4. Press the button again.  
Completes with beep sound.

## Setting Up/Releasing Lockout Mode

→ MstrPIN # → 7 # → 1<sub>Enable</sub>   
→ 3<sub>Disable</sub>

Touch screen with back of hand or fingers to activate.

1. Enter the Master PIN Code and press the button.  
Green and Red LED blinks.
2. Enter the Program Code and press the button.  
Green and Red LED blinks.
3. Enter the Enable Code or Disable Code and press the button.  
Completes with beep sound.

## Register RF Card

→ MstrPIN # → 8 # → Enter the Card Register No. (1~50) # → Place the Card in front of the Touchpad # →

Touch screen with back of hand or fingers to activate.

1. Enter the Master PIN Code and press the button.  
Green and Red LED blinks.
2. Enter the Program Code and press the button.  
Green and Red LED blinks.
3. Enter the new RF Card Register Number(1~50) and press the button.  
Green and Red LED blinks.
4. Place a RF Card about 2 seconds in front of the touchscreen (hear beep melody and Green LED blinks.) and press the button.  
Beep melody and Number pad blink one time.  
☞ [Repeat step 3 and 4 for each new RF Card Register (if necessary)].
5. Press the button.  
Completes with beep sound.

[For example, you wish to register two RF Cards for User 11 and User 12 respectively.

Press: → MstrPIN # → 8 # → 1 1 # → place the first card in front of the touchscreen (hear beep melody and Number pad blink one time) and then within 20

seconds, **1 2 #** → place the second card in front of the touchscreen (hear beep melody and Number pad blink one time) **# → \***]

## Delete RF Card

 → **Mstr**PIN **# → 9 # →** Enter the Card Registered No. (1-50) **# → # → \***

 Touch screen with back of hand or fingers to activate.


1. Enter the Master PIN Code and press the **#** button.  
Green and Red LED blinks.
2. Enter the Program Code **9** and press the **#** button.  
Green and Red LED blinks.
3. Enter the delete card number (registered number) and press the **#** button.  
Beep melody and Green LED blinks.
4. Press the **#** button.  
Beep melody and Number pad blink one time.  
☞ [Repeat steps 3 and 4 for delete of another card number(if necessary)].
5. Press the **\*** button.  
Completes with beep sound.

[For example, you wish to delete two RF Cards for User 11 and User 12 respectively.

Press:  → **Mstr**PIN **# → 9 # → 1 1 # → # → 1 2 # → # → \***]

## MISCELLANEOUS INFORMATION

### Returning the Lock to Factory Defaults

1. Open the battery cover using a screw driver and remove the batteries.
2. After 10 seconds reinsert the batteries.
3.  Touch screen with back of hand or fingers to activate within 5 seconds.
4. Enter the **[#]** button 5 times and factory defaults Master Code **[123456] [#]** and **30 [#]** and press the **1 [\*]** button.

**# # # # # → 1 2 3 4 5 6 # → 3 0 # → 1 \***

5. A little later, the number pad is turned off and reset is complete.

**Note:**

All registered Master and User PIN Code data, etc., will be deleted, and the lock will reset to the factory default.

## Battery Replacement

When battery power is low, the low battery icon will begin blinking with beep sound. Always replace weak batteries as soon as possible. The locks use four (4) AA-size 1.5 volt alkaline batteries.

## GLOSSARY

**Wake Up:** Touch screen with back of hand or fingers to activate. Enter the PIN Code while the number pad is illuminated.

**Master PIN Code:** The Master PIN Code is used for programming User codes and feature settings. The Master PIN Code will operate the lock. The Master PIN Code is a factory default setting.

**User PIN Code:** The User PIN code is used for operating the lock.

**One-Time User PIN Code:** This PIN Code can only be used once and the PIN information is deleted automatically after use. User can program in up to 2 different One-Time User PIN Codes.

**Passage Mode:** Enabling Passage Mode allows continuous entry for non-restricted traffic. Passage Mode is enabled or disabled through feature programming by either the Master PIN Code.

**Lockout Mode:** This feature is enabled by either the Master PIN Codes. When enabled, it restricts all User PIN Code access except Master PIN Codes.

**Low Battery:** When battery power is low, the low battery icon will begin blinking. If battery power is completely lost, the key and cylinder can be used.

**Re-lock Time:** After successful code entry and the unit unlocks, it will automatically re-lock after a default of five (5) seconds. Re-lock time is adjustable from one (1) to nine (9) seconds through feature settings.

**Shut Down Time:** The unit will shut down for a default of sixty (60) seconds and not allow operation after the wrong code entry limit has been met. Shut down time is factory default settings.

**Wrong Code Entry Limit:** After a default of five (5) unsuccessful attempts at entering a valid PIN Code the unit will shut down and not allow operation. Wrong code entry limit is a factory default setting.



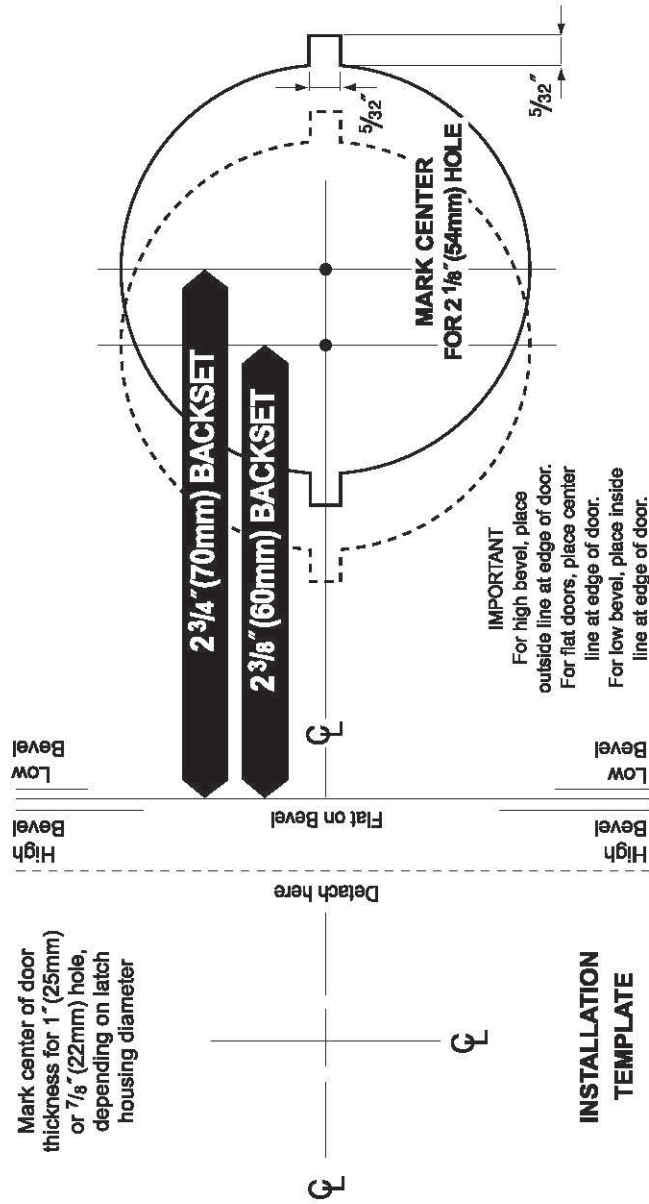
## TROUBLESHOOTING

Symptom	Suggested Action
There is no power.	<ul style="list-style-type: none"> <li>• Check if the batteries are faulty or in the correct polarity.</li> <li>• Check if the batteries are inserted properly or completely discharged.</li> </ul>
I can't change the Master PIN Code.	<ul style="list-style-type: none"> <li>• There was a delay while entering the new Master PIN Code. The number pad must be illuminated while the new Master PIN Code is being entered. Also, after entering the first digit the next digit must be entered within 10 seconds.</li> <li>• If batteries are discharged, try again after replacing the batteries.</li> <li>• Refer to the changing the Master PIN Code section in the programming instructions and try changing again.</li> </ul>
I can't change the User PIN Code.	<ul style="list-style-type: none"> <li>• Another PIN Code is already registered.</li> <li>• If the PIN Code is less than 4 digits or over 6 digits in length, change it to be within 4~6 digits and register again.</li> </ul>
I entered registered PIN Code and pressed the [*] button, but the door won't open.	<ul style="list-style-type: none"> <li>• Check that the registered PIN Code was entered correctly.</li> <li>• If the number pad illumination is turned off while entering the PIN Code, the button input is not registered. Touch screen with back of hand or fingers to activate and enter PIN Code again. (The number pad illumination is turned off automatically if there is no input within 10 seconds.)</li> </ul>
The door won't lock automatically when I close it.	<ul style="list-style-type: none"> <li>• Check if Passage mode is set. If the door opens just by turning the handle on the inside assembly down without any input on the lock, it means the Passage mode is enabled.</li> <li>• If the door doesn't lock automatically when Passage mode is disabled, then the lock has been installed incorrectly. Contact a digital lock outlet and have the lock reinstalled.</li> </ul>
The lock issues the low voltage warning sound when I activate the lock.	<ul style="list-style-type: none"> <li>• The sound indicates that it is time to replace the batteries. Replace with new batteries within a week.</li> </ul>
Lock does not respond – door is locked and inaccessible.	<ul style="list-style-type: none"> <li>• Batteries may be completely discharged.</li> <li>• Use mechanical key to gain entry and replace batteries.</li> </ul>
The unit is on for a while, and then shows no reaction. Lights dim.	<ul style="list-style-type: none"> <li>• The batteries do not have enough power. Replace the batteries.</li> </ul>

**USER CODE RECORD SHEET**

User Number	User Name	User PIN Code (4~6 digits)	RF Card registered No.

※ We recommend placing this record sheet in a safe and secure place.



Template for Door Prep.