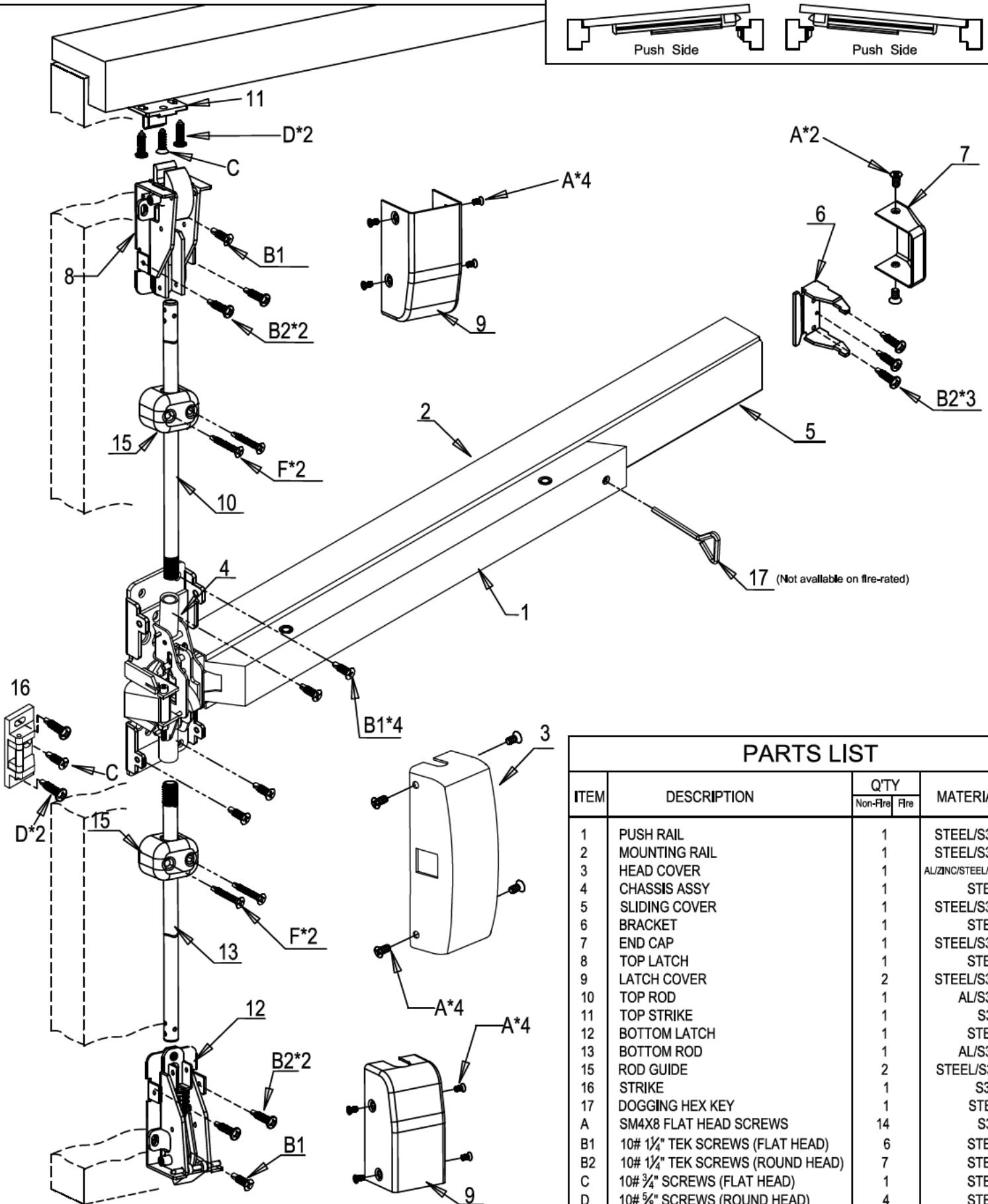
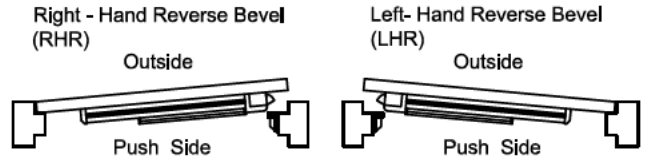


INSTALLATION INSTRUCTIONS FOR 98-3PT SVR EXIT DEVICE

※ The screws (item C & D), attach both machine & TEK screws (for wood door installation). And Item B1 & B2 changed to TEK screws (self-drilling screws) since 2014, May.

Determine handing of door



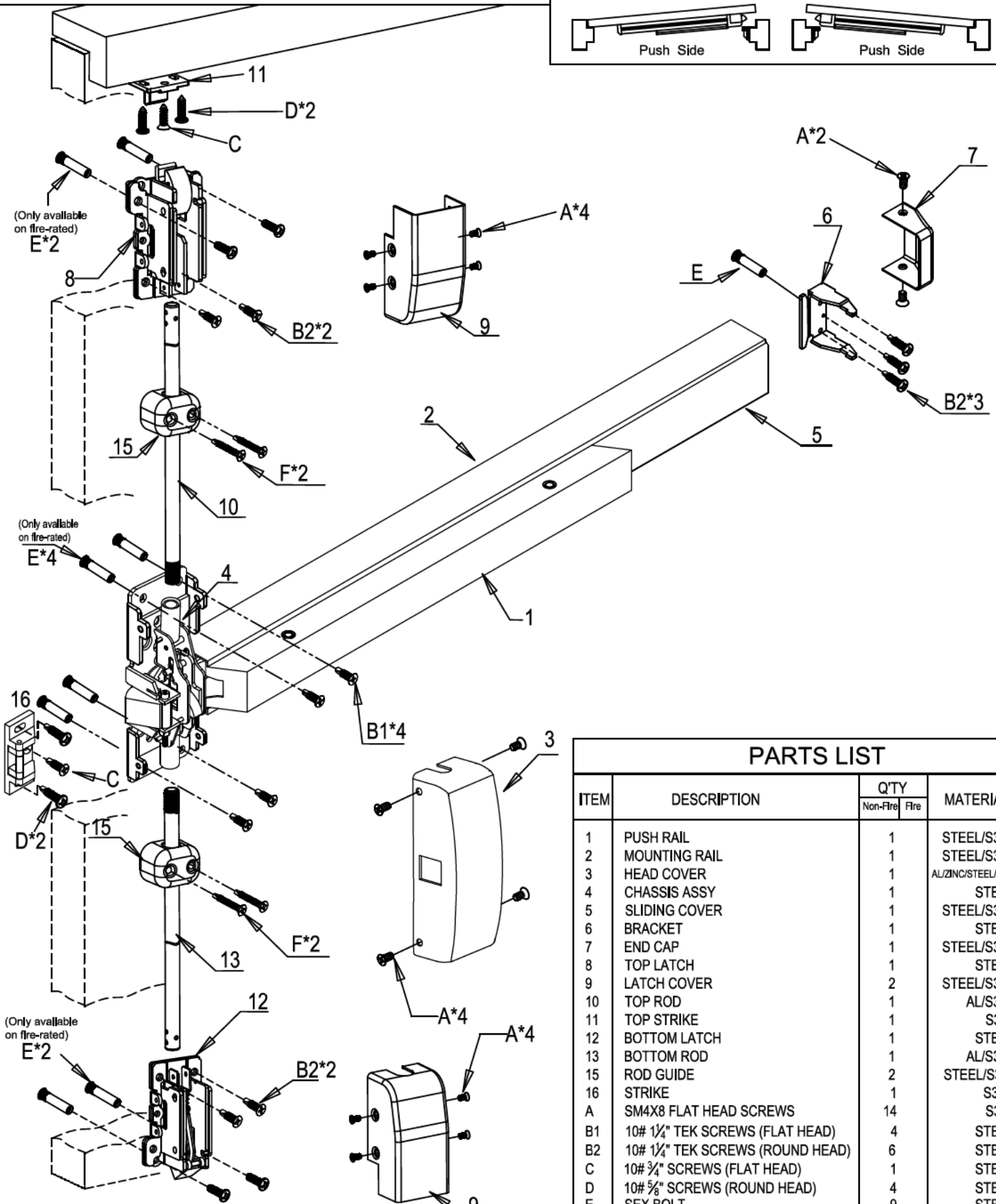
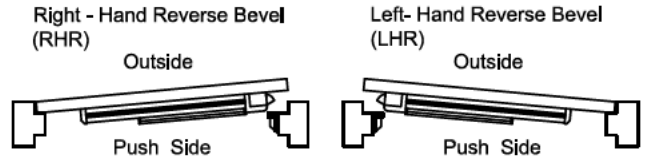
PARTS LIST

ITEM	DESCRIPTION	QTY		MATERIAL
		Non-Fire	Fire	
1	PUSH RAIL	1		STEEL/S304
2	MOUNTING RAIL	1		STEEL/S304
3	HEAD COVER	1		AL/ZINC/STEEL/S304
4	CHASSIS ASSY	1		STEEL
5	SLIDING COVER	1		STEEL/S304
6	BRACKET	1		STEEL
7	END CAP	1		STEEL/S304
8	TOP LATCH	1		STEEL
9	LATCH COVER	2		STEEL/S304
10	TOP ROD	1		AL/S304
11	TOP STRIKE	1		S304
12	BOTTOM LATCH	1		STEEL
13	BOTTOM ROD	1		AL/S304
15	ROD GUIDE	2		STEEL/S304
16	STRIKE	1		S304
17	DOGGING HEX KEY	1		STEEL
A	SM4X8 FLAT HEAD SCREWS	14		S304
B1	10# 1/4" TEK SCREWS (FLAT HEAD)	6		STEEL
B2	10# 1/4" TEK SCREWS (ROUND HEAD)	7		STEEL
C	10# 3/4" SCREWS (FLAT HEAD)	1		STEEL
D	10# 3/8" SCREWS (ROUND HEAD)	4		STEEL
F	10# 2" TEK SCREWS (FLAT HEAD)	4		STEEL

INSTALLATION INSTRUCTIONS FOR F98-3PT SVR EXIT DEVICE

※ The screws (item C & D), attach both machine & TEK screws (for wood door installation). And Item B1 & B2 changed to TEK screws (self-drilling screws) since 2014, May.

Determine handing of door



PARTS LIST

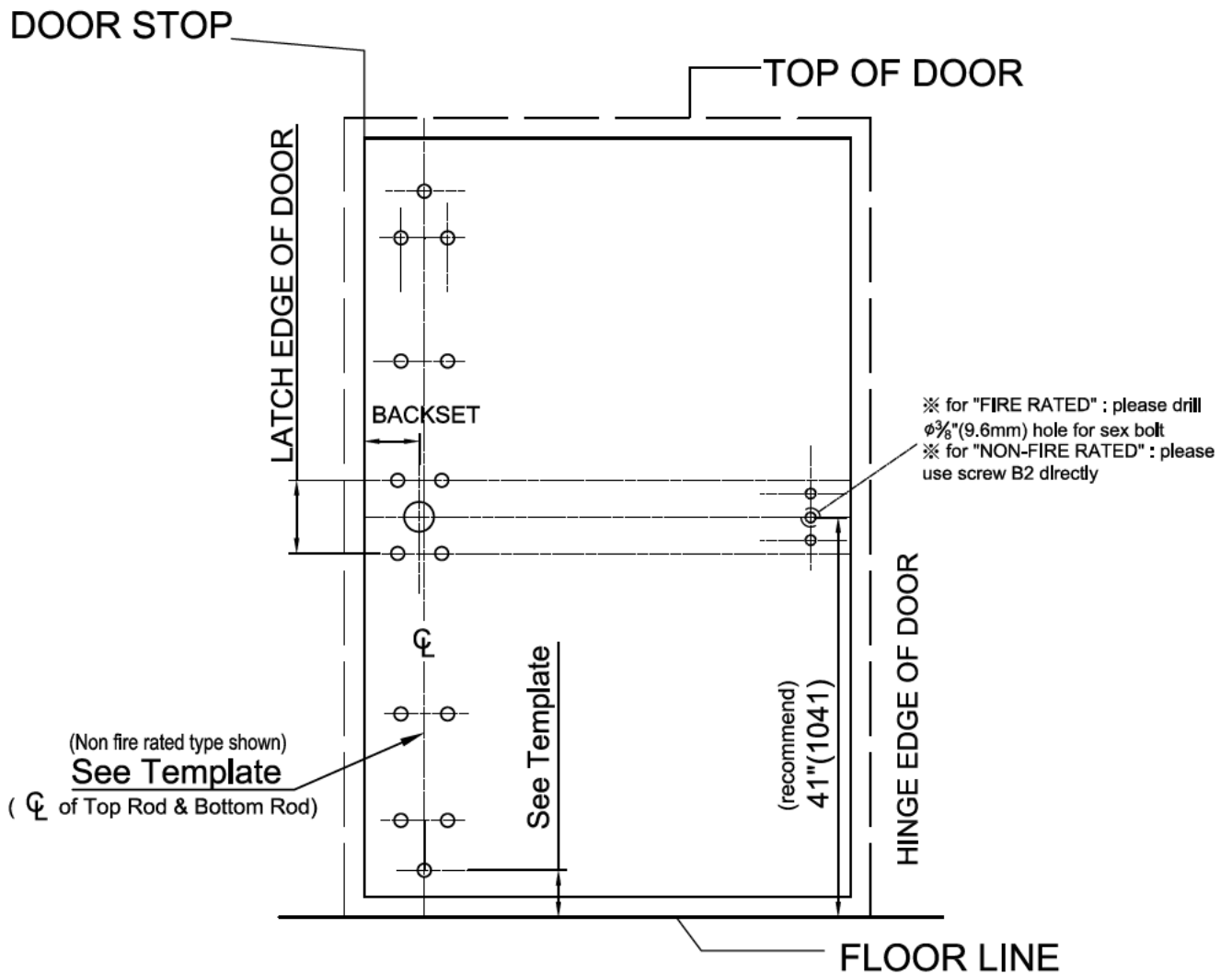
ITEM	DESCRIPTION	Q'TY		MATERIAL
		Non-Fire	Fire	
1	PUSH RAIL	1		STEEL/S304
2	MOUNTING RAIL	1		STEEL/S304
3	HEAD COVER	1		AL/ZINC/STEEL/S304
4	CHASSIS ASSY	1		STEEL
5	SLIDING COVER	1		STEEL/S304
6	BRACKET	1		STEEL
7	END CAP	1		STEEL/S304
8	TOP LATCH	1		STEEL
9	LATCH COVER	2		STEEL/S304
10	TOP ROD	1		AL/S304
11	TOP STRIKE	1		S304
12	BOTTOM LATCH	1		STEEL
13	BOTTOM ROD	1		AL/S304
15	ROD GUIDE	2		STEEL/S304
16	STRIKE	1		S304
A	SM4X8 FLAT HEAD SCREWS	14		S304
B1	10# 1/4" TEK SCREWS (FLAT HEAD)	4		STEEL
B2	10# 1/4" TEK SCREWS (ROUND HEAD)	6		STEEL
C	10# 3/4" SCREWS (FLAT HEAD)	1		STEEL
D	10# 3/8" SCREWS (ROUND HEAD)	4		STEEL
E	SEX BOLT	9		STEEL
F	10# 2" TEK SCREWS (FLAT HEAD)	4		STEEL

STEP 1: MARK CENTER LINES

Mark Center Lines on INSIDE of door .Establish the horizontal center line of the device by drawing a line across the door 41" (1041mm) above floor line . Establish the top and bottom rod backset center line by drawing a vertical line from the top to bottom of the door measuring from the DOOR STOP. After marking & drilling, please install pushbar according to its marked location. With establishment of pushbar, then go for next step of other installations.

Regularly furnished unless ordered separately.

INSIDE OF LHR DOOR IS ILLUSTRATED

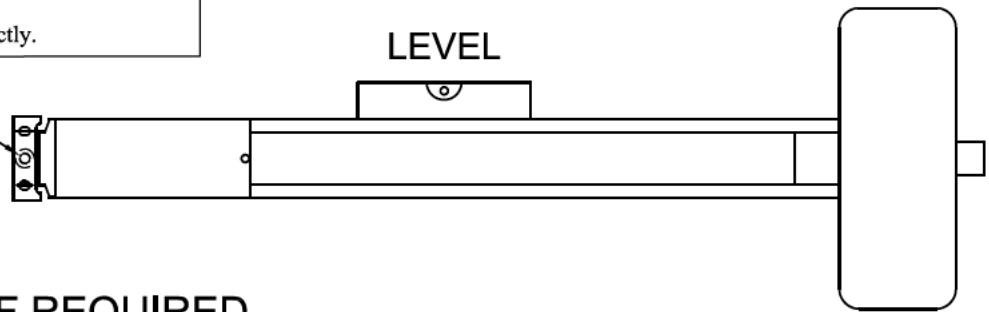


STEP 2: INSTALL DEVICE & CUT DEVICE IF REQUIRED

2A. INSTALL DEVICE

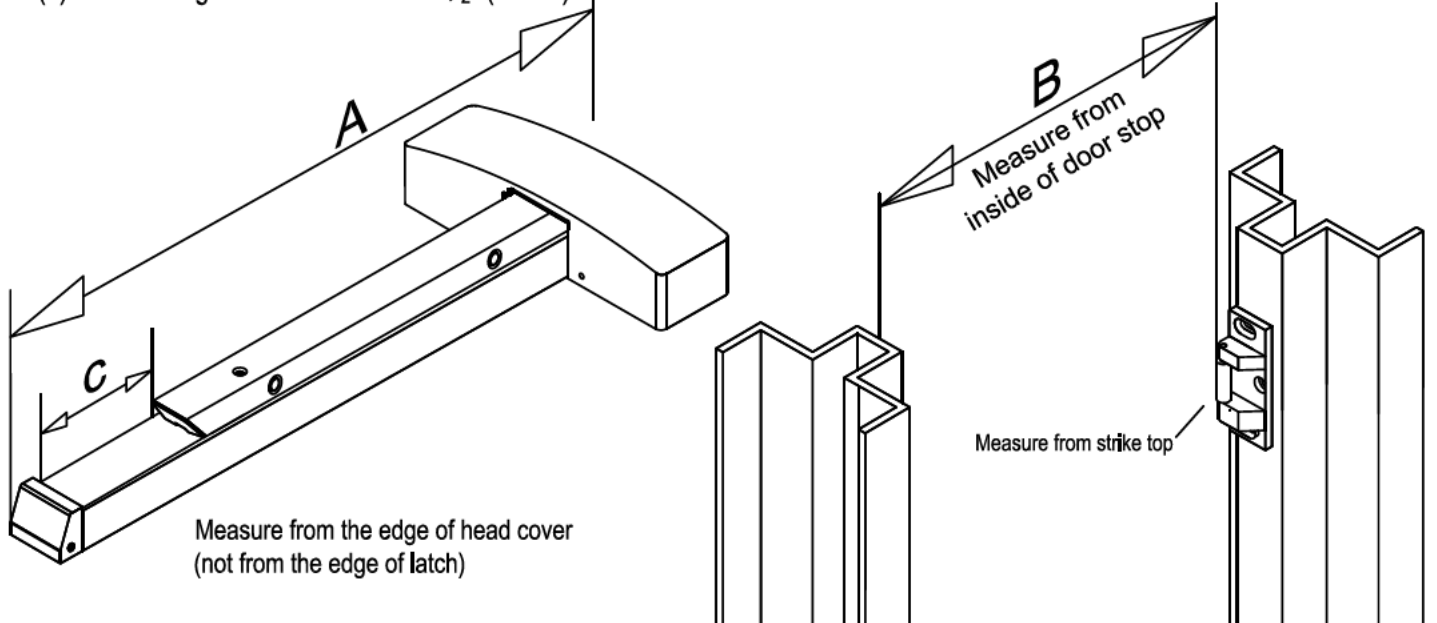
- (1) Take off head cover and put device horizontally at the door. Fix screws (B1) on chassis but DO NOT tighten them at this step.
- (2) Install bracket with screw (B2). Be sure to remain device being horizontal and then tighten all screws.
- (3) Install end cap & Install head cover after STEP 9.

- ※ for "FIRE RATED":
please drill $\phi \frac{3}{8}$ " (9.6mm) hole for sex bolt (E).
- ※ for "NON-"FIRE-RATED":
please use screw (B2) directly.



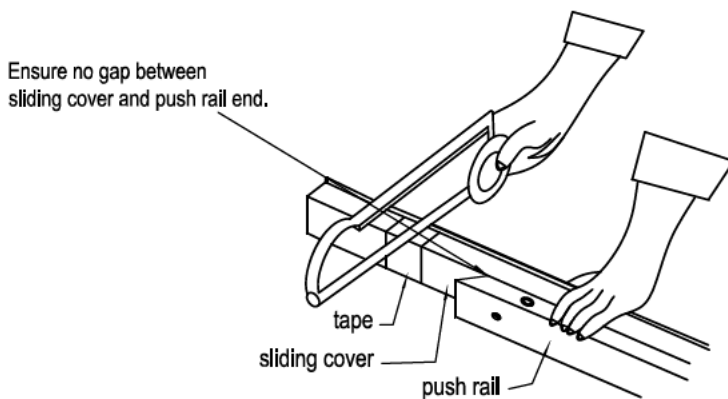
2B. CUT DEVICE IF REQUIRED

- (1) Device length A must be at least $1\frac{1}{2}$ " (38mm) shorter than B.

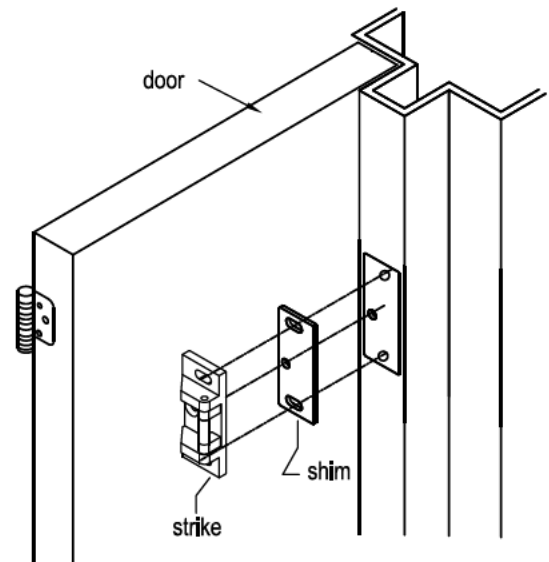


- (2) If required, cut length C, so A is at least $1\frac{1}{2}$ " (38mm) shorter than B.

- (3) Standard Door Stop is $\frac{5}{8}$ " (15.9mm). Install $\frac{1}{8}$ " (3mm) strike shim if required.

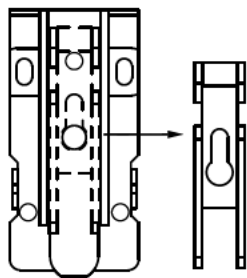
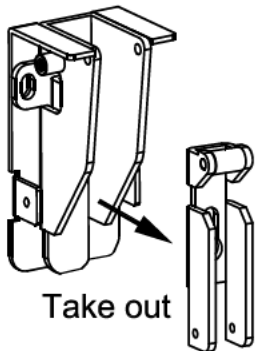


NOTE : the minimum length of the sliding cover must be 1" (25.4mm) or longer than length "C".

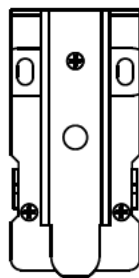
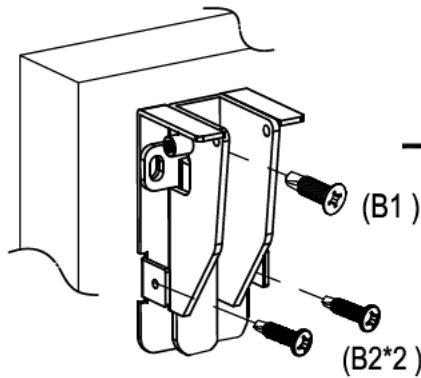


STEP 3: PREPARE TOP LATCH & INSTALL TOP LATCH

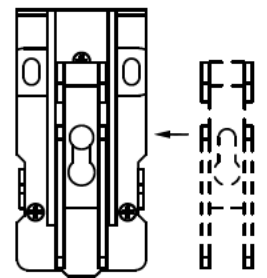
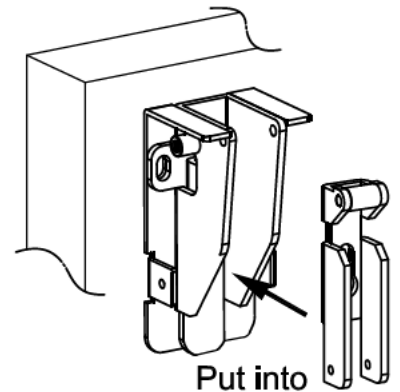
(1) Take out the Linkage from the top latch case.



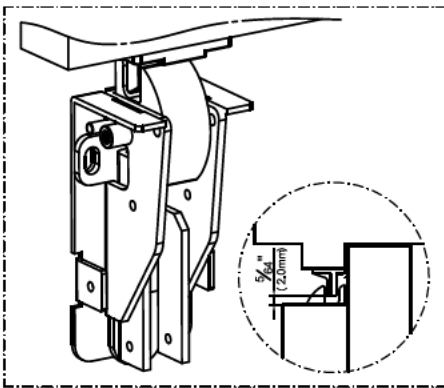
(2) Follow TEMPLATE to install top latch with two screws (B2) then screw (B1).



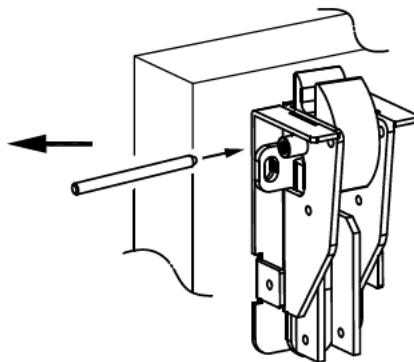
(3) Put the Linkage Into the top latch case.



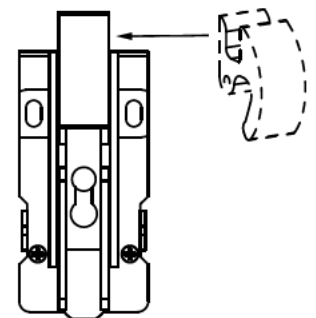
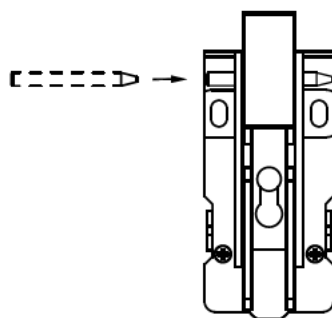
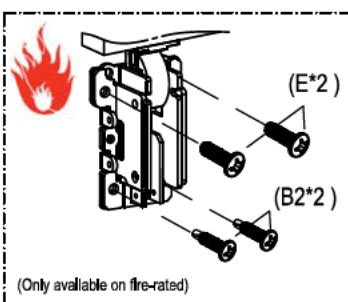
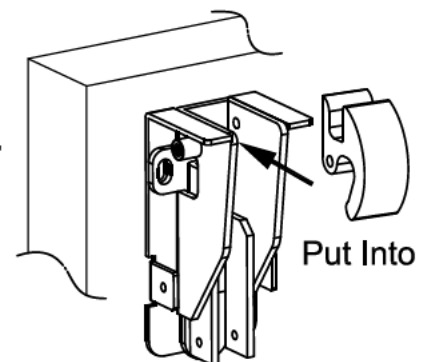
(6) Follow TEMPLATE to install top strike. Adjust the Proper gap between top latch and strike which is about $\frac{5}{64}$ " (2.0mm).



(5) Insert the Pin through the latch case and Top Latch.



(4) Put the Top Latch into the top latch case.

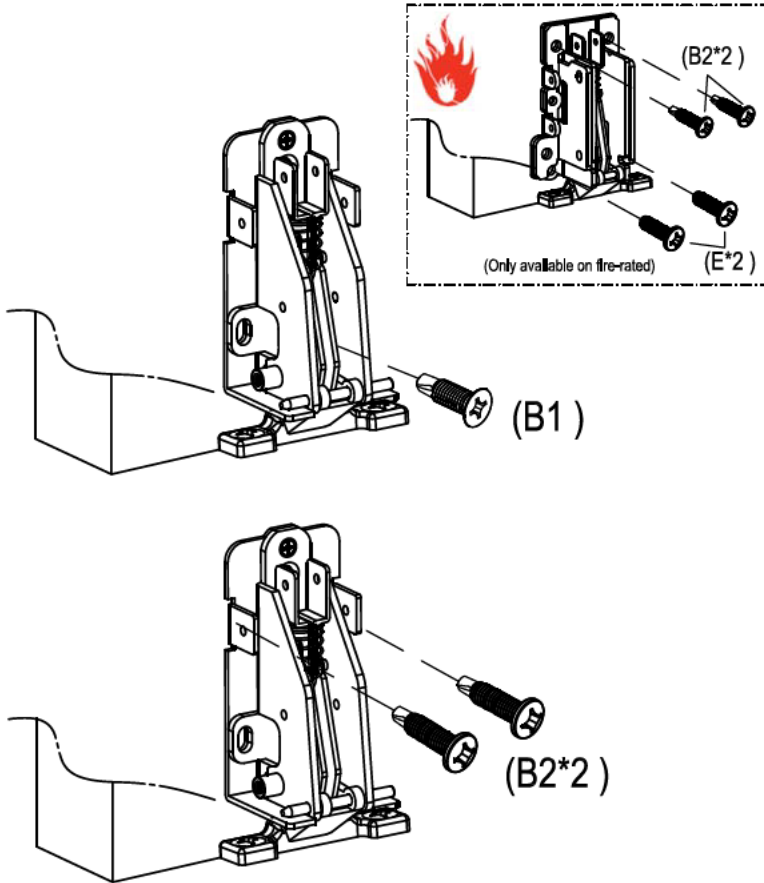


STEP 4: PREPARE BOTTOM LATCH & INSTALL BOTTOM LATCH

Prepare Bottom Latch and Mark by TEMPLATE for later installation .

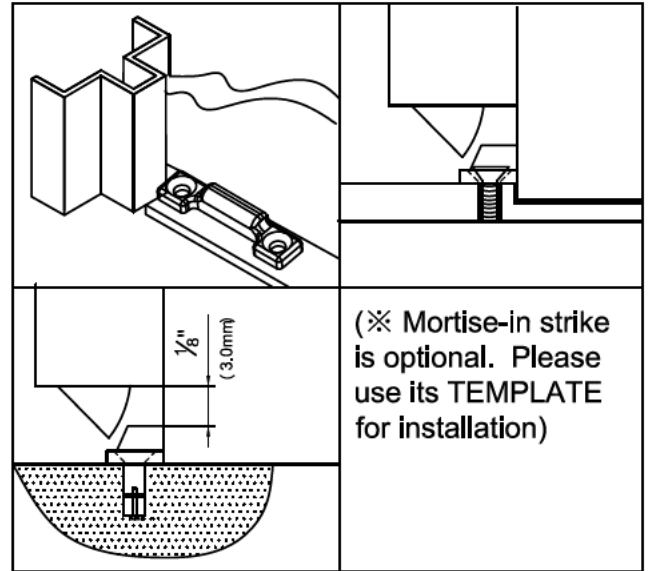
Follow TEMPLATE to install bottom latch with two screws(B2).

(DO NOT TIGHTEN screws (B2) firmly)



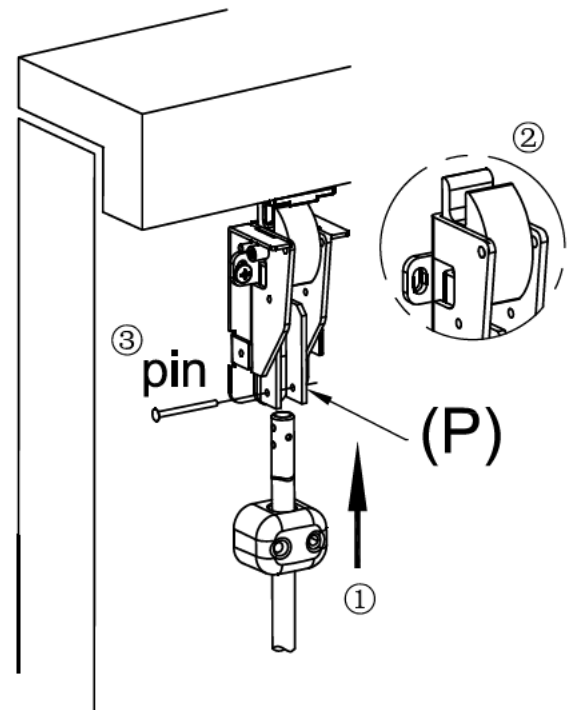
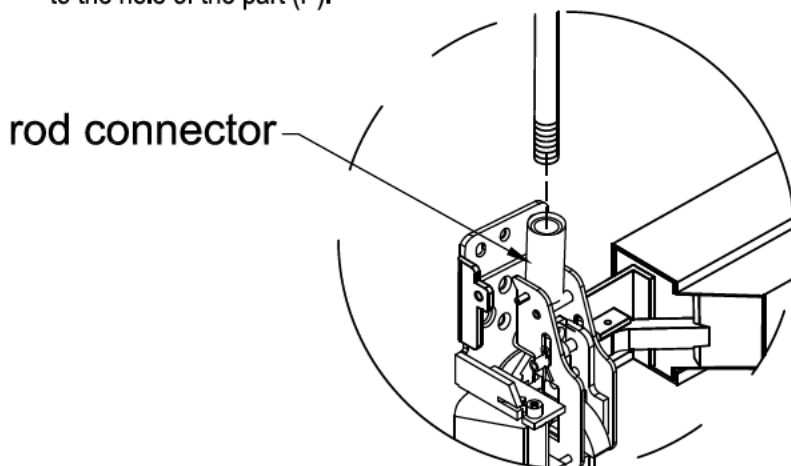
STEP 5: INSTALL BOTTOM STRIKE

Follow TEMPLATE to install bottom strike. Adjust the proper gap between bottom latch and strike which is about $\frac{1}{8}$ " (3.0mm), tighten screw (B2) firmly and then screw (B1).



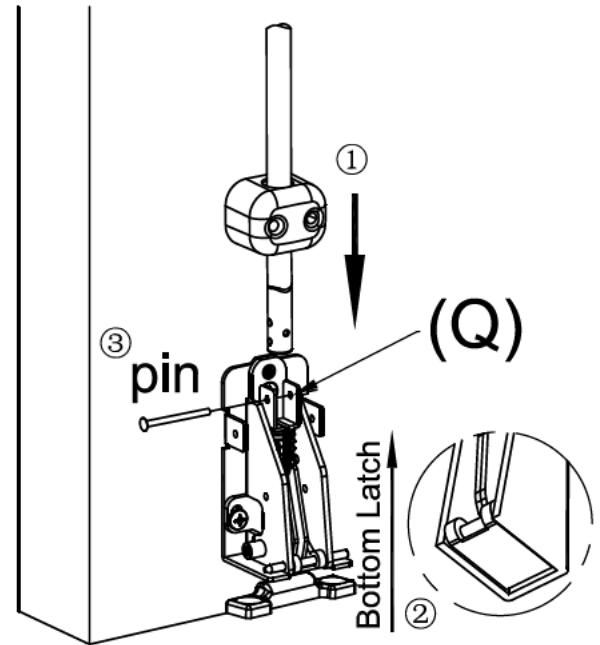
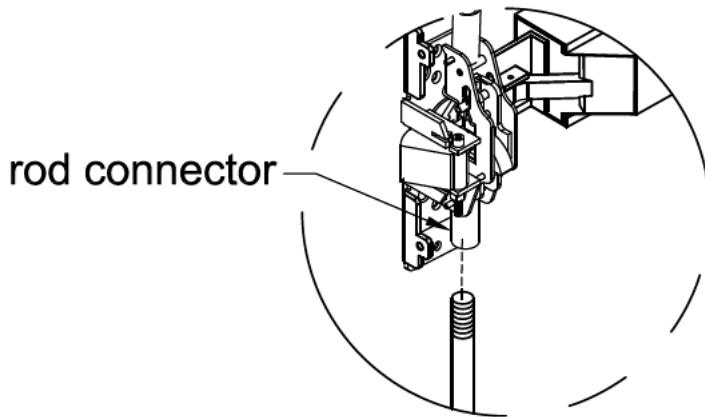
STEP 6: INSTALL & ADJUST TOP ROD

The rod length can be adjusted by the thread of the rod, adjust the correct length when door is in the closed position, by aiming the rod to the hole of the part (P).



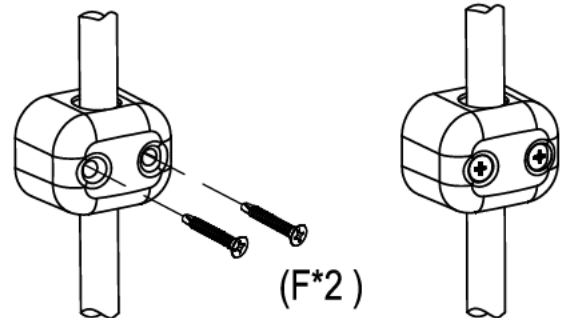
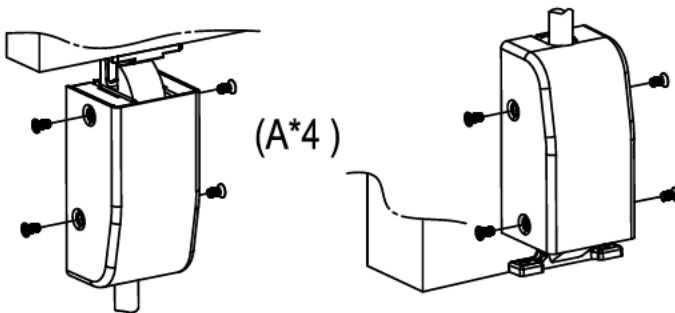
STEP 7: INSTALL & ADJUST BOTTOM ROD

The rod length can be adjusted by the thread of the rod, adjust the correct length when door is in the opened position, by aiming the rod to the hole of the part (Q).



STEP 8: INSTALL LATCH COVERS & ROD GUIDE

- (1) Install latch covers and fix/tighten them with screws (A).
- (2) Put rod guide midway between head cover and latch. Then, fix & tighten rod guide with screws (F).



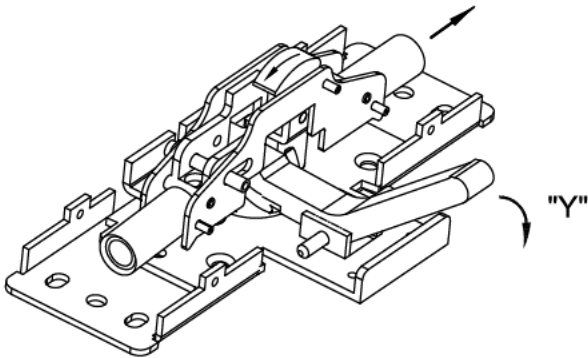
STEP 9: TEST PUSH RAIL & THE DOGGING FUNCTION

1. The latches should engage the strikes when the door is closed. If the door can be pushed to open without depressing the push rail, please check the rod length and installation (see step 3)
2. The latches should disengage from the strikes freely when the push rail is depressed or dogged down. If not, please check the rod length/installation again (see step 3)
3. When applying outside trims:
 - (1). No trims : Exit only, latch bolts are retracted just by the push rail inside.
 - (2). Entrance : latch bolts are retracted by trim outside after the trim unlocked.
 - (3). Storeroom : latch bolts are retracted by trim outside with key only.
 - (4). Passage : latch bolts are retracted by trim outside always open.
4. Dogging: Use dogging hex key and turn clockwise 90° when depressing push rail. Latch bolts will remain retracted.

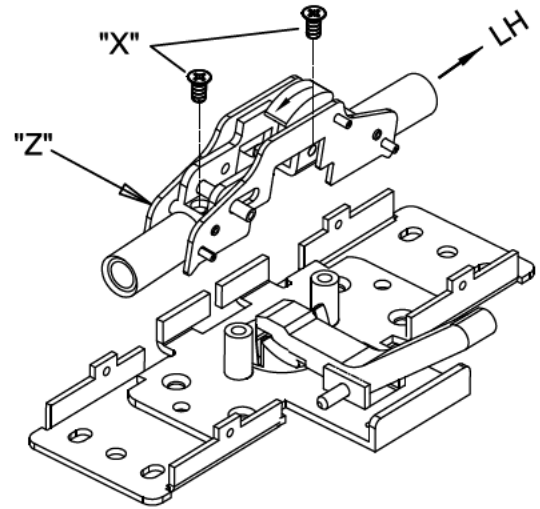
STEP 10: CHANGE HANDING OF DEVICE

TO CHANGE HANDING OF DEVICE (FOR EXAMPLE: FROM LHR to RHR)

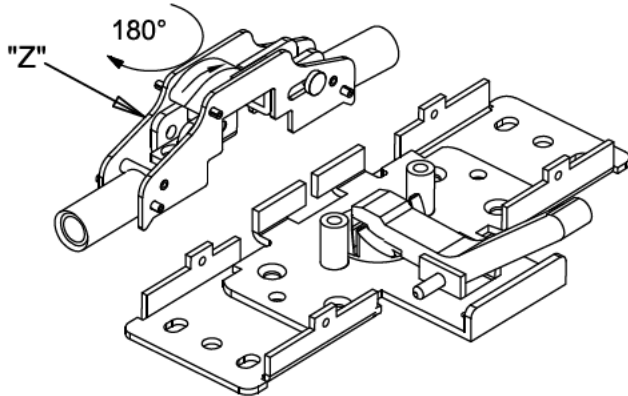
(LHR)



Press Lift Arm "Y" and ensure the direction before changing.

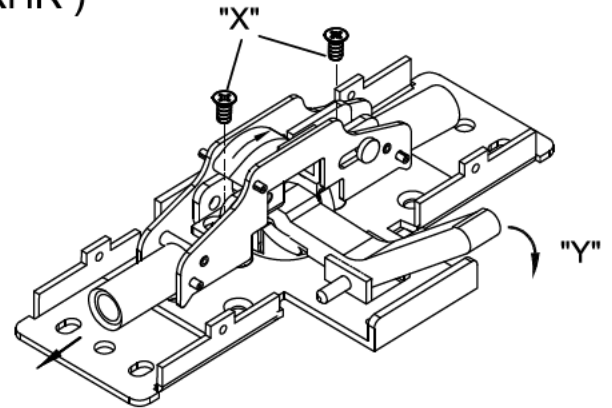


Unscrew "X" and take off "Z".



Turn "Z" 180° and put it back as figure shown.

(RHR)



Fasten "X" at above screw hole position. Press Lift Arm "Y" to ensure the processing direction is reversed.

TEMPLATE OF CA9800 & CAF9800 RIM DEVICE (1:1)

FOLD THIS LINE AND PLACE THIS EDGE AGAINST FACE OF DOOR STOP

BACKSET $2\frac{1}{4}"$ (57.2mm)

$1\frac{17}{32}"$ (39mm)

FOR SEX BOLT, DRILL $\frac{3}{8}"$ (9.6mm) *4 HOLE OUTSIDE

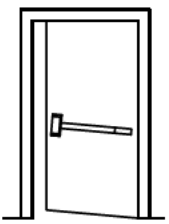
FOR LEVER TRIM VERTICAL THRU-BOLT MOUNTING

FOR EXTERIOR ACCESS BY LEVER/KNOB TRIM DRILL $2\frac{1}{8}"$ (54mm) DIA. HOLE

FOR EXTERIOR ACCESS BY RIM CYLINDER DRILL $1\frac{1}{2}"$ (31.8mm) DIA. HOLE

(LHR)

41" (1041mm) FROM FINISHED FLOOR TO CENTER LINE OF PUSH RAIL



LHR

TAPPED 12# HOLES*3

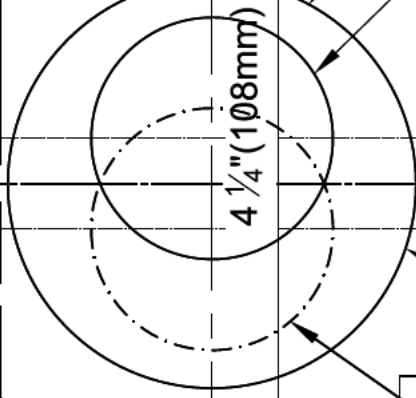
1" (25.4mm)

$2\frac{3}{8}"$ (60.2mm)

LINE UP WITH $\frac{1}{8}"$ MARKED ON DOOR

$6\frac{21}{32}"$ (169mm)

$2\frac{3}{4}"$ (70mm)

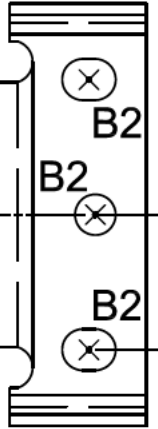


This mounting hole is NO NEEDED, if there is NO OUTSIDE TRIM applied!

FOR EXTERIOR ACCESS BY RIM CYLINDER DRILL $1\frac{1}{2}"$ (31.8mm) DIA. HOLE

(RHR)

41" (1041mm) FROM FINISHED FLOOR TO CENTER LINE OF PUSH RAIL



RHR

$4\frac{5}{64}"$ (17.9mm)

For Security Plate

DO NOT drill these two(2) holes on door, if the outside trim is not needed to be fixed by them.

B1

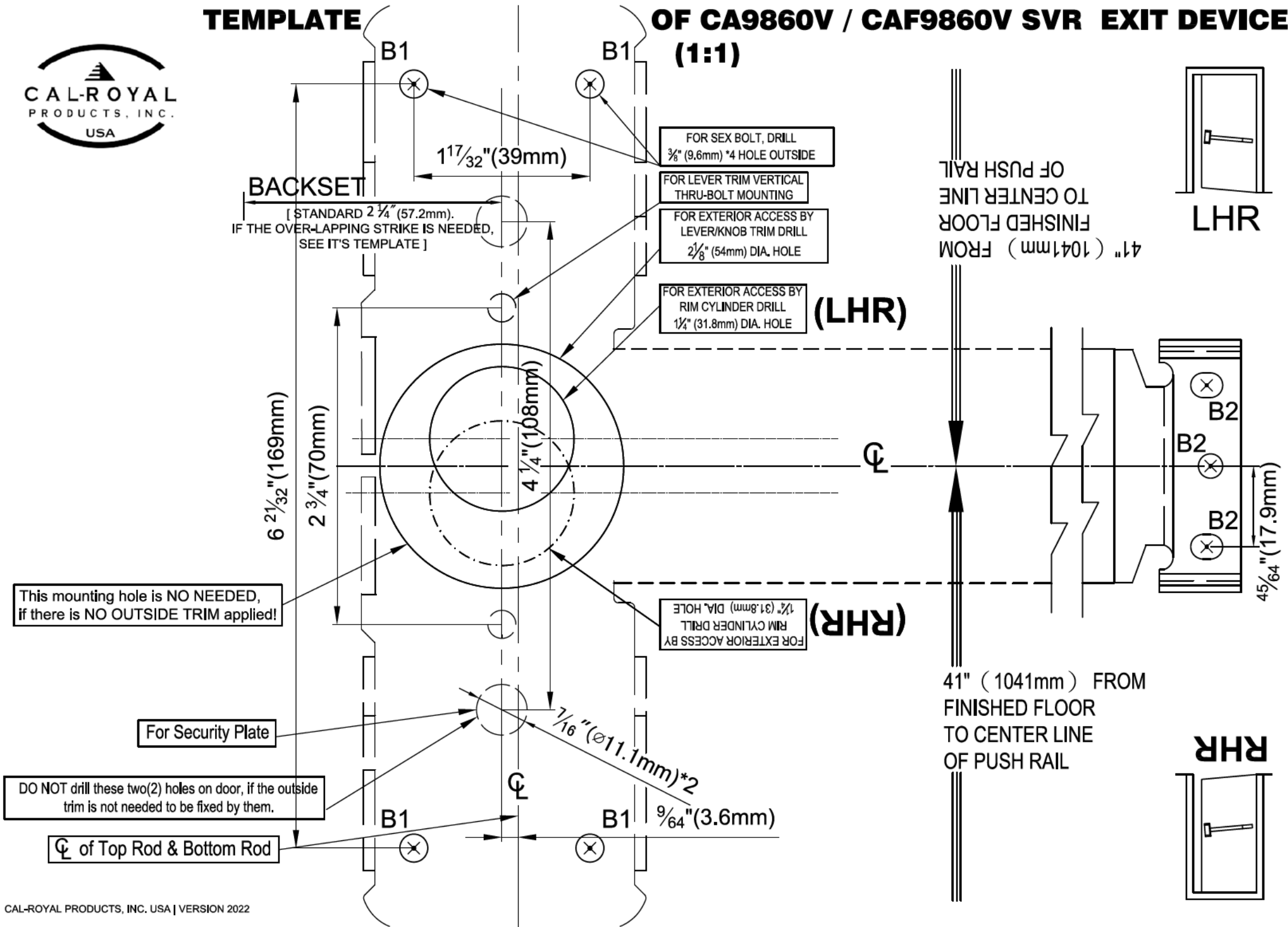
B1

$\frac{1}{16}"$ (1.1mm)*2



TEMPLATE

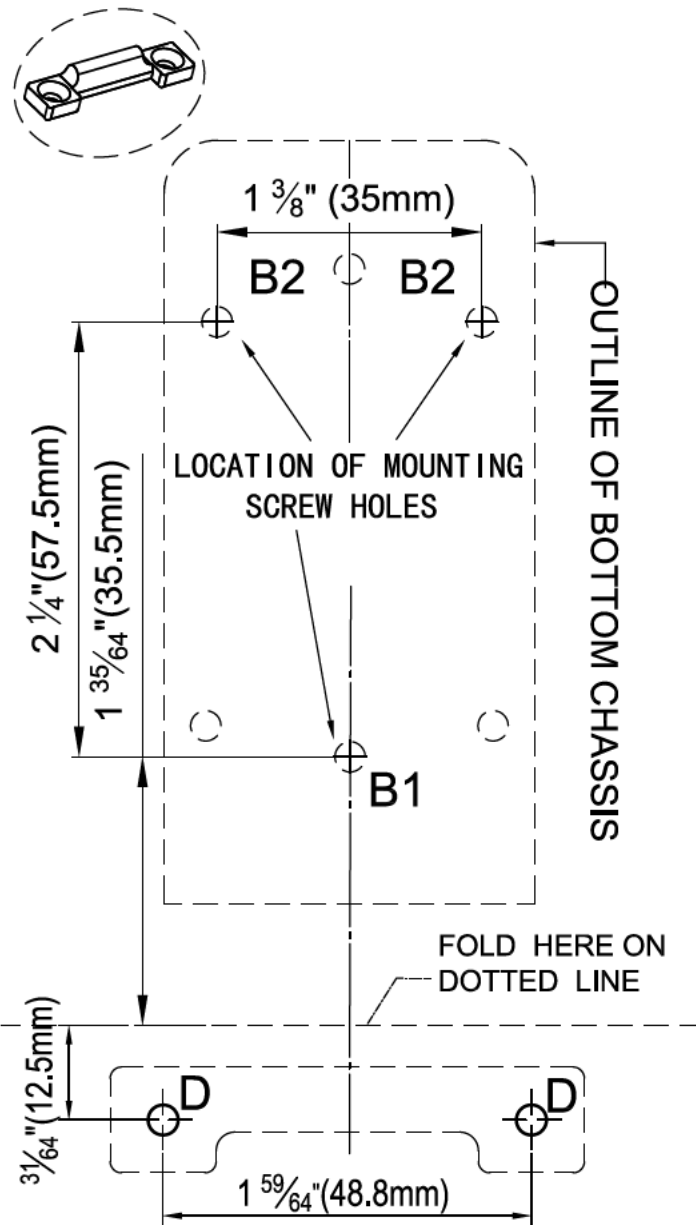
OF CA9860V / CAF9860V SVR EXIT DEVICE (1:1)



TEMPLATE of Bottom LATCH (1:1)

【Handicap Strike (Optional use)】

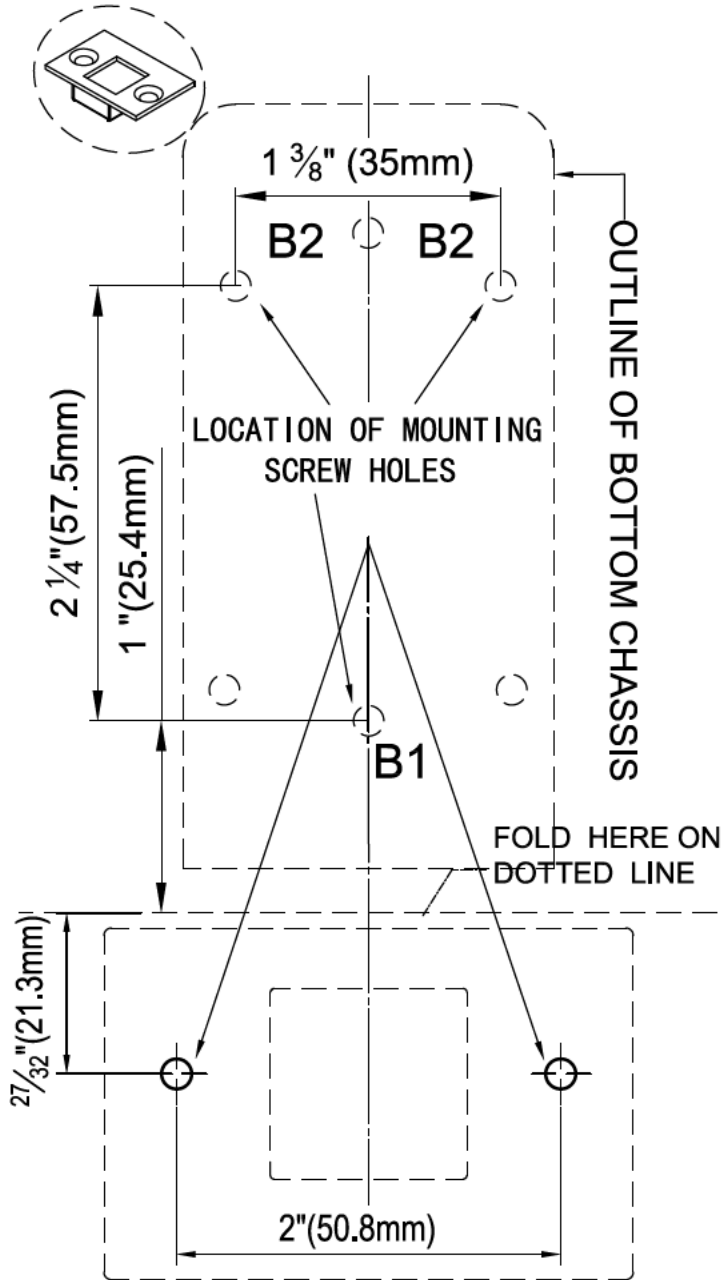
*** FOR NON-FIRE RATED ONLY**



TEMPLATE of Bottom LATCH (1:1)

【Mortise in Strike (Optional use)】

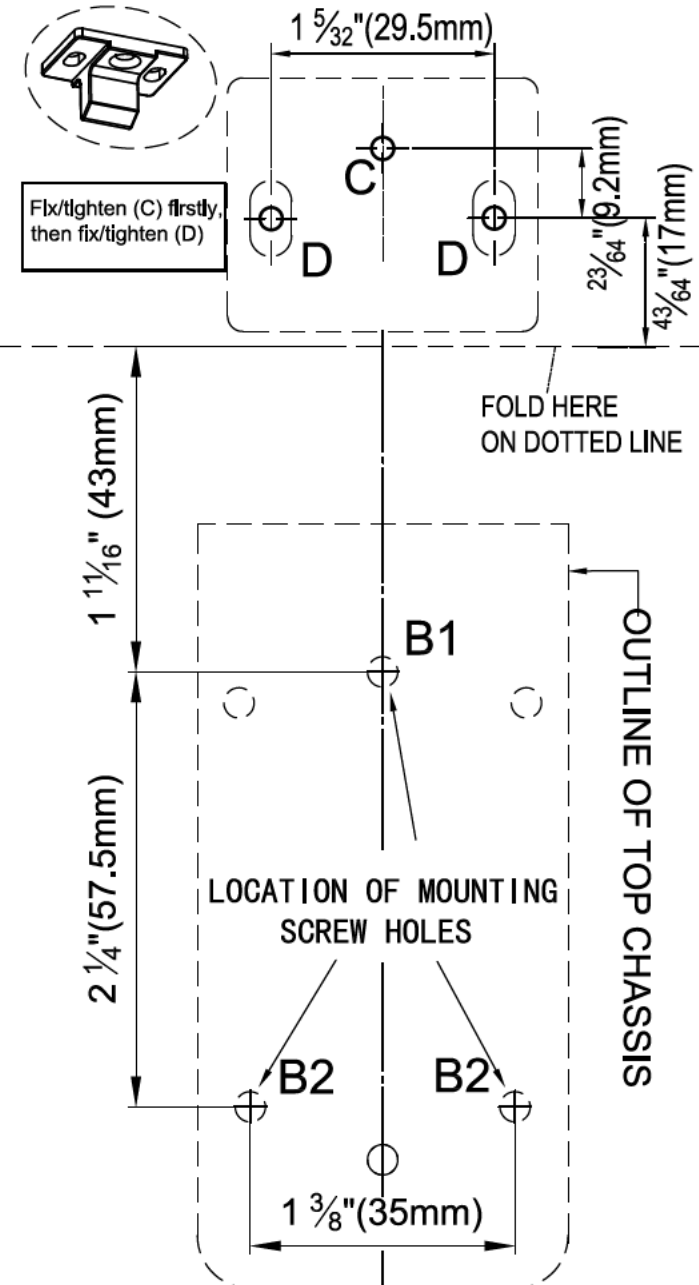
*** FOR NON-FIRE RATED ONLY**



TEMPLATE of Top LATCH (1:1)

【Top Strike (regular use)】

*** FOR NON-FIRE RATED ONLY**

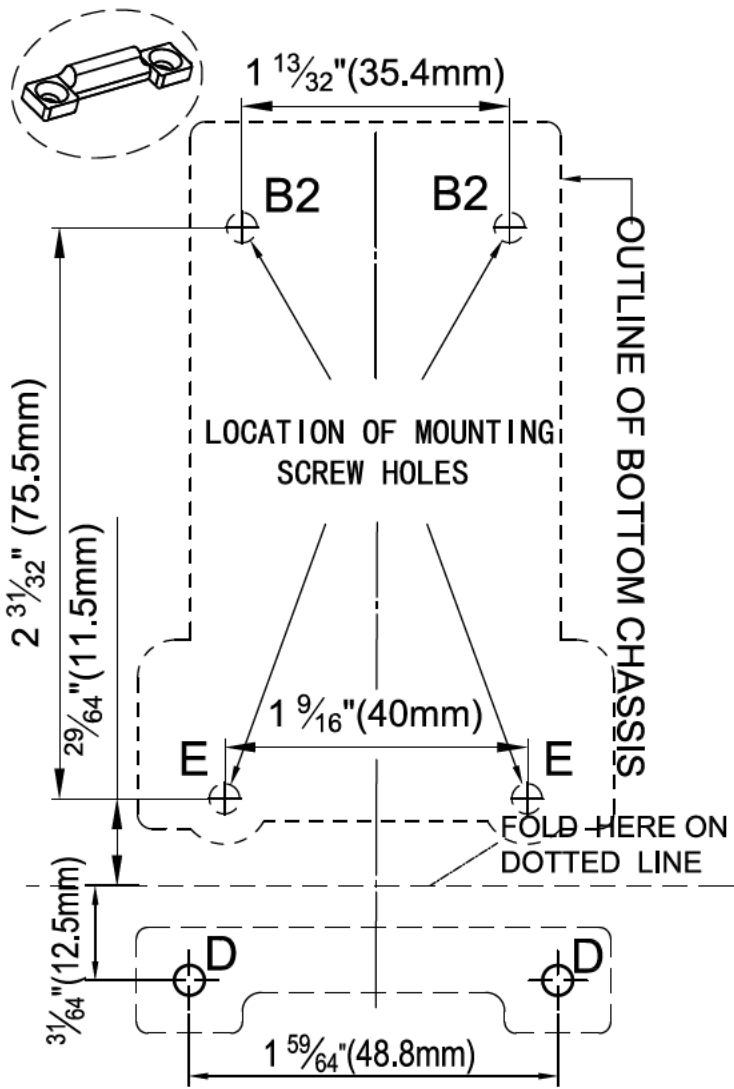


TEMPLATE of Bottom LATCH (1:1)

【Handicap Strike (Optional use)】



*** FOR FIRE RATED ONLY**

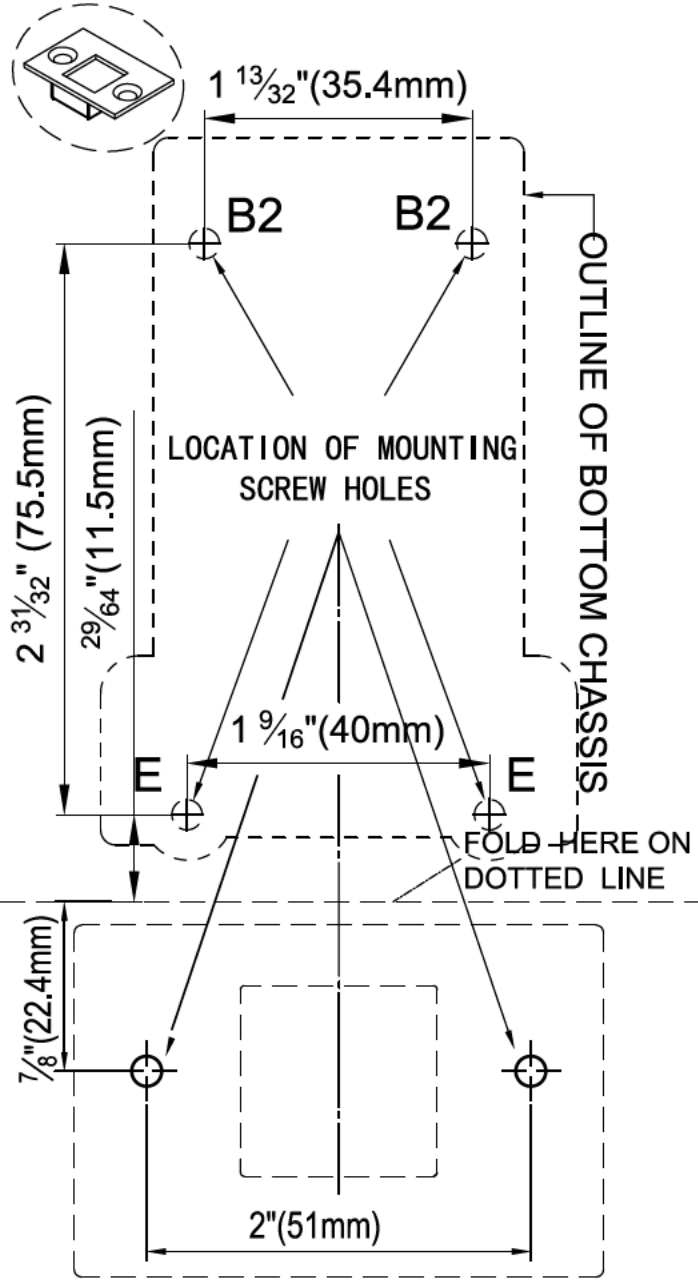


TEMPLATE of Bottom LATCH (1:1)

【Mortise in Strike (Optional use)】



*** FOR FIRE RATED ONLY**



TEMPLATE of Top LATCH (1:1)

【Top Strike (regular use)】



*** FOR FIRE RATED ONLY**

