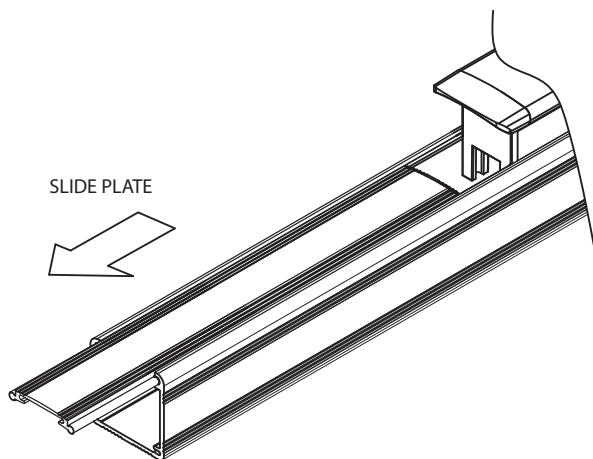
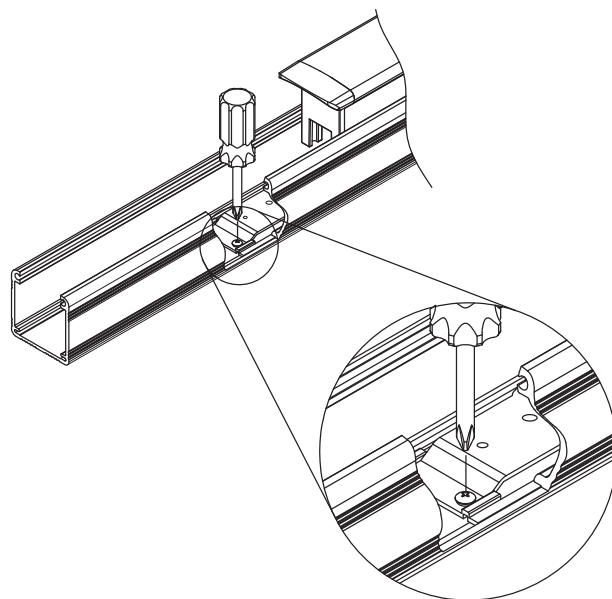


# 7700 Exit Device, conversion from fire to non-fire rated device.

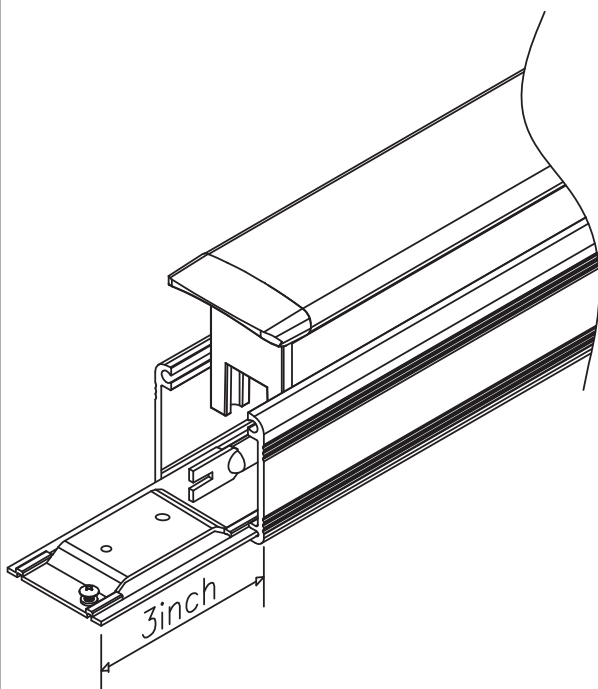
1. SLIDE OUT COVER/SLIDE PLATE.



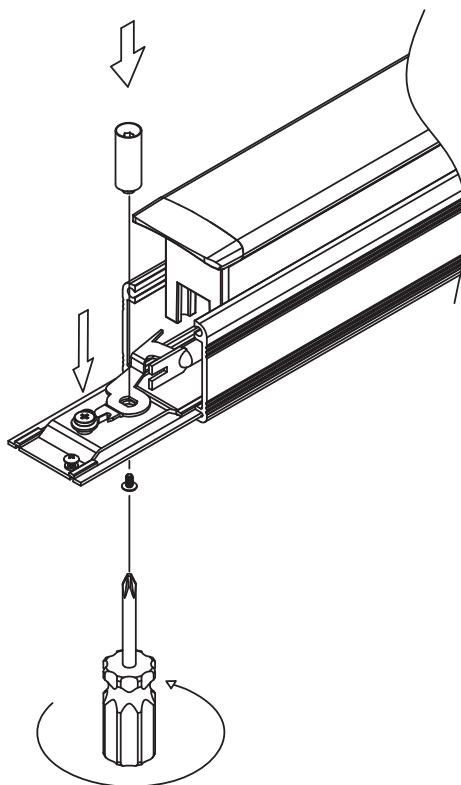
2. UNFASTEN THE SCREW THAT SECURES THE PUSH PAD.



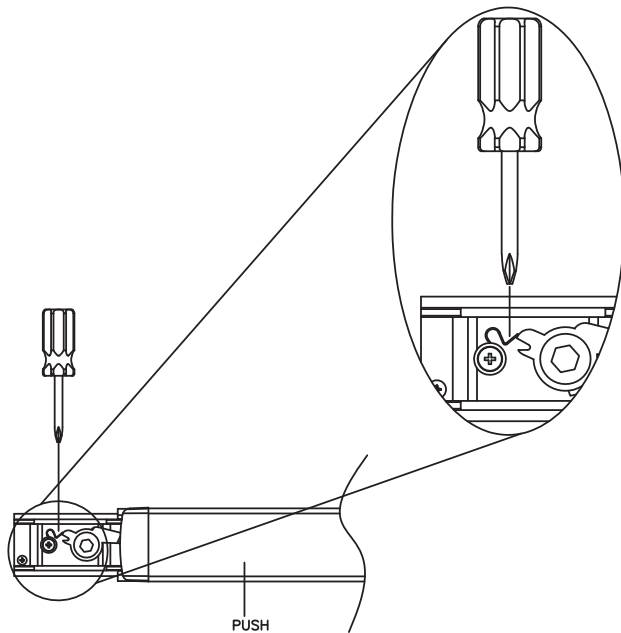
3. SLIDE PUSH PAD APPROXIMATELY 3 INCHES OUT FROM THE RAIL.



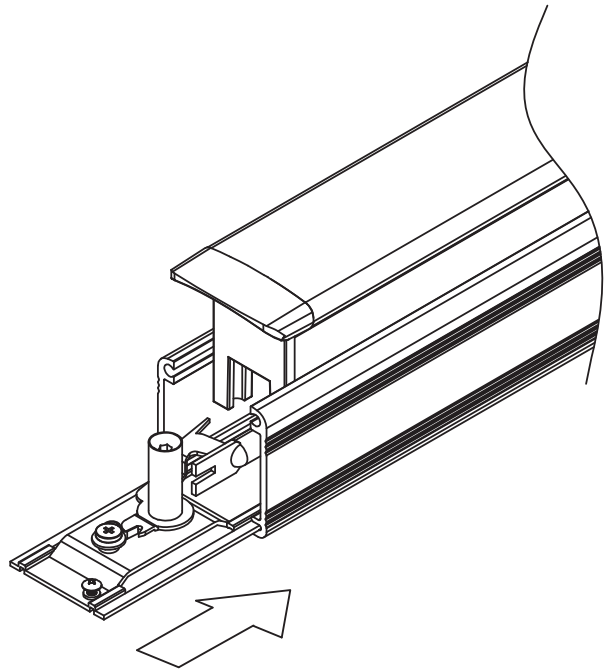
4. INSTALL S SPRING WITH NO.10 FASTENER SCREW. PUT IN PLACE DOGGING ADAPTOR AND FASTEN SECURELY USING NO. 6 SCREW.



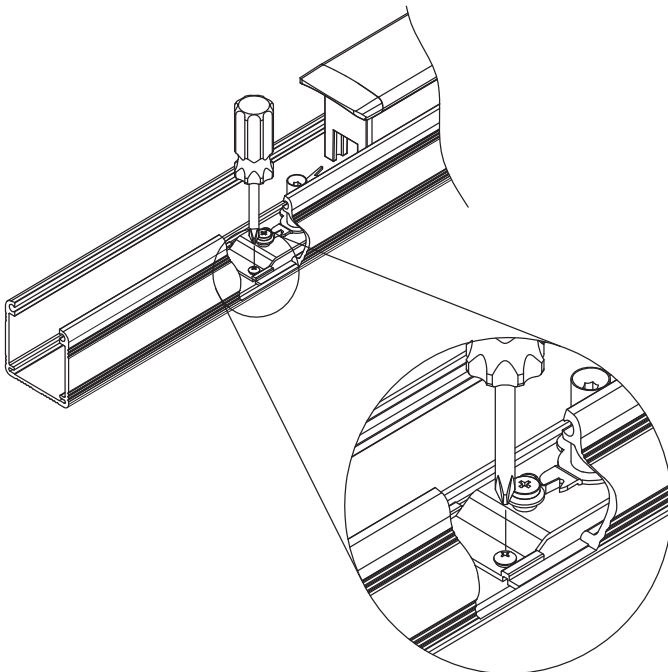
5. PUSH S SPRING TO CLICK INTO PLACE AS SHOWN.



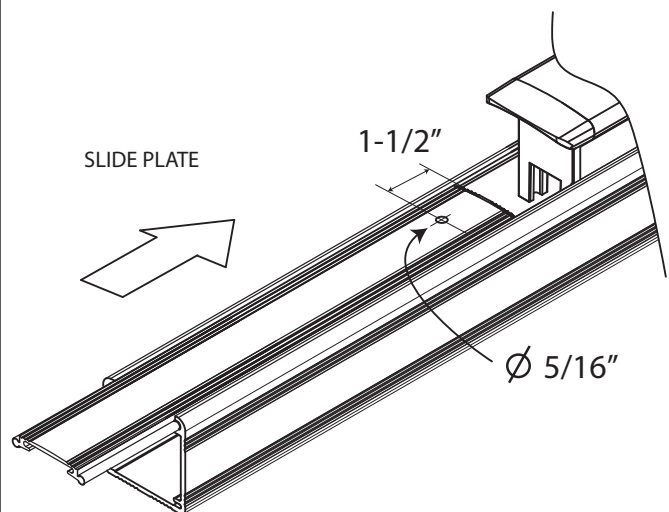
6. SLIDE BACK THE DOGGING PLATE IN TO THE MOUNTING RAIL.



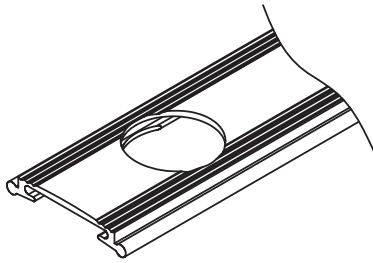
7. SECURE THE CYL. DOGGING KIT TO THE MOUNTING RAIL.



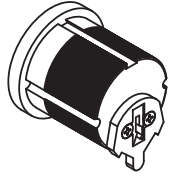
8. DRILL A HOLE 5/16" IN DIAMETER, 1-1/2" FROM THE EDGE OF THE SLIDE PLATE (WITH THE PLASTIC INSERT IN PLACE).  
9. SLIDE BACK THE COVER/SLIDE PLATE.



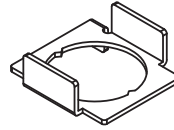
# PARTS NUMBER



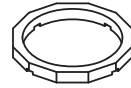
① SLIDE PLATE



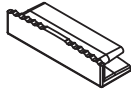
② CYL.



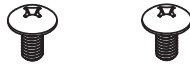
③ CYL. SUPPORTING PLATE



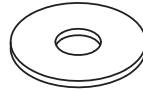
④ NUT



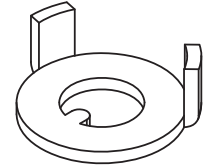
⑤ PLASTIC INSERT



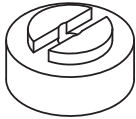
⑥ SCREWS



⑦ WASHER



⑧ TURN PLATE



⑨ SECURED SEAT



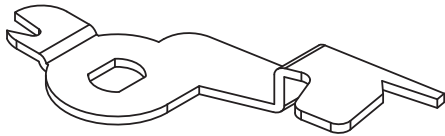
⑩ FASTENER FOR S SPRING



⑪ WASHER FOR S SPRING



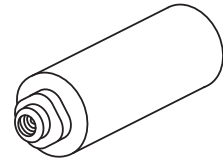
⑫ S SPRING



⑬ DOGGING PLATE

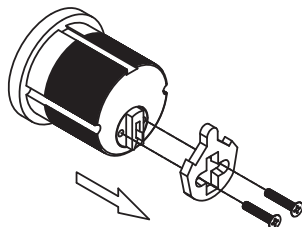
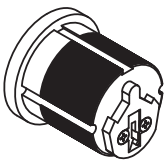


⑭ CAM

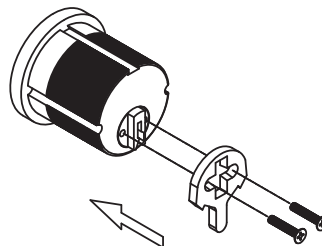


⑮ DOGGING ADAPTOR

## CAM ASS'Y



UNSCREW SHORT CAM



RE-SCREW LONG CAM

