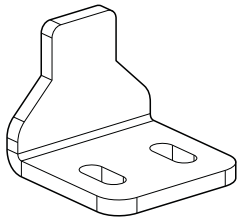
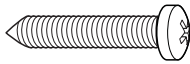


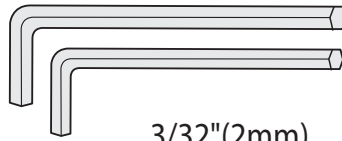
Installation for SCS40



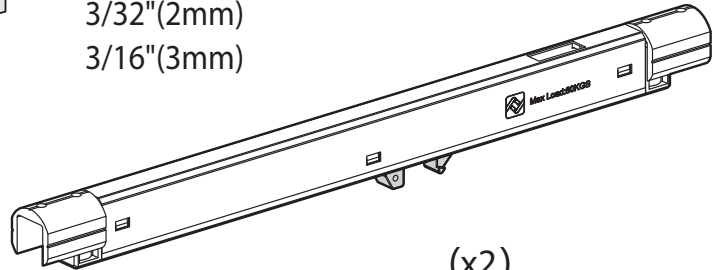
(x2)



3/16"x1"
ST4.2x25 (x 4)



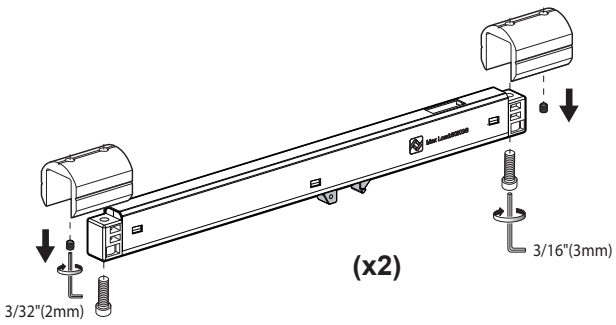
3/32"(2mm)
3/16"(3mm)



(x2)

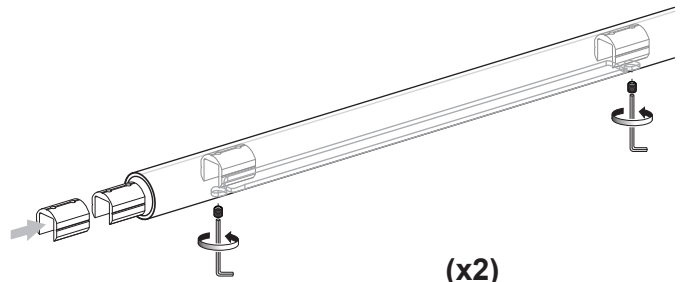
1

①



(x2)

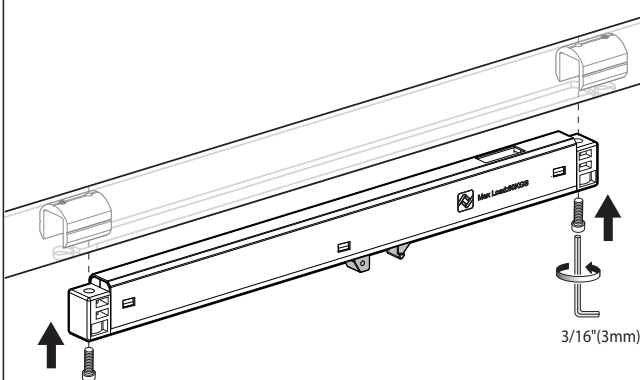
2



(x2)

Left

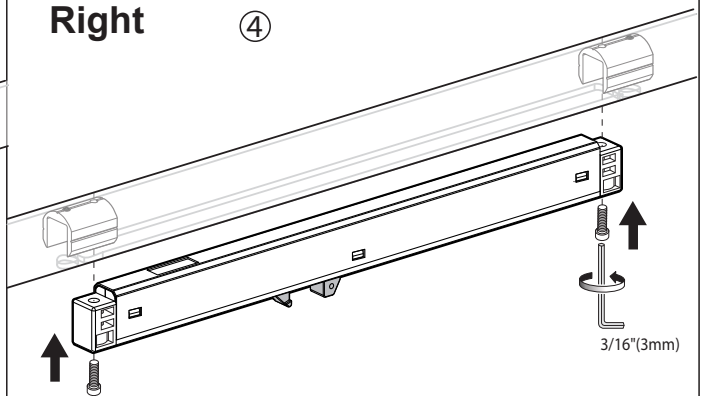
③



3/16"(3mm)

Right

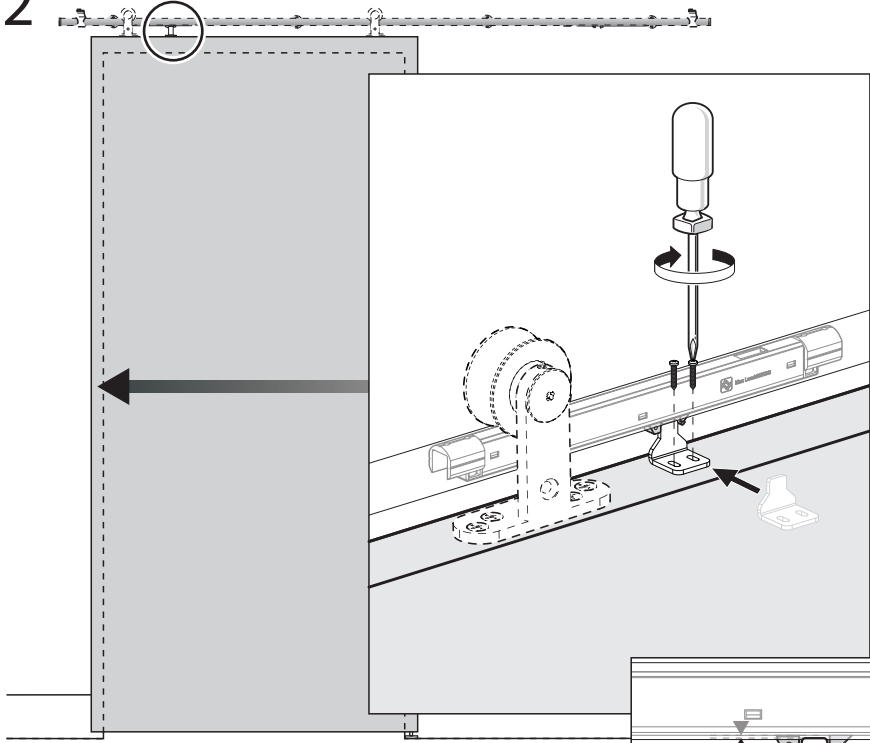
④



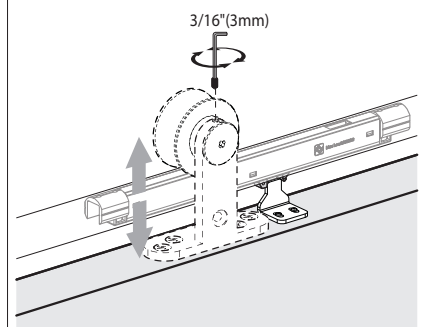
3/16"(3mm)



2



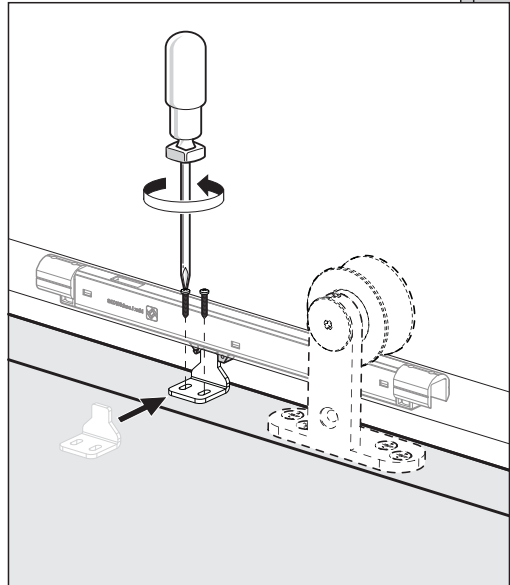
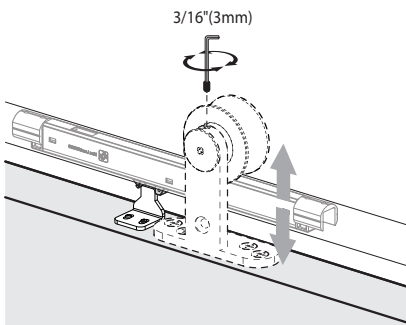
here adjust the height to be a suitable position via adjust the roller screw , so that the trigger can push and pull the softcloser



0.3~0.5mm
1/64"~1/32"

2

here adjust the height to be a suitable position via adjust the roller screw , so that the trigger can push and pull the softcloser



0.3~0.5mm
1/64"~1/32"