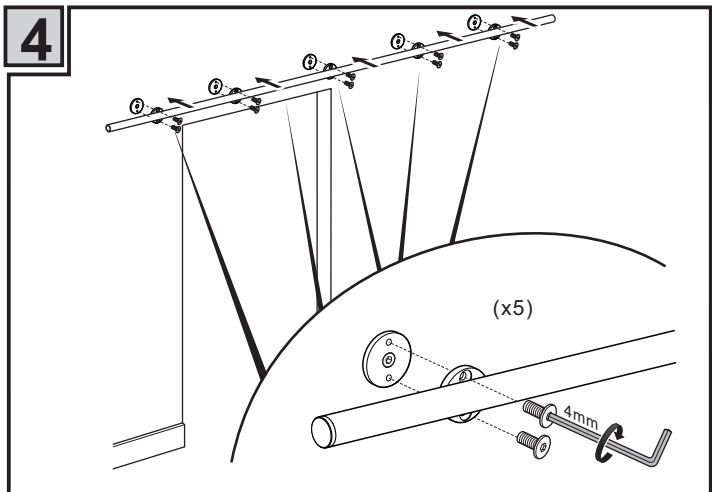
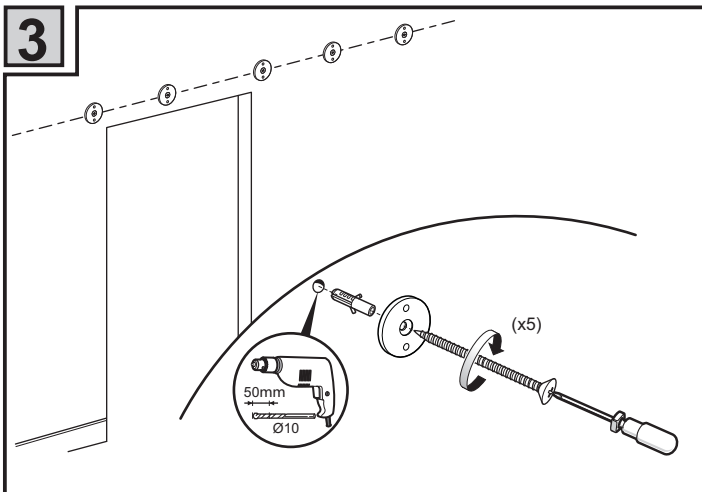
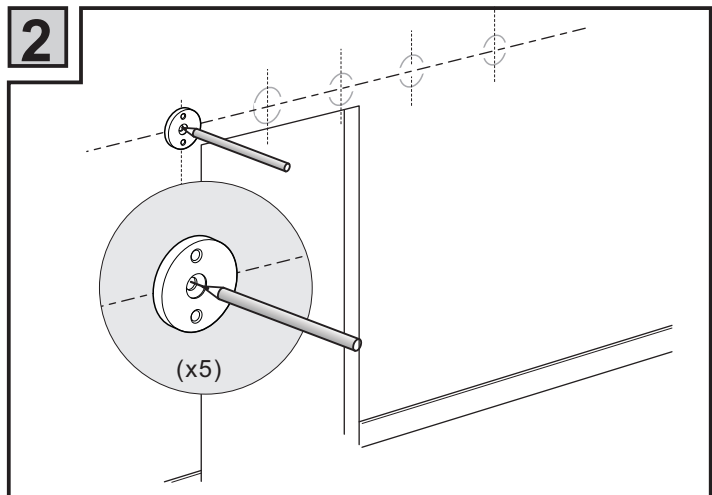
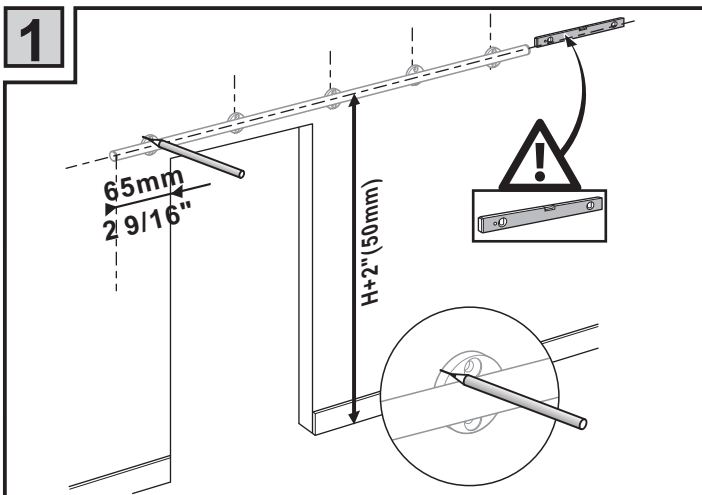
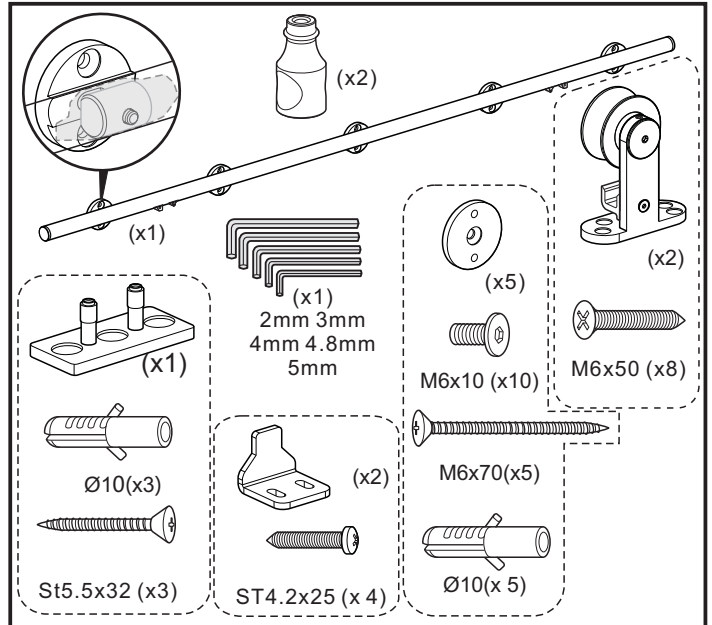
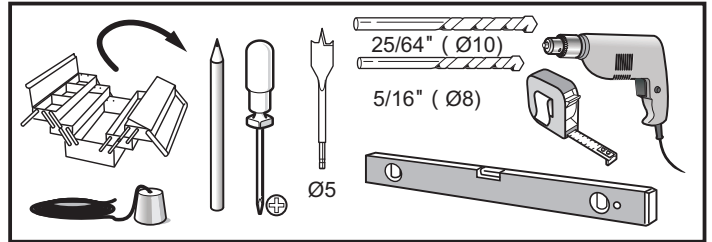
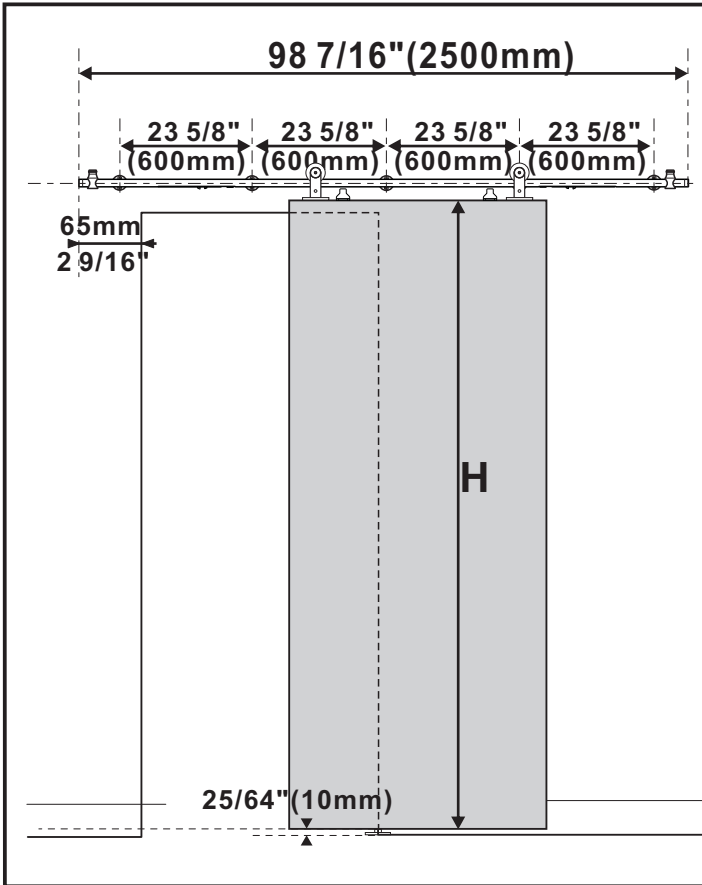
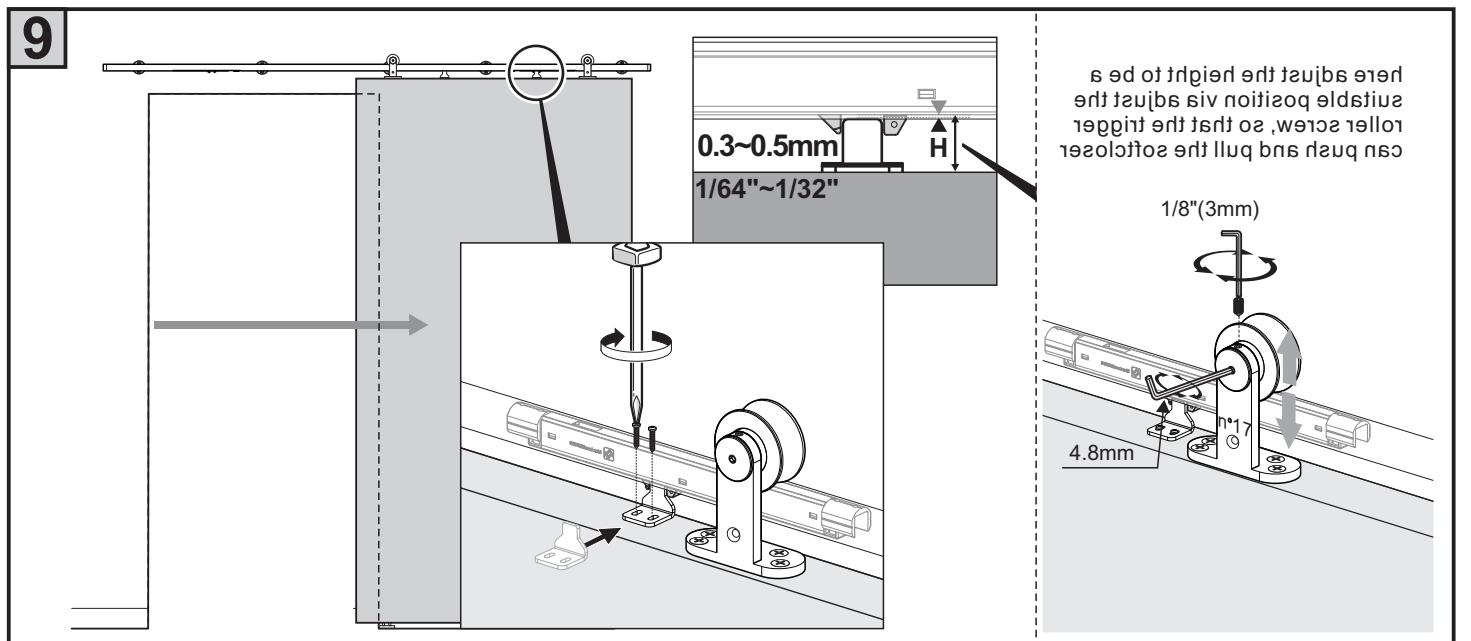
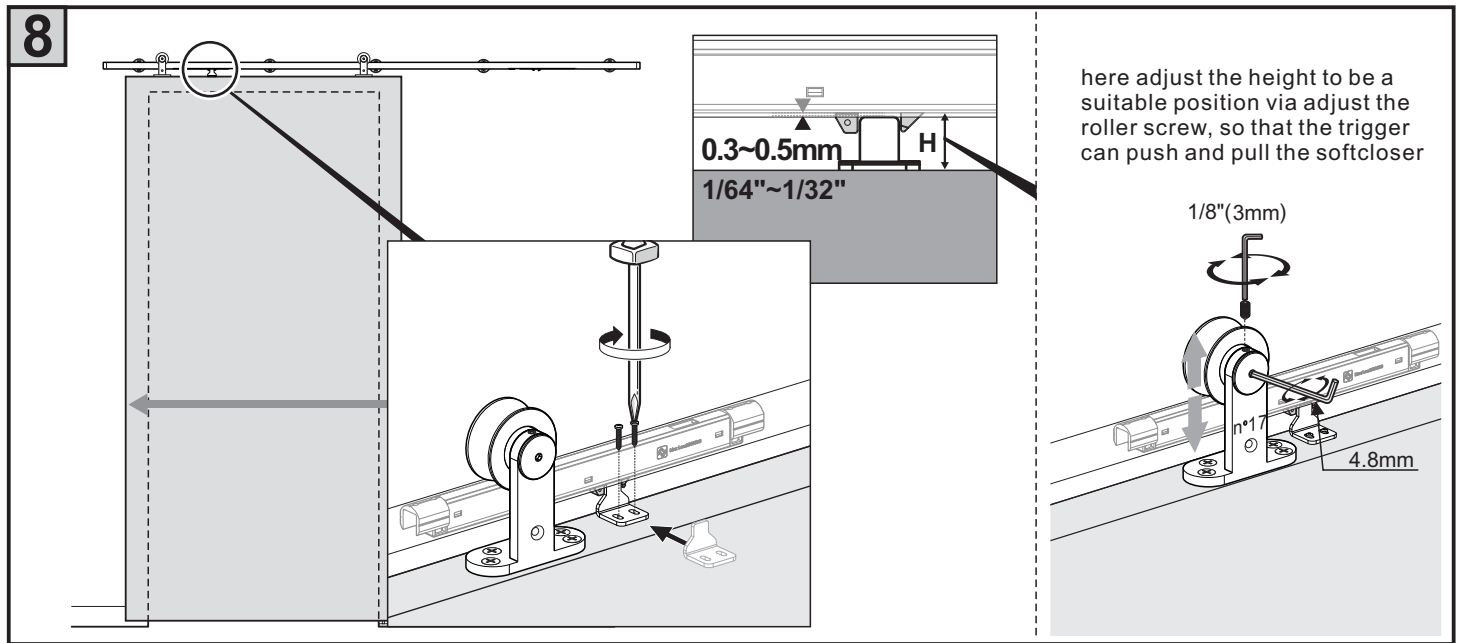
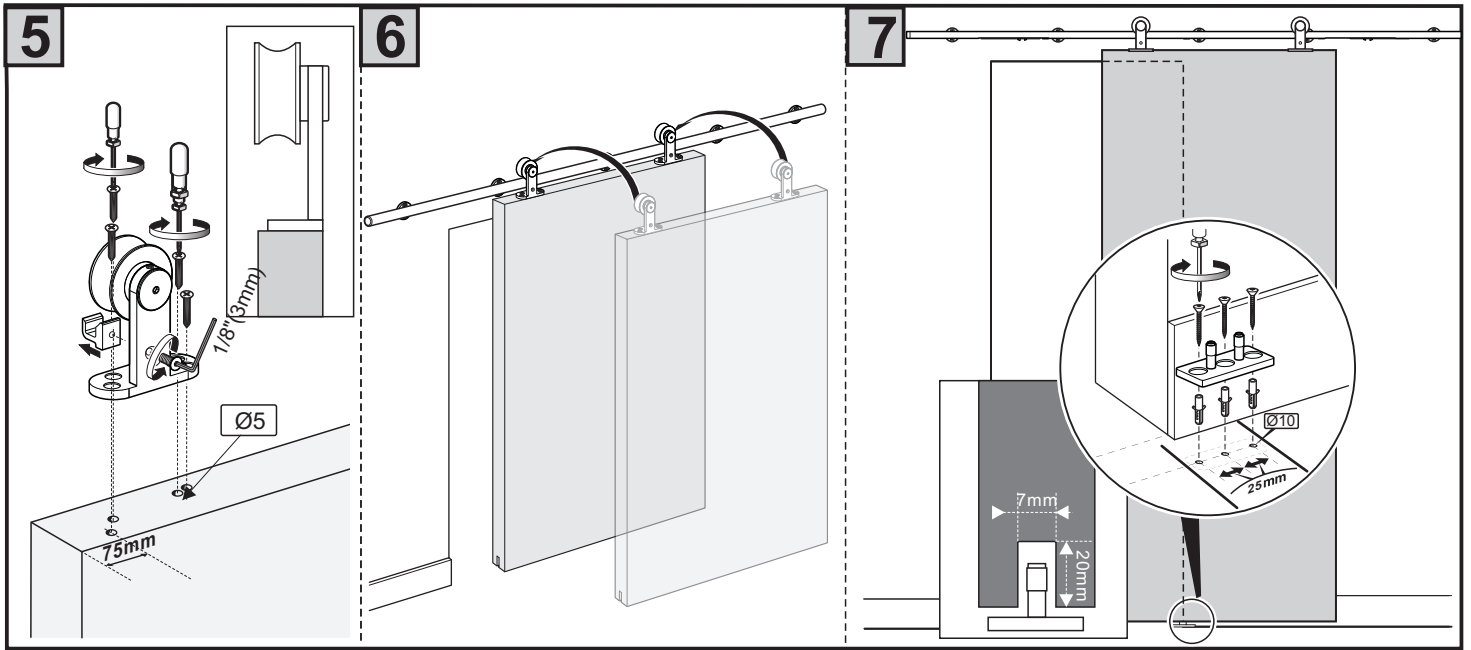
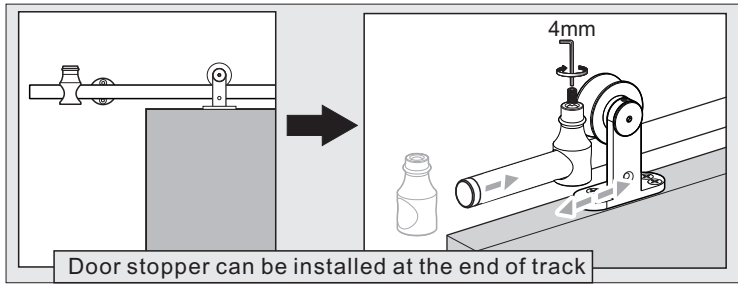
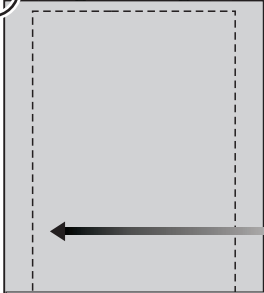


Installation manual for SCS801682

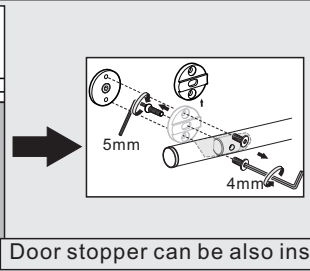
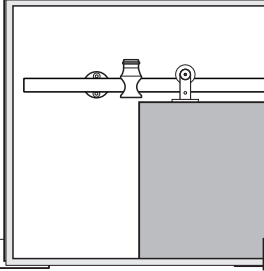




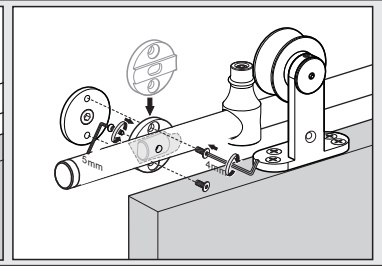
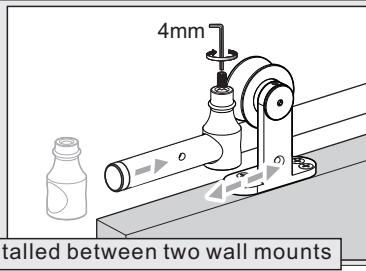
10



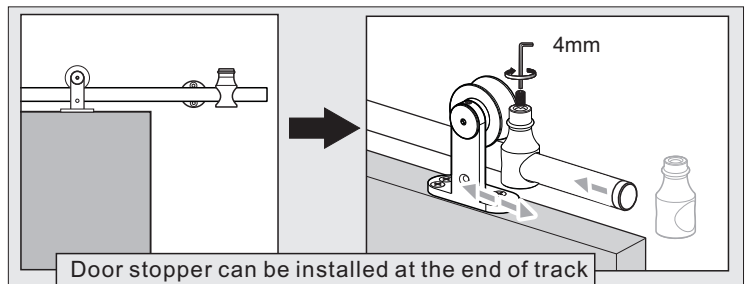
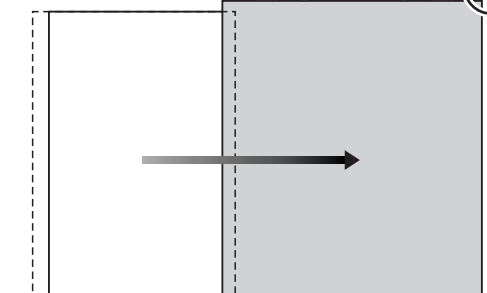
Door stopper can be installed at the end of track



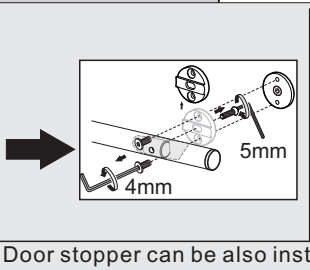
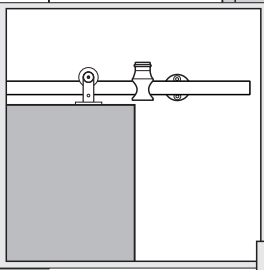
Door stopper can be also installed between two wall mounts



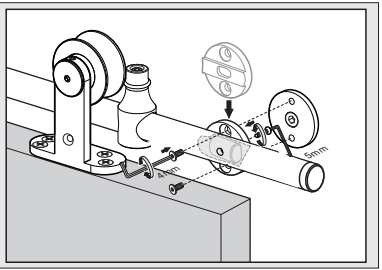
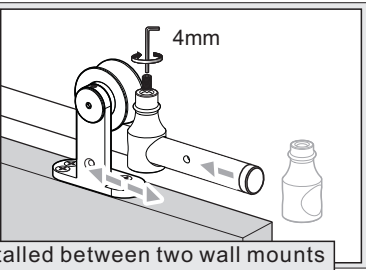
11



Door stopper can be installed at the end of track



Door stopper can be also installed between two wall mounts



12

