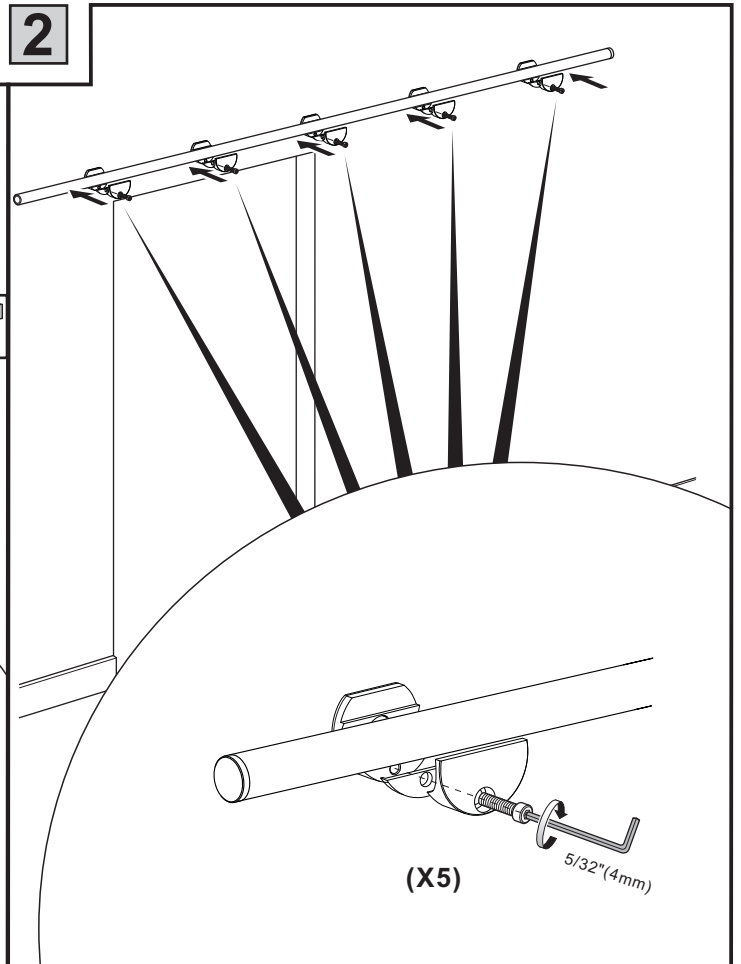
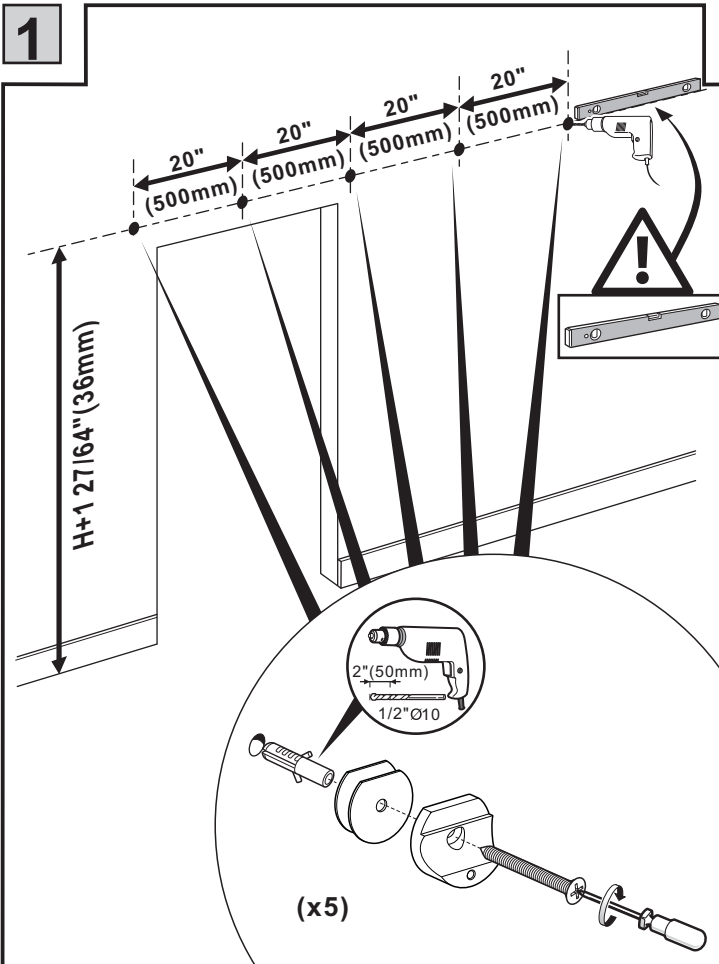
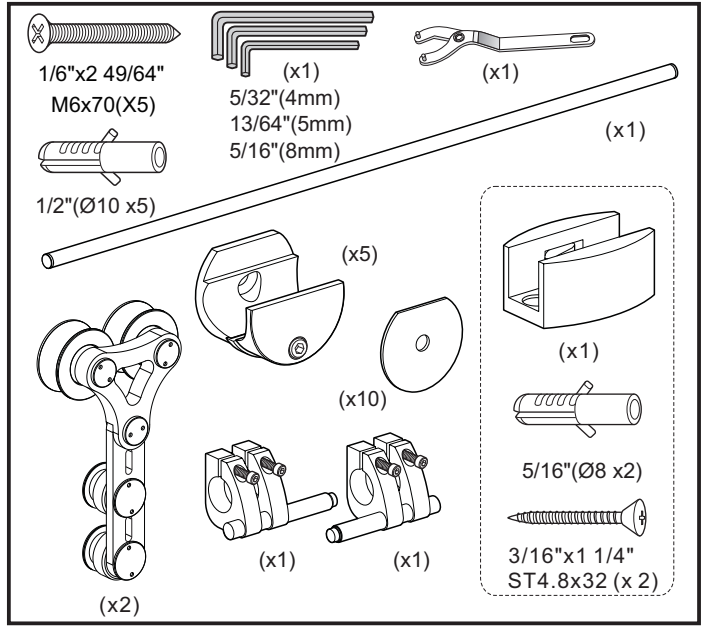
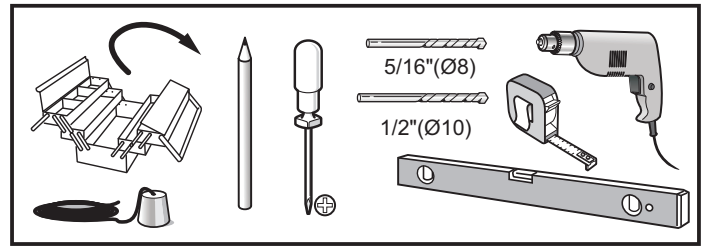
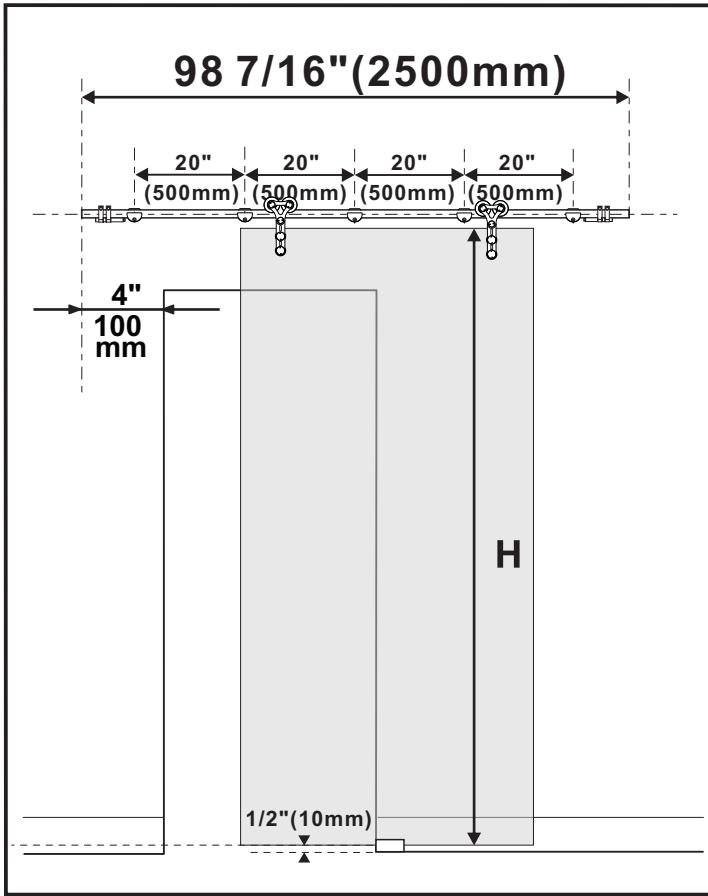
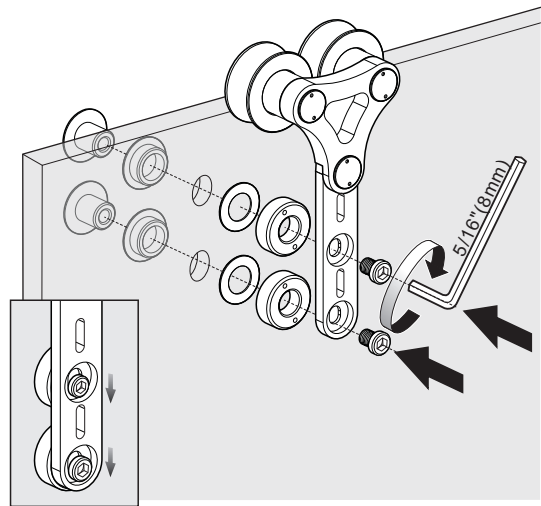


# Installation manual for SDH2182

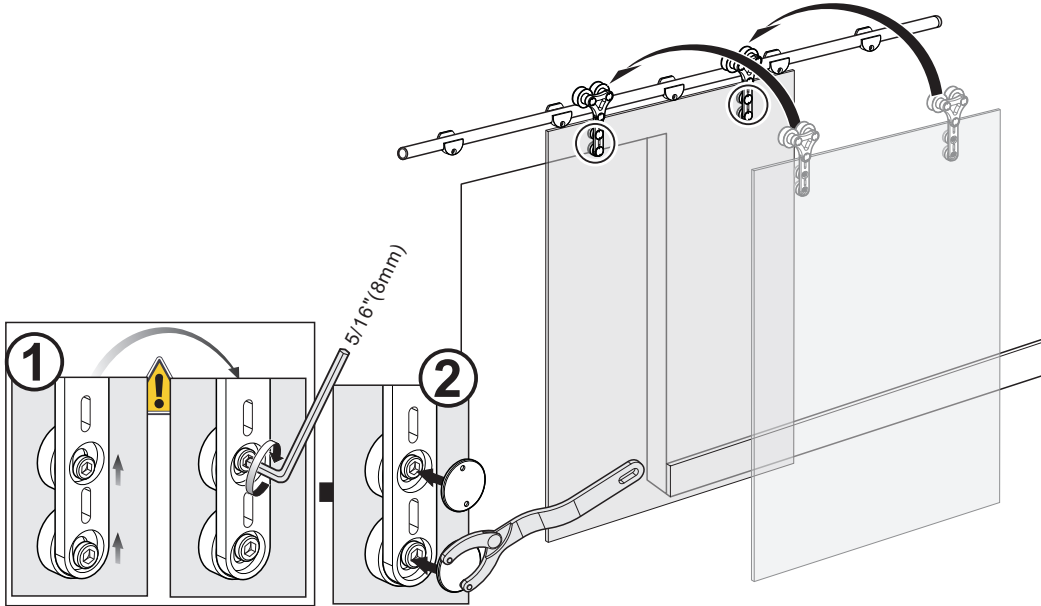


3

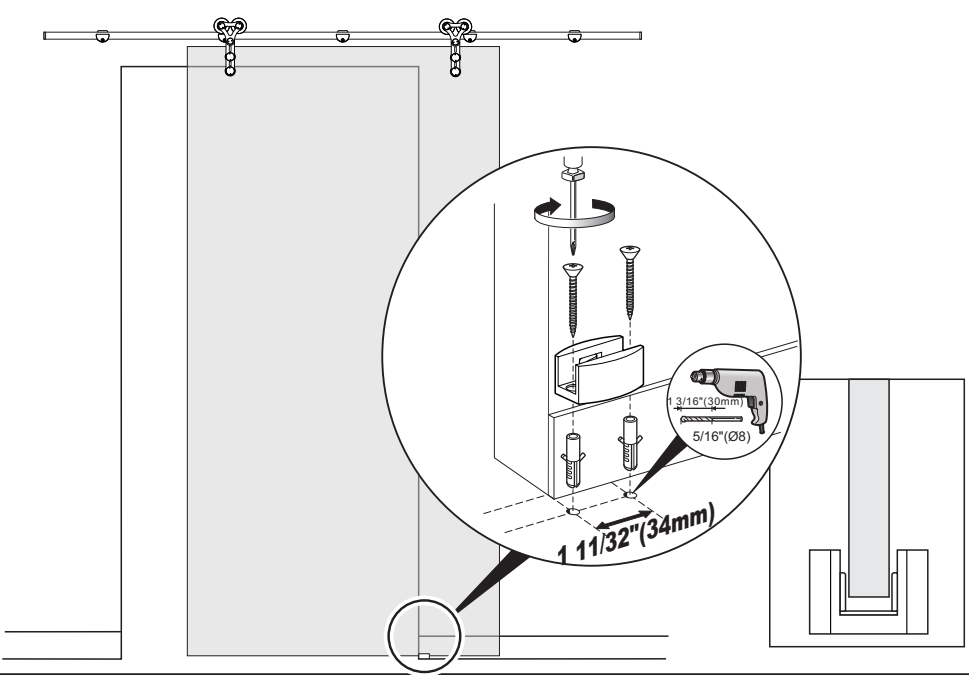
(X2)



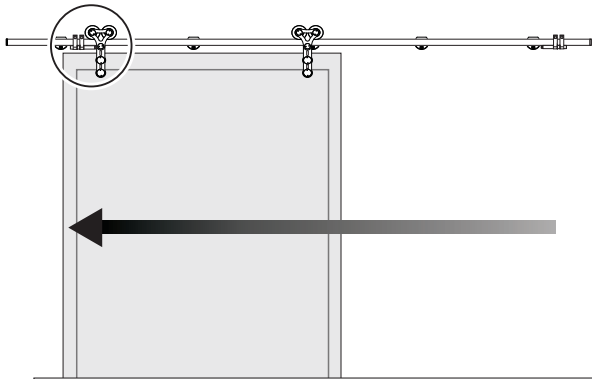
4



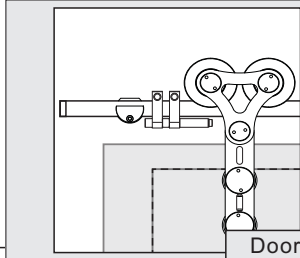
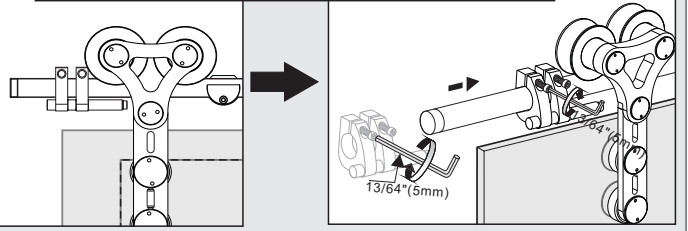
5



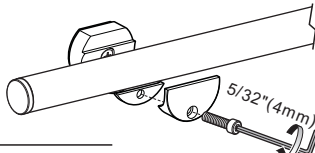
6



Door stopper can be installed at the end of track

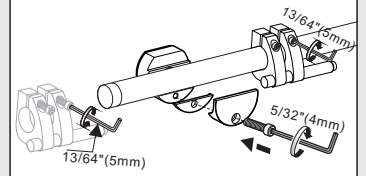


1

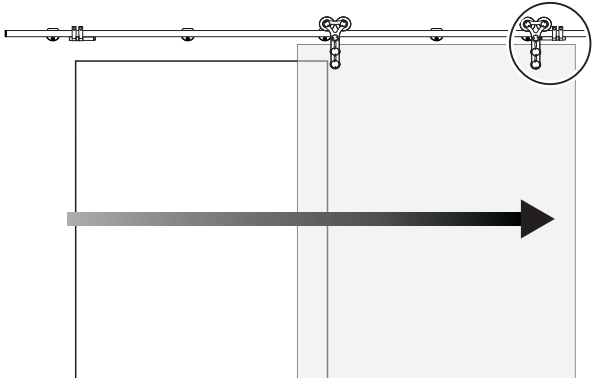


Door stopper can be also installed between two wall mounts

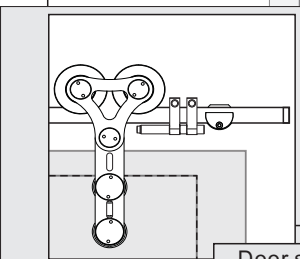
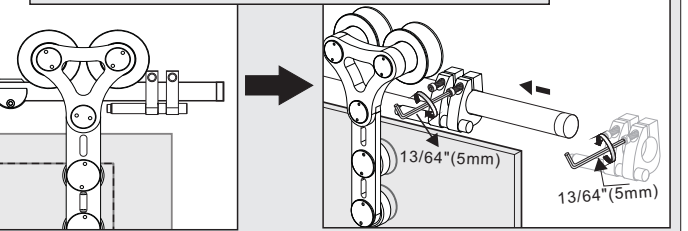
2



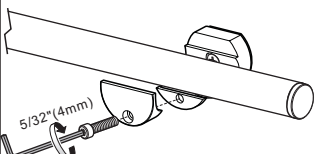
7



Door stopper can be installed at the end of track



1



Door stopper can be also installed between two wall mounts

2

