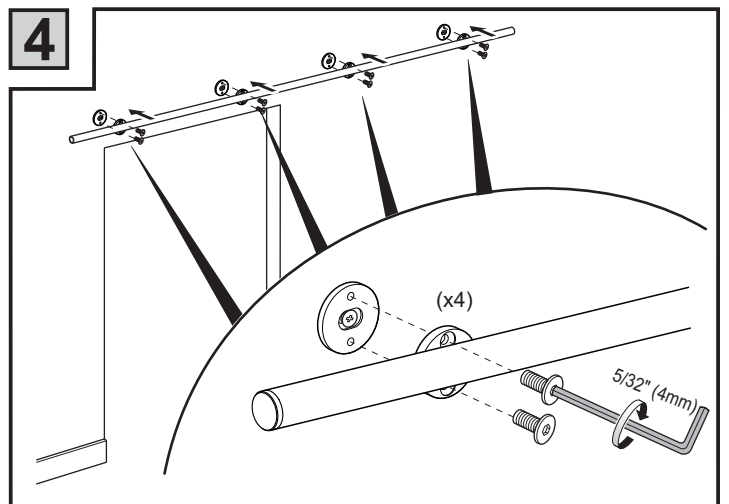
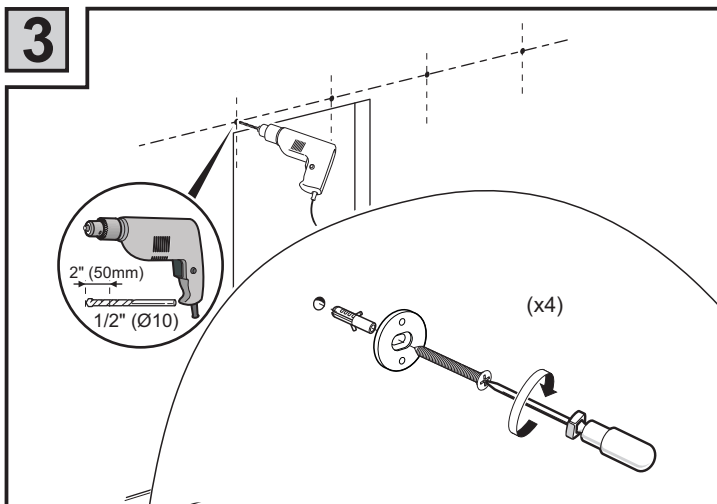
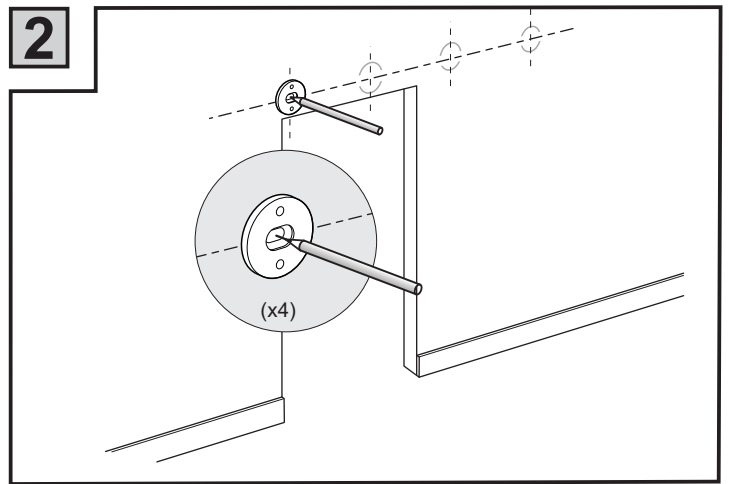
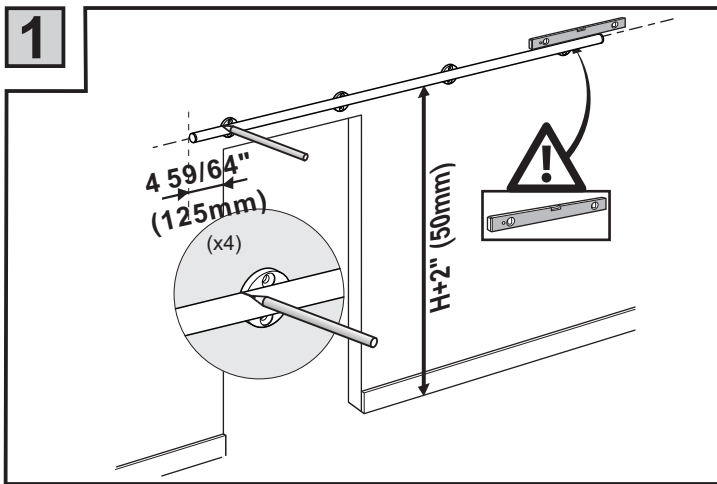
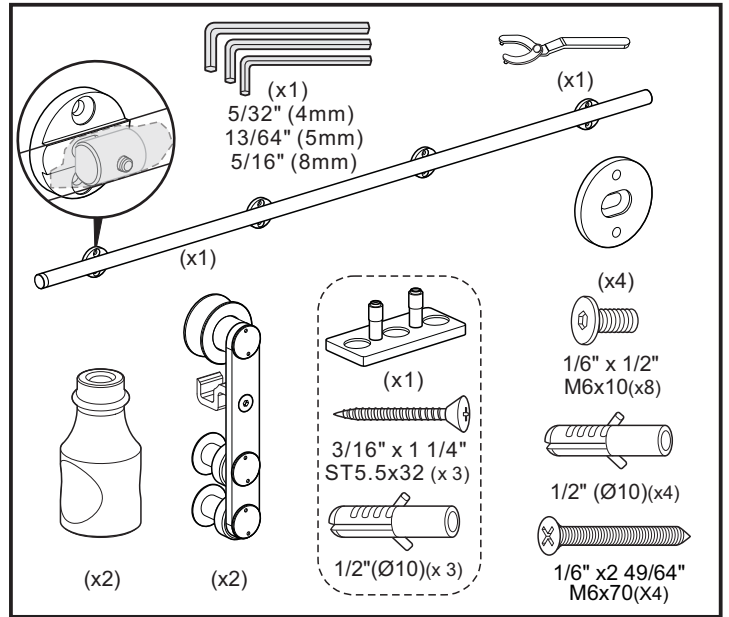
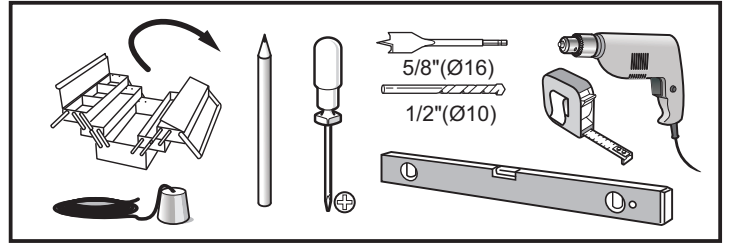
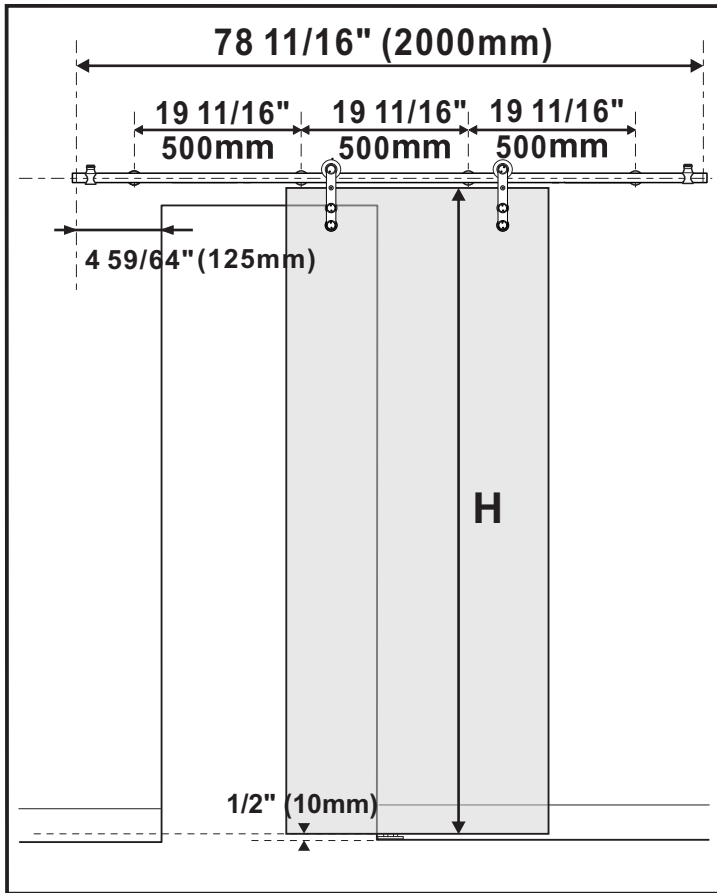
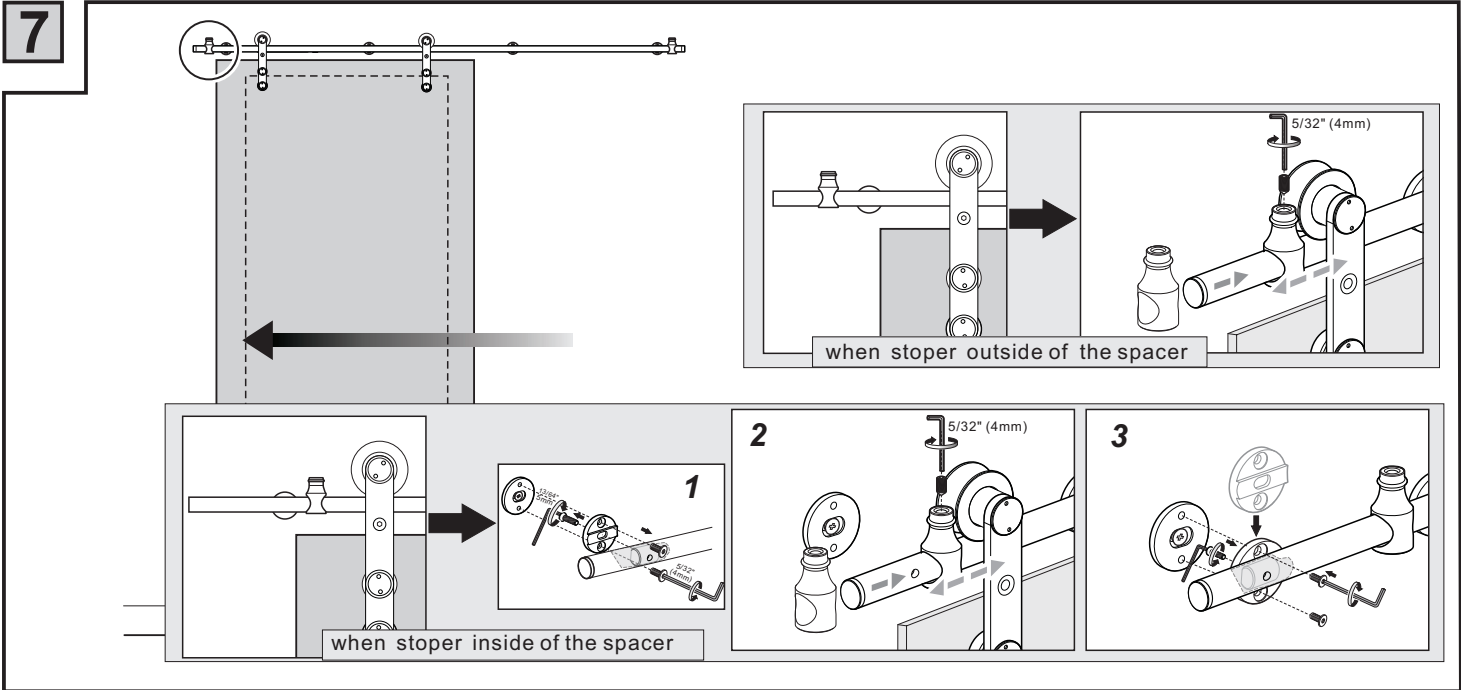
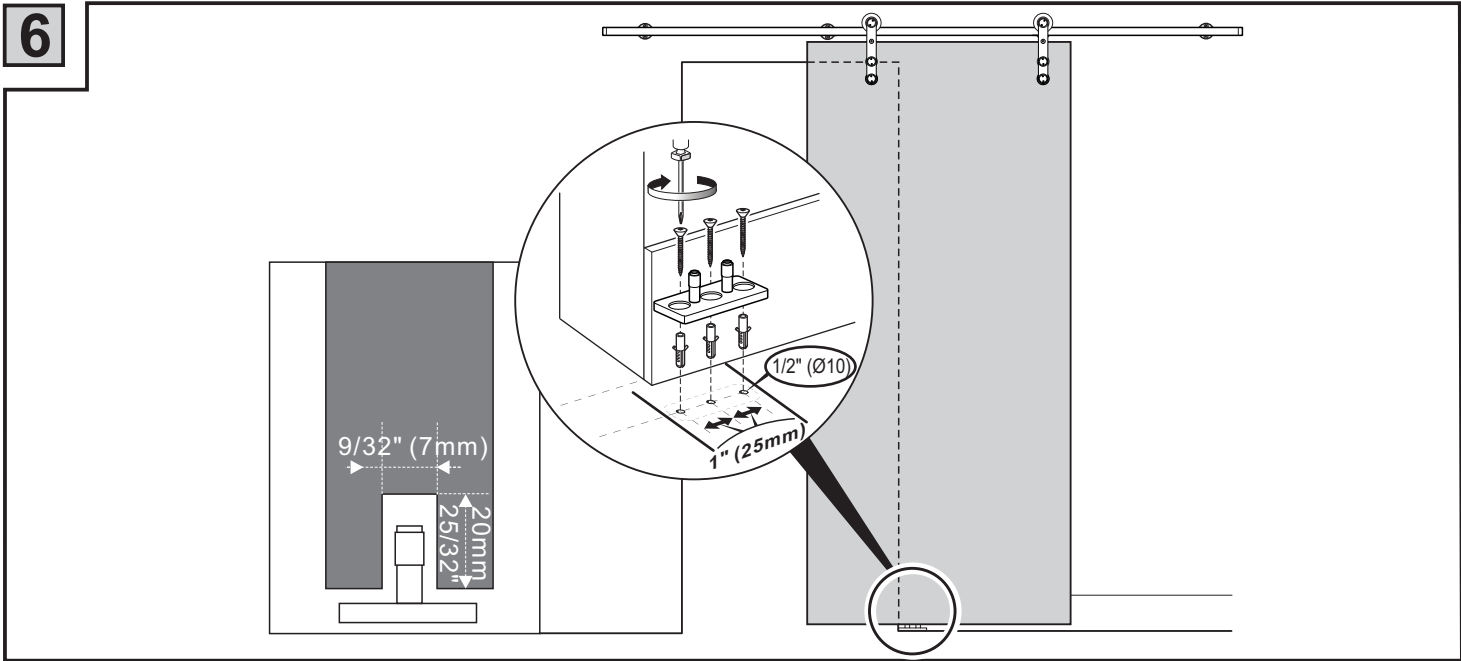
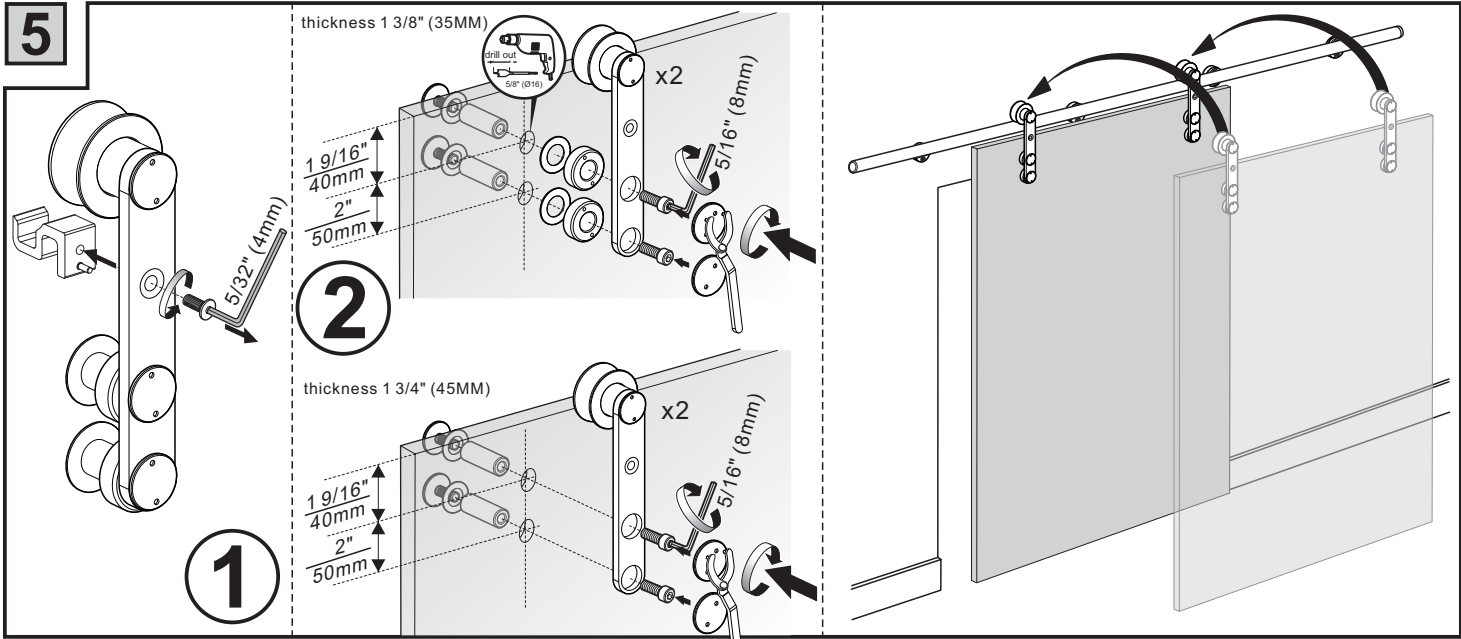
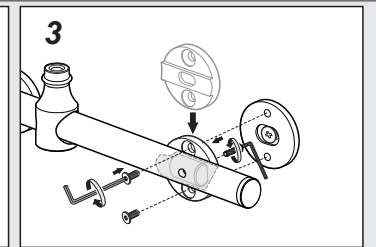
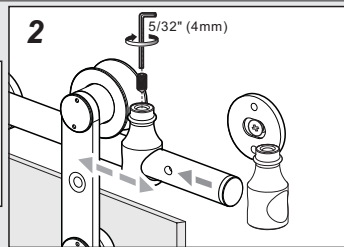
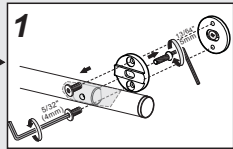
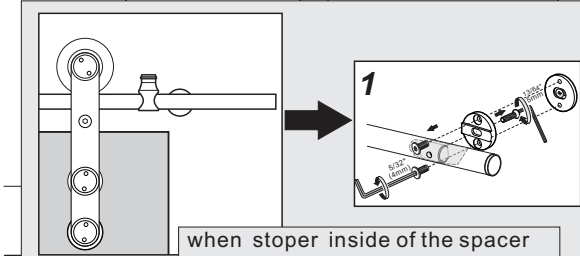
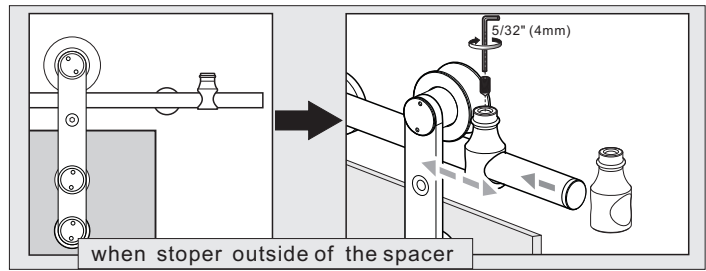
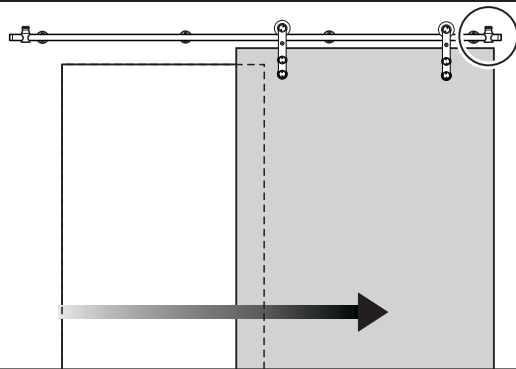


Installation manual for SDH3066





8



9

