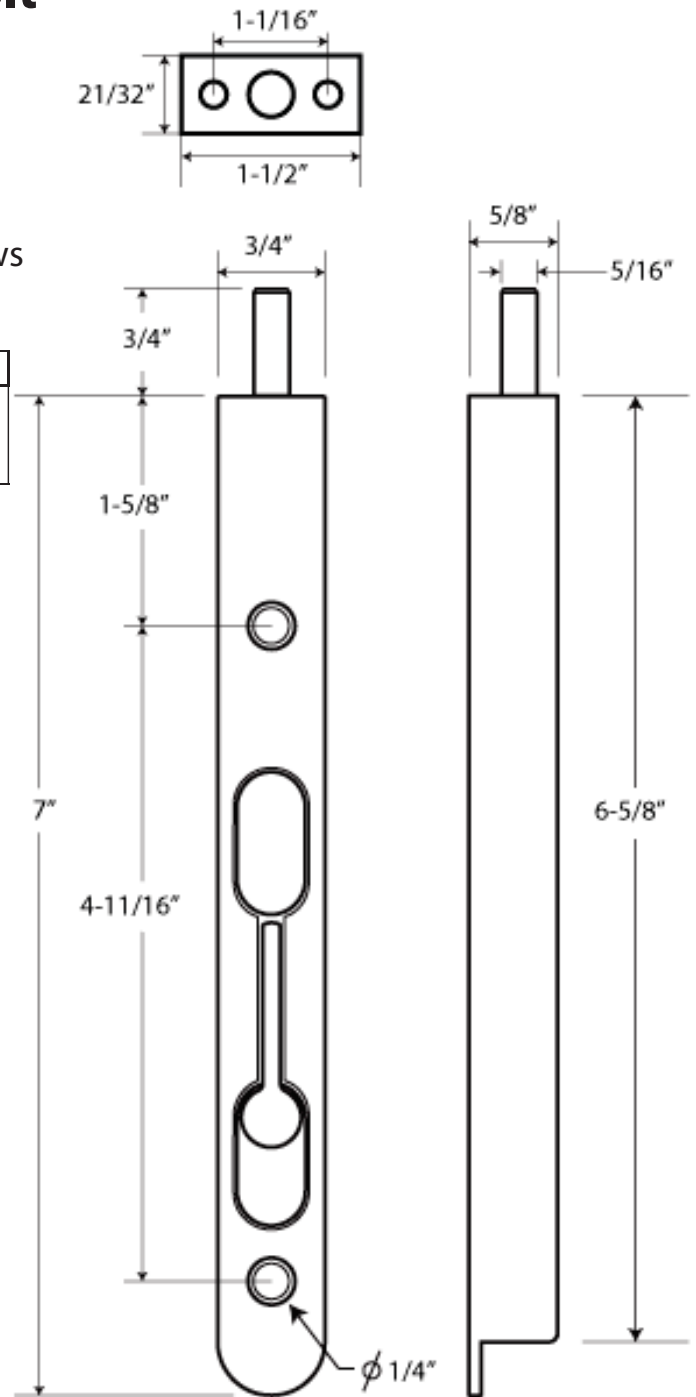
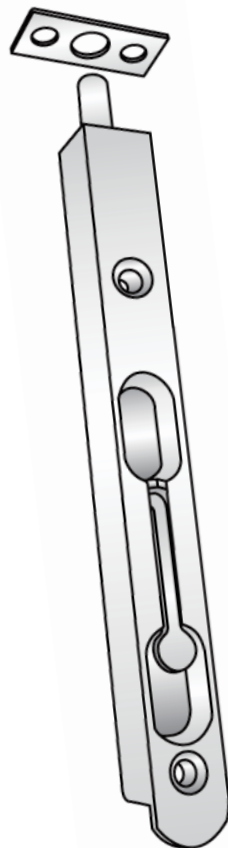


## Flip Style Mortise Flush Bolt

- ⊙ Size: 7"
- ⊙ Designed for superior strength and smooth operation
- ⊙ Individually poly-bagged
- ⊙ Packed with strike and 2 sets of screws
- ⊙ Architectural finishes available

ITEM NO.	BOLT HEAD DIA.	THROW
<b>FLPFB-400</b>	<b>5/16"</b>	<b>3/4"</b>



### Cal-Royal Products, Inc.

6605 Flotilla St., City of Commerce, CA 90040 U.S.A.

Phone: (323) 888-6601 • (800) 876-9258 • Fax: (323) 888-6699 • (800) 222-3316

Email: [sales@cal-royal.com](mailto:sales@cal-royal.com) • Website: [www.cal-royal.com](http://www.cal-royal.com)



The illustration and technical description in this Specification Sheet is current as of the date in the version box above. Cal-Royal Product reserves the right to, and may frequently make changes and/or improvements in designs and dimensions.