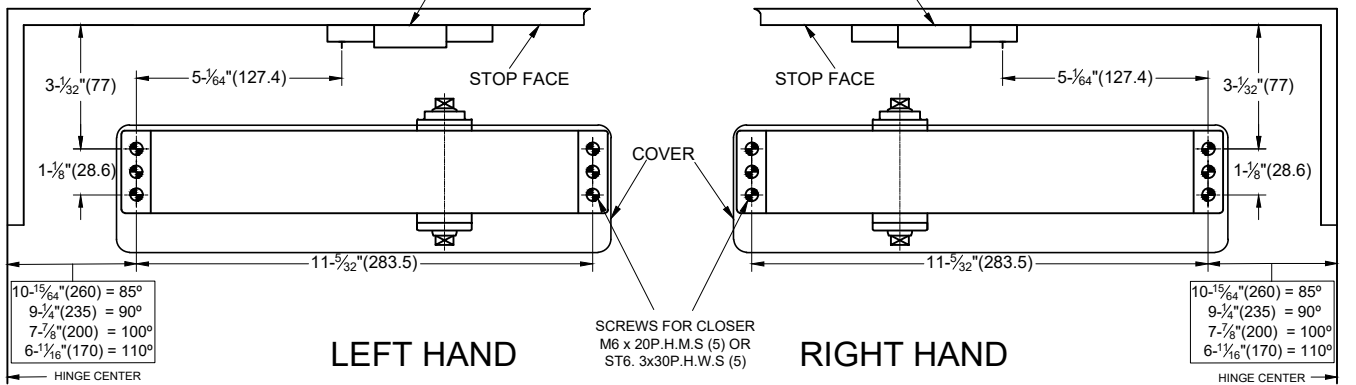
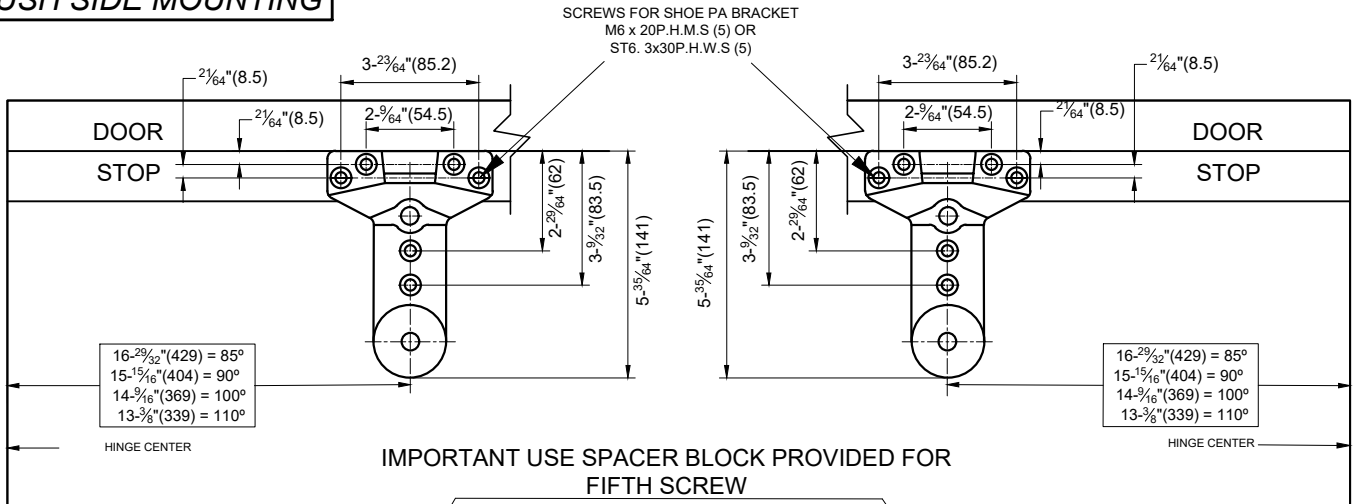


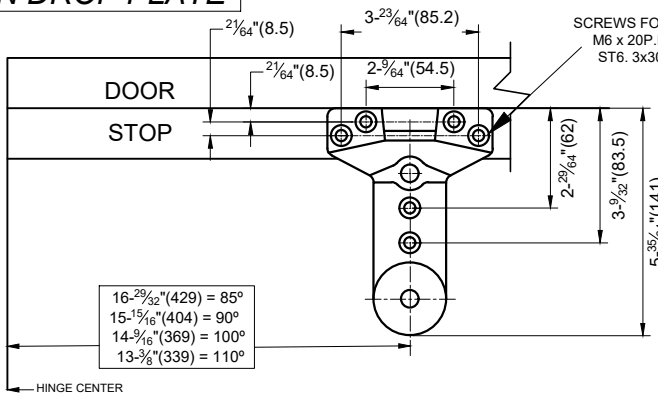
MAXIMUM OPENING 110°

FOR TOP RAIL LESS THAN 5-1/2", DROP PLATE WILL BE REQUIRED

PUSH SIDE MOUNTING

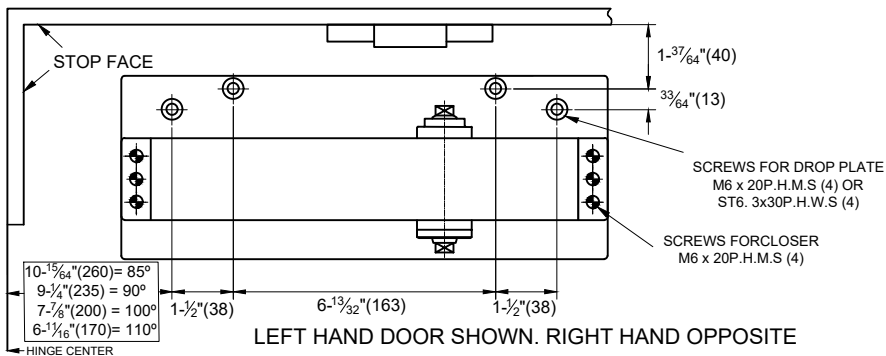
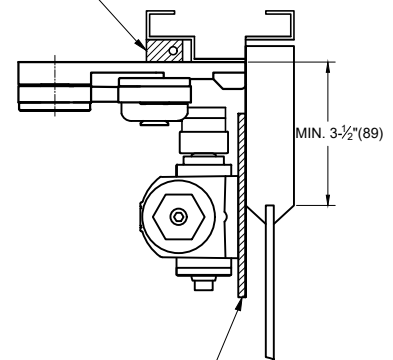


ON DROP PLATE



IMPORTANT

USE SPACER BLOCK PROVIDED FOR FIFTH SCREW



The illustration and technical description in this cut sheet is current as of the date in version date on the right.
Cal-Royal Product reserves the right to, and may, on occasions, make changes and/or improvements in designs and dimensions without prior notice.

	6605 Flotilla Street City of Commerce CA 90040 USA Tel.# (323) 888-6601 FAX # (323) 888-6699 WEB SITE: CAL-ROYAL.COM Email: sales@cal-royal.com		ITEM NO.	DESCRIPTION	NOT TO SCALE	UNIT	Prepared By:	DATE	DWG. NO.
	900 HOSPRING	TEMPLATE for 900 HOSPRING	PAGE 1 of 1	PRIMARY DIMENSION SHOWN IN INCHES, DIMENSIONS IN () ARE MM	BBT / ADG / CVL	02/22/22	DCT1007		
									REV - - - -