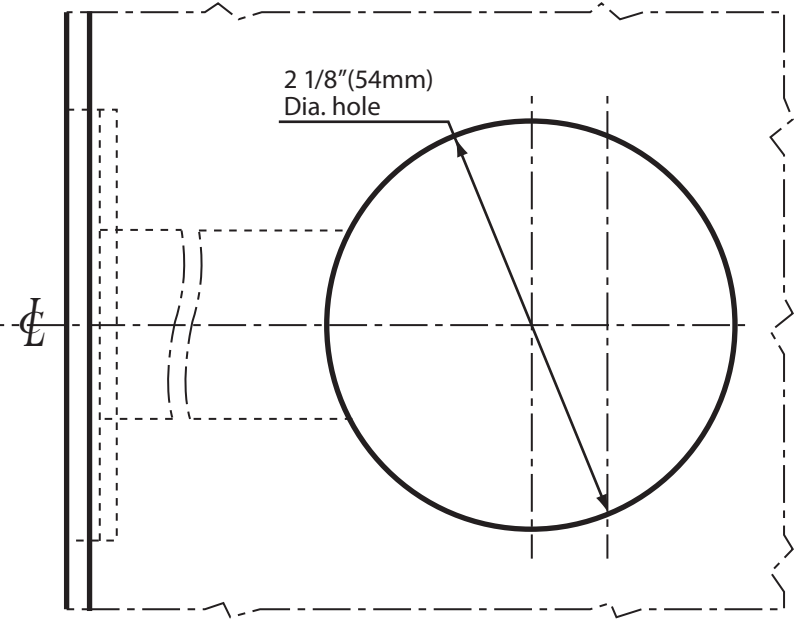
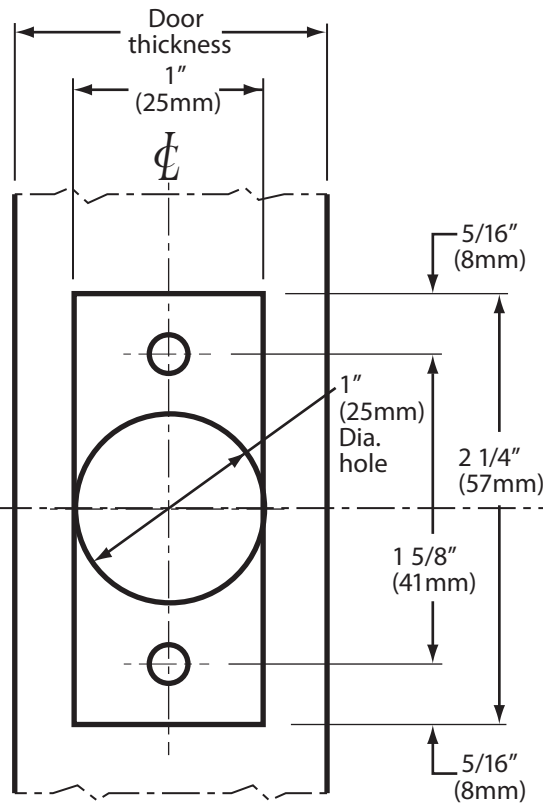
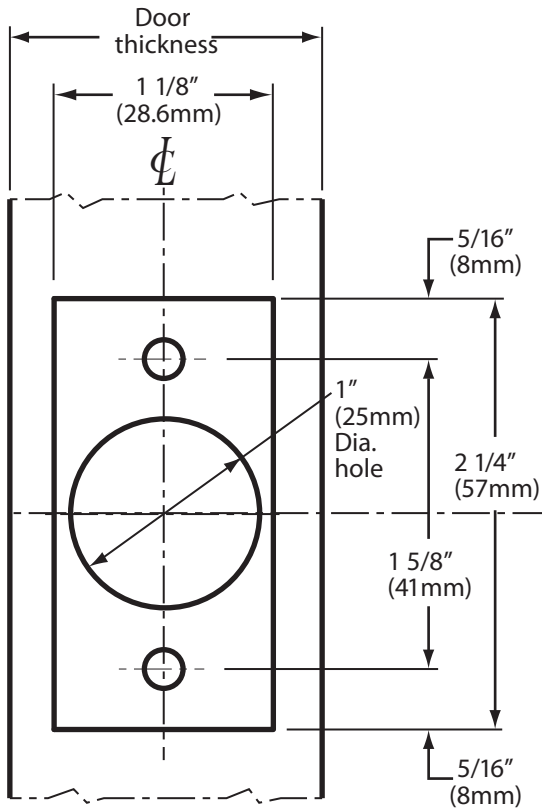
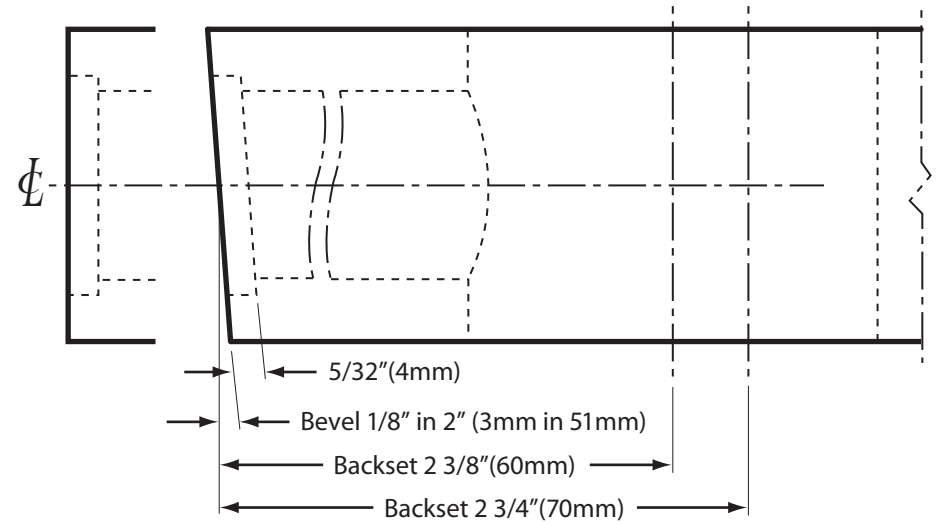
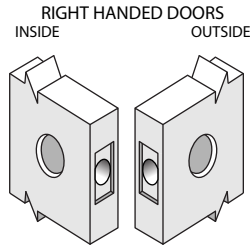
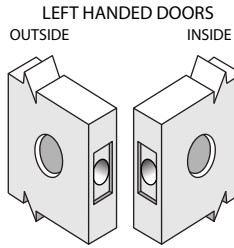


Standard Packaging:

1. Adjustable latch bolt  
2-3/8" - 2-3/4".
2. Face plate 1" x 2-1/4".
3. Plastic filler for 1-1/8" latch prep.
4. ULT300 STRIKE DIMENSION  
1-3/8" x 2-3/4".



The illustration and technical description in this cut sheet is current as of the date in version date on the right. Cal-Royal Product reserves the right to, and may, on occasions, make changes and/or improvements in designs and dimensions without prior notice.



6605 Flotilla Street  
City of Commerce  
CA 90040 USA  
Tel# (323) 888-6601  
FAX # (323) 888-6699  
WEB SITE:  
CAL-ROYAL.COM  
Email: sales@cal-royal.com

ITEM NO.	DESCRIPTION :
ULID365	TEMPLATE OF ONE SIDED DEADBOLT WITH EXTERNAL PLATE

1:1 SCALE  
PAGE 1 OF 1

UNIT  
PRIMARY DIMENSION SHOWN IN INCHES. DIMENSIONS IN ( ) ARE MM

Prepared By: BBT / ADG AED / CVL

DATE: 02/07/23

DWG. NO.: LST - 2027  
Ver. 02