

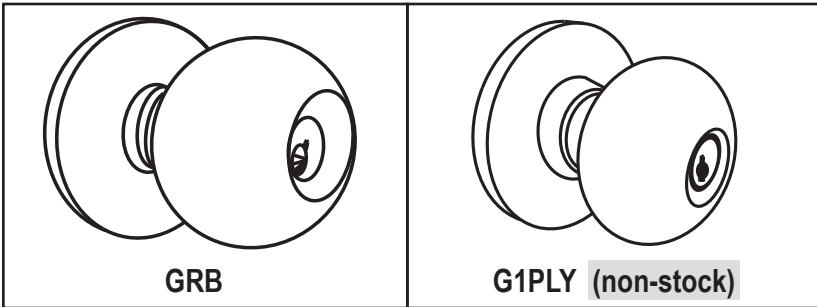
OMEGA GRB Series

HEAVY DUTY CYLINDRICAL LEVERSETS

ANSI - A156.2, SERIES 4000, GRADE 1

Optional Interchangeable Core for Best, Falcon and Arrow

 <small>3 HOUR FIRE RATED UL10C, UBC7-2-1997</small>	LIFETIME WARRANTY	BHMA CERTIFIED <small>Be Safe. Be Secure. Look for the Mark.</small>	MEETS <i>The Buy American Act</i>
-------------------------------------------------------------	--------------------------	------------------------------------------------------------------------------------------	---------------------------------------------



When ordering: "G1PLY" design **Example:** GRB00 Entrance in G1PLY design is G1PLY00

NON-STOCK FINISHES AND DESIGNS AVAILABLE WITH FACTORY LEAD TIME AND SUBJECT TO MINIMUM ORDER.
FOR G1PLY DESIGN USE SAME PRICE AS GRB FOR REFERENCE

FUNCTION	ANSI	ITEM #	FINISH			PCS / MC
Entrance	F109	GRB00 or ⌘ ICGRB00	US32D	US3	US10B, 10, 4, 26	10
Storelock (keyed Dbl. cyl.)	F91	GRB02				
Classroom	F84	GRB03 or ⌘ ICGRB03				
Communicating (keyed Dbl. cyl.)	F80	GRB04				
Storeroom	F86	GRB05 or ⌘ ICGRB05				
Institution (keyed Dbl. cyl.)	F87	GRB09				
Privacy	F76	GRB20				
Passage	F75	GRB30				
Single Dummy	----	GRB40				

⌘ (IC) Indicates function available with Best, Falcon and Arrow Interchangeable Core.

► **PACKAGING INCLUDES**

UL Listed 2 3/4" Backset, 2 1/4" x 1 1/8" faceplate, Standard "C", 6-pin cylinder, ASA Strike

► **KEYWAYS**

6-pin solid brass "C" keyway standard. Optional: Schlage E, Schlage C-K, Russwin D1-2-3-4, Corbin 59 / 60, Corbin-Russwin L4, Sargent LA-LB-LC, Falcon / Weiser E, Arrow A, Yale 8, Yale GA and Kwikset. Can also accept Medeco, Assa, Kaba and **Cal-Royal HSK** High Security Cylinders. See **page L131** for keying charges and Cylinder PART #.

► **TACTILE / LEAD LINING**

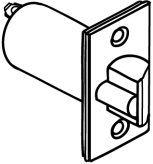
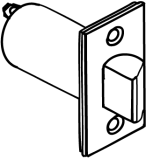
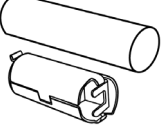
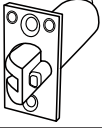
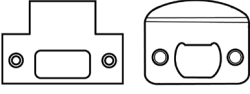
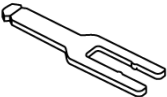
- Lead Lining Part # **LEAD**
- Tactile Part # **TAC**

► **ANTI MICROBIAL COATING**

- Available on US32D finish.
- Specify "**ANTB**" when ordering.

► **ADDITIONAL PARTS & CHARGES FOR OMEGA GRB SERIES**

Backsets: UL listed 2 3/8", 2 1/4" x 1 1/8" faceplate

◆◆◆ STANDARD DISCOUNT ONLY ◆◆◆				
ILLUSTRATION	ITEM #	DESCRIPTION	FINISH	
EXTRA UL BACKSET				
	CALSLD238	CAL Series Dead latch 2 3/8" 2 1/4" x 1 1/8" Faceplate	US26D	
	CALDOR238	CAL101 Dormitory Dead latch 2 3/8" 2 1/4" x 1 1/8" Faceplate		
	CALSLS238	CAL Series Spring Latch 2 3/8" 2 1/4" x 1 1/8" Faceplate		
	CALSLP238	CAL Series Privacy Latch 2 3/8" 2 1/4" x 1 1/8" Faceplate		
	CAL334 EXT	CAL Series 3 3/4" Extension Link To be used with CALSLD238		----
	CAL5 EXT	CAL Series 5" Extension Link		
	CAL750	2 3/4" Backset, 2 1/4" x 1 1/8" faceplate, 3/4" throw, anti-friction Dead latch for pairs of fire doors	US26D	
STRIKES				
	TS	T-Strike	US3, 10B, 26, 10, 4	
	FLS	Full Lip Strike		
TAIL PIECE				
	ICTP-09	Tail Piece for ICGRB	----	

CAL-ROYAL PRODUCTS, INC. COMPARISON CHART

GENESYS “CGN” AND CALYPSO “CAL” SERIES (GRADE 1 CLUTCH LEVER)

FUNCTION	ANSI #	CAL-ROYAL GENESYS & CALYPSO	SCHLAGE VANDGUARD	SARGENT CLUTCH	RUSSWIN CORBIN	PDQ	FALCON CLUTCH	YALE CLUTCH	HAGER
Entrance	F109	CGN00, CAL00	ND53 / ND92PD	10G05	CL3351	GT 116 / 182	T501	5407L	3450 / 3453
Storeroom	F86	CGN05, CAL05	ND80 / ND96PD	10G04	CL3357	GT 115	T581	5405L	3480
Classroom	F84	CGN03, CAL03	ND70S / ND94PD	10G37	CL3355	GT 148	T561	5408L	3470
Privacy	F76	CGN20, CAL20	ND40S	10U65	CL3320	GT 176	T301	5402L	3440
Passage	F75	GN30, CAL30	ND10S	10U15	CL3310	GT 126	T101	5401L	3410
Dummy	----	GN40, CAL40	ND170	U94	CL3350	GT 211 / 205	T12	455L	3417
Storelock / Double Cylinder	F91	GN02, CAL02	ND66PD	10G26	CL3382	GT 137	T371	5419L	----
Communicating / Double Cylinder	F80	CGN04, CAL04	ND72PD	10G30	CL3362	GT 150	T391	5421L	----
Vestibule	F88	CGN06, CAL06	ND60PD	10G16	CL3372	GT 135	T381	5417L	----
Classroom Intruder	F110	CGN07, CAL07	ND75PD	10G38	CL3352	GT 148	T561	5418L	3495
Institution / Double Cylinder	F87	CGN09, CAL09	ND82PD	10G17	CL3332	GT 128	T411	5430L	----
Exit / Communicating	F89	GN50	ND25D	10G15-3	CL3380	GT 125	----	5428L	----
Dormitory	F90	CAL101	ND73PD	10G54	CL3375	GT 165	T571	5422L	3473

**PIONEER “SL” SERIES, EXPLORER “XP” SERIES (GRADE 2 NON-CLUTCH LEVER)
PIONEER “CSL” SERIES (GRADE 2 CLUTCH LEVER)**

FUNCTION	ANSI #	CAL-ROYAL PIONEER	SCHLAGE NON-CLUTCH	SARGENT NON-CLUTCH	RUSSWIN CORBIN	PDQ	FALCON TUBULAR NON-CLUTCH	YALE	HAGER
Entrance	F109	CSL00 / SL00	AL53	65G05	CL3851	SP / SK	W511	5307LN	3553
Entrance with Push Button	F82	SL01	AL50	----	CL3861	116	W501	---	3550
Storeroom	F86	CSL05 / SL05	AL80	65G04	CL3857	115	W581	5305LN	3580
Classroom	F84	CSL03 / SL03	AL70	65G37	CL3855	148	W561	5308LN	3570
Passage	F75	SL30	AL10S	65U15	CL3810	126	W101	5301LN	3510
Dummy	----	SL40	AL170	65U93	CL3850	211 / 205	W12	5355LN	3517
Exit / Communicating	F89	SL50	AL25	N/A	CL3880	125	W161	5328LN	3525
Exit Communicating Keyed	----	SL80	----	----	----	----	----	----	----
Patio	F77	SL10	----	----	CL3840	GP182	----	----	----

CAL-ROYAL PRODUCTS, INC. COMPARISON CHART

GRADE 2 INTERCONNECTED LEVERSET (HIL, JHIL, CIL SERIES)

FUNCTION	ANSI #	CAL-ROYAL HIL, JHIL, CIL SERIES	SCHLAGE	FALCON	HAGER
Entrance - Single Locking	F95	HIL30, JHIL30, CIL30	S210PD	H2101	3710
Entrance - Double Locking	F97	HIL00, JHIL00, CIL00	S251PD	-	3753
Storeroom - Double Locking	F98	HIL05, JHIL05	S280	-	-

Other functions available upon request and subject to minimum quantity: Single / Double Dummy Trim

GRADE 2 CYLINDRICAL LEVER (SG DESIGN)

FUNCTION	ANSI #	CAL-ROYAL SG SERIES	SCHLAGE S	FALCON "Y" Dane	YALE 4300LN	PDQ SE	CORBIN RUSSWIN	HAGER 3600
Entrance	F109	SG00	S51PD	Y521	4307LN	SE-116	CL3751	3653
Storeroom	F86	SG05	S80PD	Y581	4305LN	SE-115	CL3759	3680
Classroom	F84	SG03	S70PD	Y561	4308LN	SE-148	CL3755	3670
Patio	F77	SG10	----	----	----	----	----	----
Privacy	F76	SG20	S40D	Y301	4302LN	SE-176	CL3720	3640
Passage	F75	SG30	S10D	Y101	4301LN	SE-126	CL3710	3610
Dummy	----	SG40	S170	Y12	4355LN	SE-211	CL3750	3617
Exit	F89	SG50	----	Y161	----	SE-125	CL3780	----

GRADE 2 CYLINDRICAL LOCKSET, ORBIT STYLE (BA & PLG DESIGNS)

FUNCTION	ANSI #	CAL-ROYAL BA SERIES	SCHLAGE A SERIES	CORBIN 5600	RUSSWIN 3300	SARGENT 6 LINE	YALE 5300	ARROW 151	PDQ SV	FED. NO.
Entrance	F109	BA00	A53PD	5651	CK4251	6G05	5307	151	SV116	160A
Privacy	F76	BA20	A40S	5620	CK4220	6U65	----	157	SV176	160L
Passage	F75	BA30	A10S	5610	CK4210	6U15	5301	156	SV126	160N
Storeroom	F86	BA05	A80PD	5657	CK4257	6G04	5305	151F	SV115	160D
Classroom	F84	BA03	A70PD	5655	CK4255	6G37	5308	151S	SV148	160R
Communicating / Double Cylinder	F80	BA04	A66D	----	CK4262	----	5316	----	SV137	----
Single Dummy	F79	BA40	A170	½ DT	CK4250	6U93	355	125	SV211	----
Storage	F91	BA02	----	----	CK4282	----	----	----	----	----
Institution	F87	BA09	----	----	CK4232	----	----	----	----	----
Exit	F89	BA50	A25D	----	----	6G15-3	5328	156CB	SV125	----