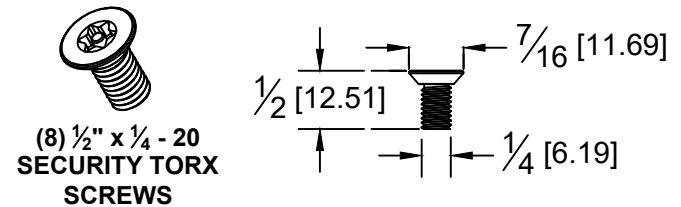
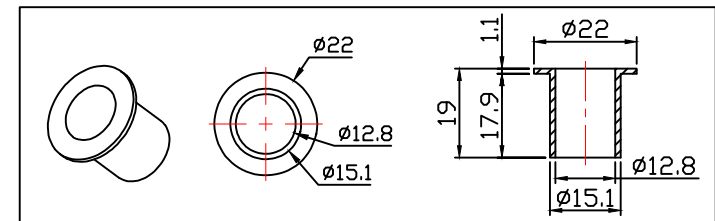
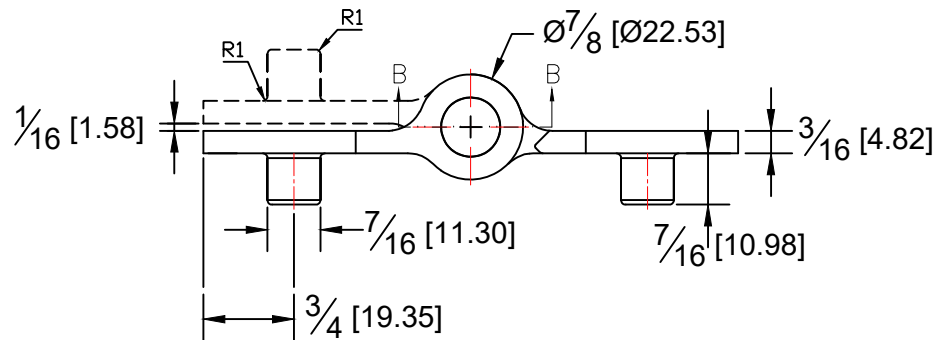
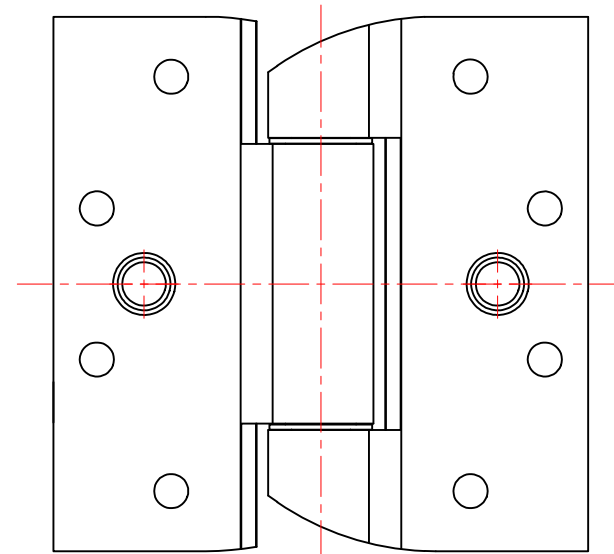
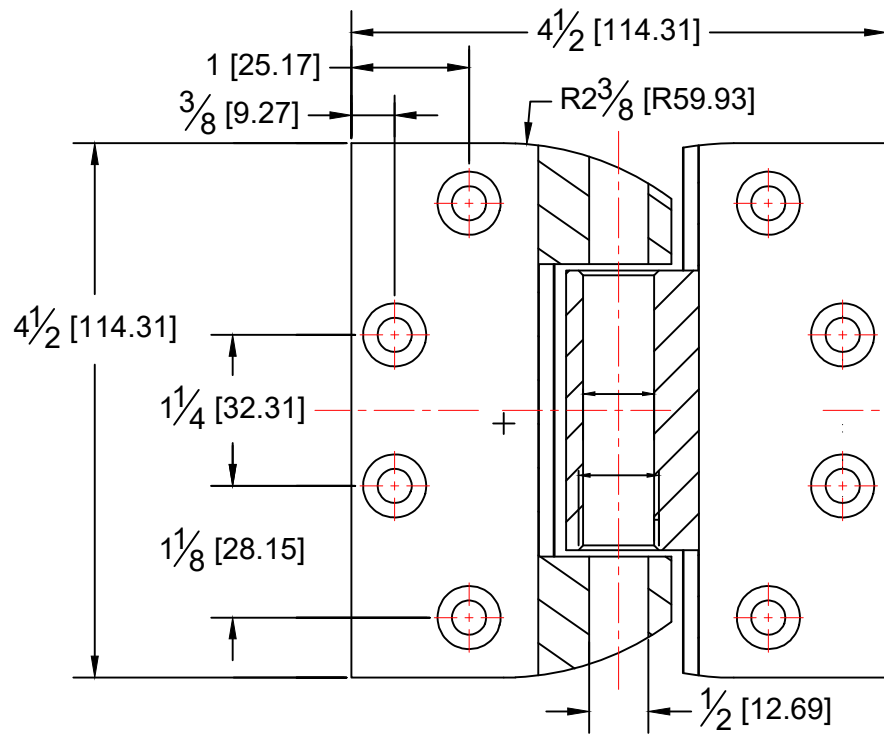


SECTION B-B



The illustration and technical description in this cut sheet is current as of the date in version date on the right. Cal-Royal Product reserves the right to, and may, on occasions, make changes and/or improvements in designs and dimensions without prior notice.



6605 Flotilla Street
City of Commerce
CA 90040 USA
Tel:# (323) 888-6601
FAX # (323) 888-6699
WEB SITE:
CAL-ROYAL.COM
Email: sales@cal-royal.com

ITEM NO.	DESCRIPTION :	NOT TO SCALE	UNIT	Prepared By:	DATE	DWG. NO.
PH4545	INSTITUTIONAL PRISON HINGE, HEAVY WEIGHT, CONCEALED BALL BEARING, FULL MORTISE TEMPLATE, 4-1/2" X 4-1/2" SQUARE CORNER	PAGE 1 OF 1	PRIMARY DIMENSION SHOWN IN INCHES, DIMENSIONS IN () ARE MM	BBT / ADG / CVL / CMT	03/07/2024	HGT-3058-03/24-1of1
						REV-00