

# CHALLENGER

## NON CLUTCH MECHANISM CYLINDRICAL LEVERSET

Optional tactile warning meets handicap and fire code

Push in and turn button function

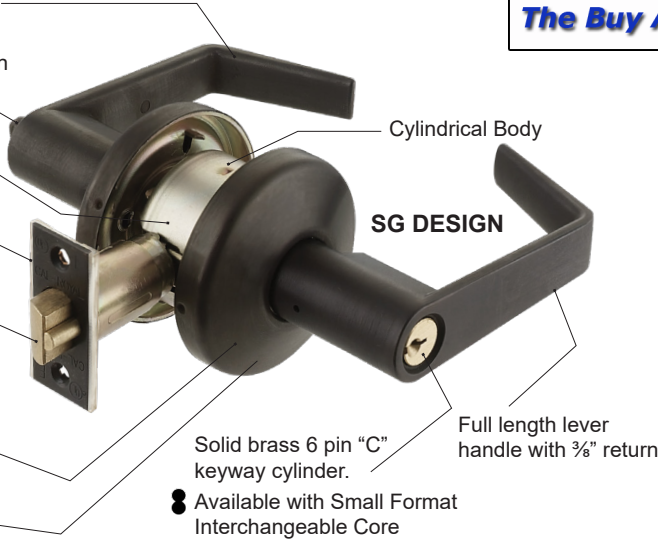
Coil compression springs provide great strength and durability

Plastic filler for use on 1 1/8" door prep

UL LISTED 3 HOUR RATED 1/2" Throw deadlatch completely reversible for flat & beveled doors

Individual spring on each side to prevent lever sag, maintain reliability and reduce maintenance

Concealed mounting screws



**LIFETIME WARRANTY**

**BHMA CERTIFIED**  
Be Safe. Be Secure. Look for the Mark.

**MEETS**  
*The Buy American Act*

Meets ADA requirements  
Specially designed for Barrier Free Application  
Conforms with ANSI A156.2 Series 4000, Grade 2  
Exceeds 400,000 cycles



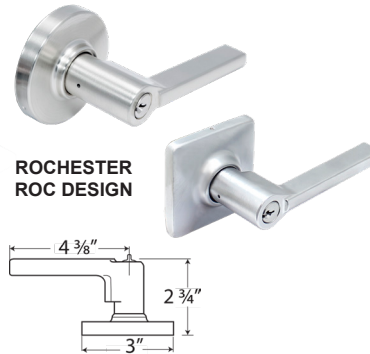
To order Square Rose, please refer to the bottom of the next page.



**MANHATTAN  
MAN DESIGN**



**DOVER  
DOV DESIGN**



**ROCHESTER  
ROC DESIGN**



**ASTOR  
AST DESIGN**

### SPECIFICATIONS

**APPLICATIONS**

For offices, schools, hospitals, apartments, hotel / motel, residential, commercial and public buildings.

**DOOR RANGES**

1 3/8" to 2" thickness.

**BACKSET**

2 3/4" Standard, 2 3/8", 3 3/4" and 5" optional.

2 3/8" Standard for Astor "AST" Design, 2 3/4" optional.

**LATCH BOLT**

1/2" Throw solid brass, reversible for RH or LH applications. UL Listed.

**LATCH FACEPLATE**

2 1/4" x 1", square corner packed with plastic filler for 1 1/8" width.

2 1/4" x 1", round corner for Astor "AST" Design

**ANSI STANDARDS**

Meets or exceeds requirements of BHMA / ANSI A156.2 Series 4000, Grade 2 (FF-H 106C), 400,000 cycles.

**EXPOSED TRIM**

Wrought brass, bronze or stainless steel, levers are Zinc casting, plated to match trim finish.

**KEYING**

6-pin "C" keyway cylinder, 2 keys per lock. Keying as per individual job requirement.

**CYLINDER & KEYWAYS**

6 pin solid brass "C" keyway standard. Schlage E, Schlage C-K, Russwin D1-2-3-4, Corbin 59 / 60, Corbin-Russwin L4, Sargent LA-LB-LC, Falcon / Weiser E, Arrow A, Yale 8, Yale GA and Kwikset. Can also accept Medeco, Assa, Kaba and Cal-Royal (HSK) High Security Cylinders.

**INTERCHANGEABLE CORE**

Interchangeable Core locks will accept compatible 6 or 7 pin cores with BEST, FALCON and ARROW. Prefix "IC" before part number. Available combined or uncombined. Temporary construction cores available. Factory keying with control key and master key available.

**STRIKES**

ASA strike standard, "T" and full lip strike available on request.

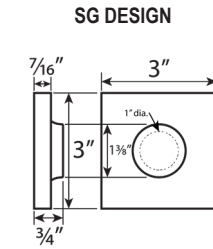
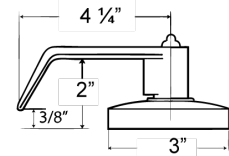
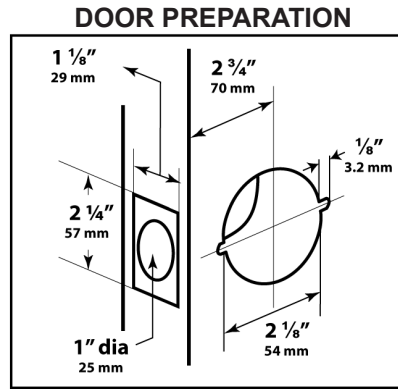
FLS strike standard for Astor "AST" Design.

**TACTILE & LEAD LINING** available upon request.

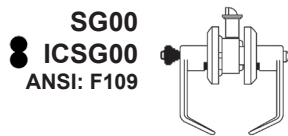
# CHALLENGER SERIES FINISHES AND FUNCTIONS



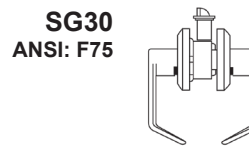
| FINISHES AVAILABLE |         |                               |
|--------------------|---------|-------------------------------|
| BHMA SYMBOL        | US CODE | DESCRIPTION                   |
| 622                | US1     | Flat Black Coated             |
| 605                | US3     | Polished Brass                |
| 606                | US4     | Satin Brass                   |
| 609                | US5     | Antique Brass                 |
| 612                | US10    | Satin Bronze                  |
| 613                | US10B   | Oil Rubbed Bronze             |
| 613E               | US10BE  | Dark Satin Bronze, Equivalent |
| 619                | US15    | Satin Nickel                  |
| 625                | US26    | Polished Chrome               |
| 626                | US26D   | Satin Chrome                  |



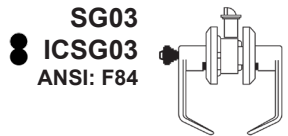
*Refer to price list for stock finishes and functions*



**SG00**  
**ENTRANCE / OFFICE LOCK**  
Turn / Push button locking. Pushing and turning button locks outside lever requiring use of key until button is manually unlocked. Pushing button locks outside lever until unlocked with key or inside lever is turned.



**SG30**  
**PASSAGE SET**  
ANSI: F75  
Latch bolt operated by lever from either side at all times.



**SG03**  
**CLASSROOM LOCK**  
ANSI: F84  
Dead locking latch bolt operated by lever from either side except when outside lever is locked from outside by key. When outside lever is locked, latch bolt is operated by turning inside lever.



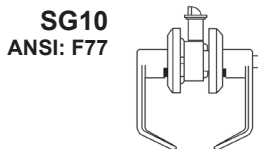
**SG40**  
**DUMMY LEVER**  
Single dummy trim for one side of door. Pull only.



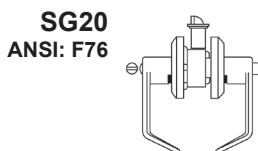
**SG05**  
**STOREROOM LOCK**  
ANSI: F86  
Dead locking latch bolt operated by key in outside lever or by rotating inside lever. Outside lever is always fixed.



**SG50**  
**EXIT LOCK**  
ANSI: F89  
Blank plate outside. Inside lever always unlocked.



**SG10**  
**PATIO**  
ANSI: F77  
Deadlocking latch bolt operated by lever from either side. Outside lever is locked by push button inside and unlocked by rotating inside lever or closing door.



**SG20**  
**PRIVACY LOCK**  
ANSI: F76  
Latch bolt operated by lever from either side. Outside lever is locked by push button inside and unlocked by emergency release outside. Turning inside lever or closing door releases push button.

“IC” Indicates function available with BEST, FALCON & ARROW Interchangeable Core.

**OTHER FUNCTIONS NOT LISTED ARE AVAILABLE UPON REQUEST**

## HOW TO ORDER

**LEVER DESIGN + FUNCTION + FINISH**

|                                     |  |   |
|-------------------------------------|--|---|
| ↑<br>SG<br>MAN<br>DOV<br>ROC<br>AST | ↑<br>00 (Entrance)<br>03 (Classroom)<br>05 (Storeroom)<br>10 (Patio)<br>20 (Privacy)<br>30 (Passage)<br>40 (Single Dummy)<br>50 (Exit) | ↑<br>Refer to table above<br>for finishes available<br>on each lever design |
|-------------------------------------|--|---|

Example: “**SG20 US26D**” for “SG” lever design, Privacy Function in US26D finish.

**Notes:**

1. Round Rose Standard.
2. Square Rose also available.

for **Square Rose** option, Insert “-SQ” after function number when ordering.

Example: “**SG20-SQ US26D**” for “SG” lever design, Privacy Function with Square Rose in US26D.