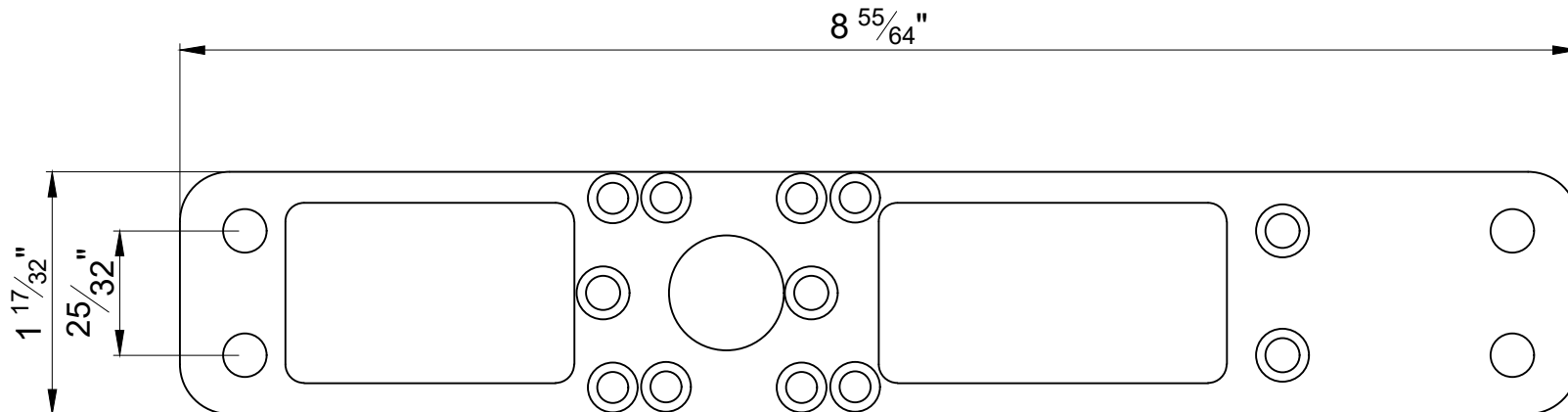
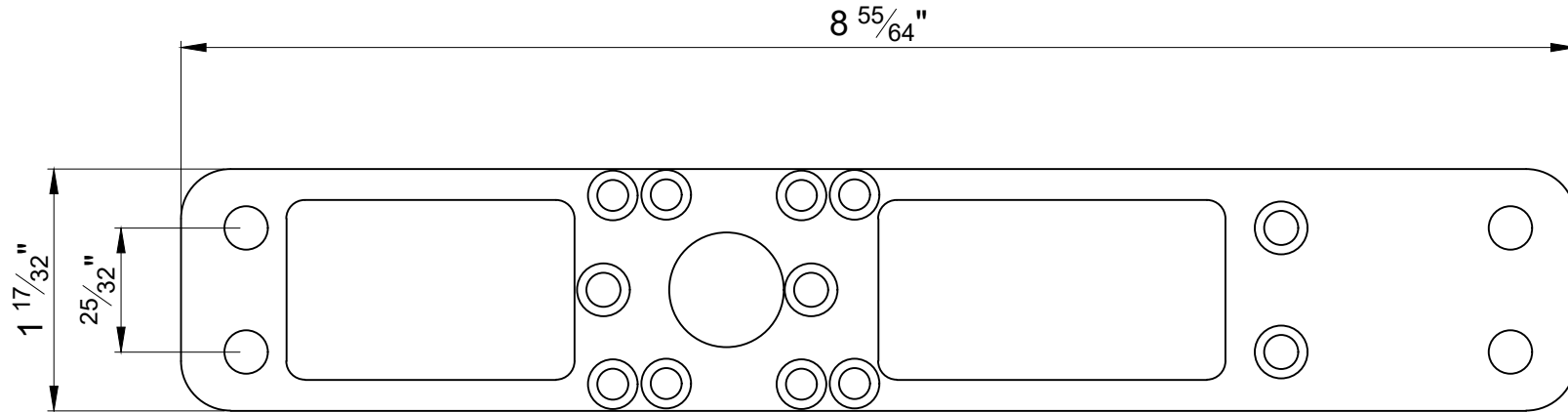




## Dimension of Glass 201 Shim Kit (Trim Mounting Plate) for 45-RIM



Thickness: 3mm

EDT - 4039 - 01/23 - 1 OF 2

## Glass Shim Kit (Trim Mounting Plate) for 45-RIM

