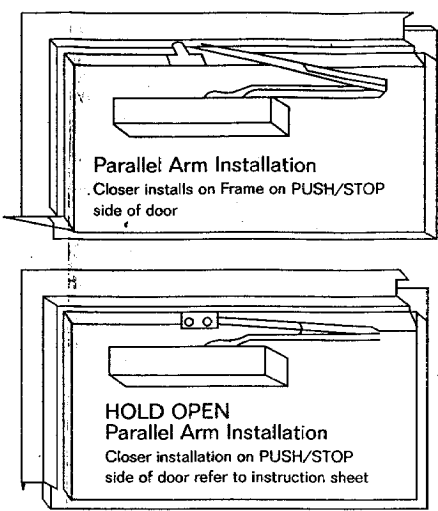
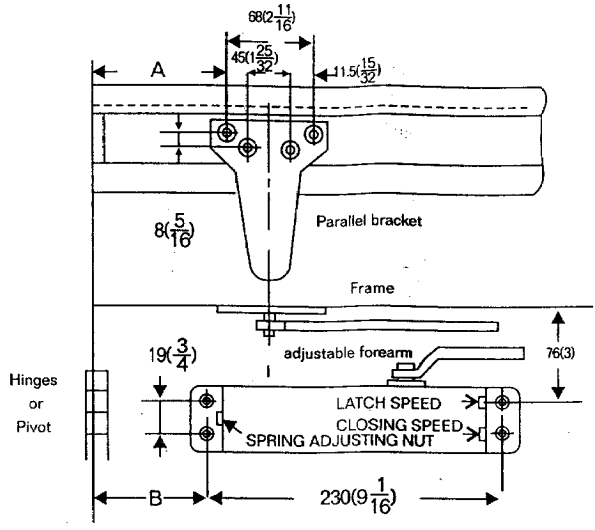




Surface Mounted  
Adjustable & Preset "Back-Check"  
300 Series  
Non Hold-Open  
Optional BF/DA

# Installation Instructions for PARALLEL ARM (PUSH SIDE) Mounting



OPENING	DIM.A	DIM.B
TO 100°	200mm(7-7/8)	150mm(5-29/32)
120°-180°	170mm(6-11/16)	120mm(4-23/32)

- Left hand door shown
- Right hand door opposite
- Dimensions are in inches
- Drawing not to scale

## INSTALLATION INSTRUCTIONS

1. Select degree of opening from table and use template dimensions shown in above. mark 4 holes on door for door close and four (4) underside of frame for bracket.
2. Drill pilot holes in door and frame for #14 all-purpose screws or drill and tap for 1/4-20 machine screws.
3. Mount closer on door using screws provided, SPRING POWER ADJUSTING NUT MUST BE POSITIONED TOWARD HINGE EDGE.
4. Install Parallel Arm Bracket to Frame Using screw provided.
5. Using a wrench on the square shaft at bottom of closer, rotates shaft approximately 45° toward hinge edge of door. Hold and place main arm of shaft on top of closer at proper index mark as illustrated, FOR LEFT HAND DOOR "L" (Illustration "A"). FOR RIGHT HAND DOOR "R" (Illustration "B"). Tighten arm screw with lockwasher securely.
6. Remove arm shoe from the forearm and discard (arm shoe is not used for parallel installation) and tighten screw securely.
7. Adjust length of adjustable forearm so that adjustable forearm is parallel to frame.
8. Snap pinion cap over shaft at bottom of closer. (When using full cover, pinion cap is not necessary).
9. Adjust closing speed, back check control and spring power of door, following instructions as shown page 4.

## Top View Typical Installation

