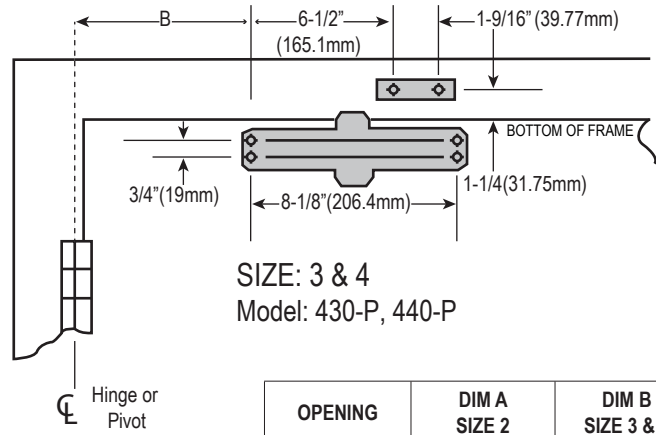
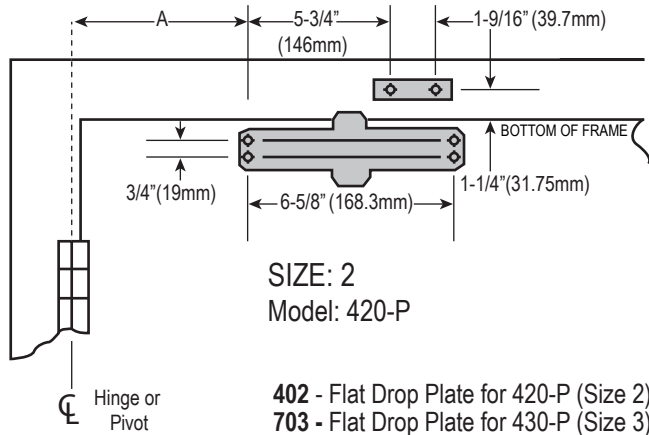
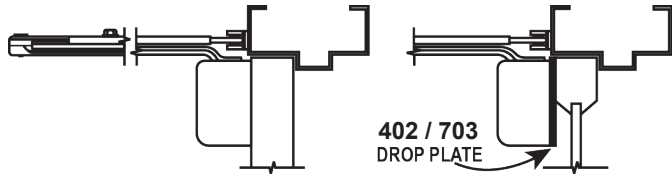


400 SERIES : REGULAR ARM INSTALLATION (PULL SIDE)

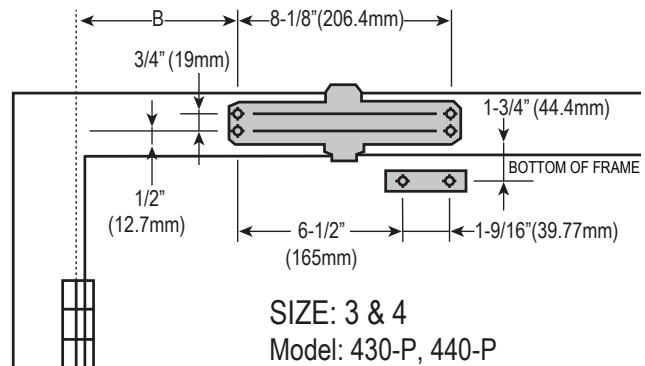
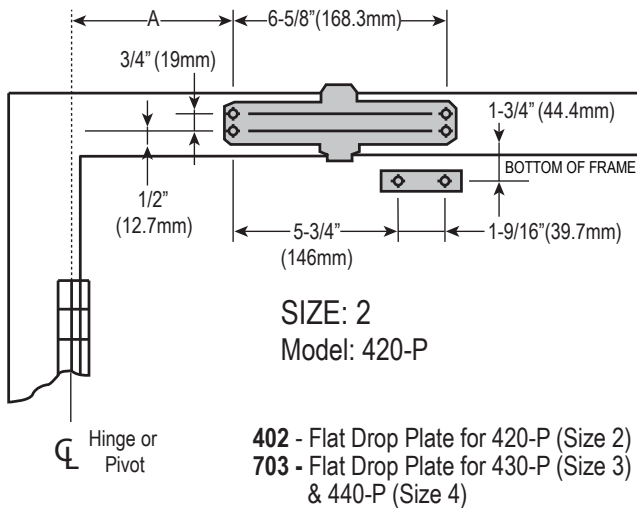


OPENING	DIM A SIZE 2	DIM B SIZE 3 & 4
120° - 180°	3-3/4" (95.25 mm)	4-3/4" (120.1 mm)
OVER 180°	2-9/16" (65 mm)	3-1/8" (79.4 mm)

- RIGHT HAND DOOR SHOWN
- LEFT HAND DOOR OPPOSITE
- DIMENSIONS ARE IN INCHES
- DRAWING NOT TO SCALE

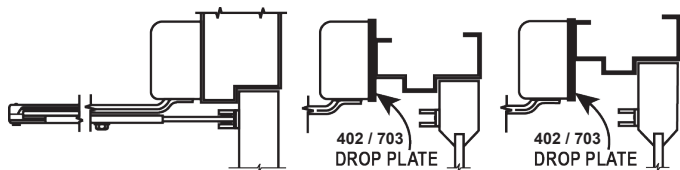


400 SERIES : TOP JAMB INSTALLATION (PUSH SIDE)

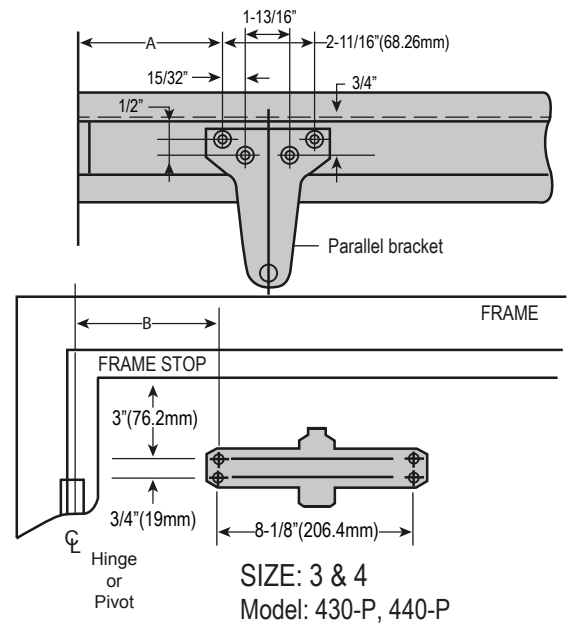
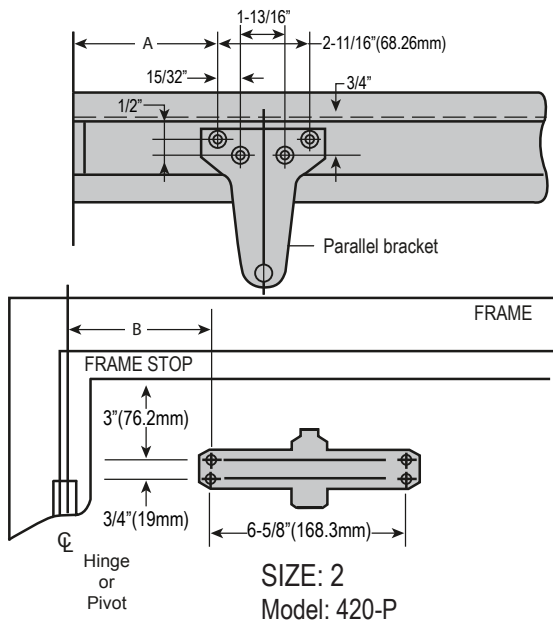


OPENING	DIM A SIZE 2	DIM B SIZE 3 & 4
120° - 180°	3-3/4" (95.25 mm)	3-1/8" (79.4 mm)
OVER 180°	2-9/16" (65 mm)	4-3/4" (120.1 mm)

- LEFT HAND DOOR SHOWN
- RIGHT HAND DOOR OPPOSITE
- DIMENSIONS ARE IN INCHES
- DRAWING NOT TO SCALE

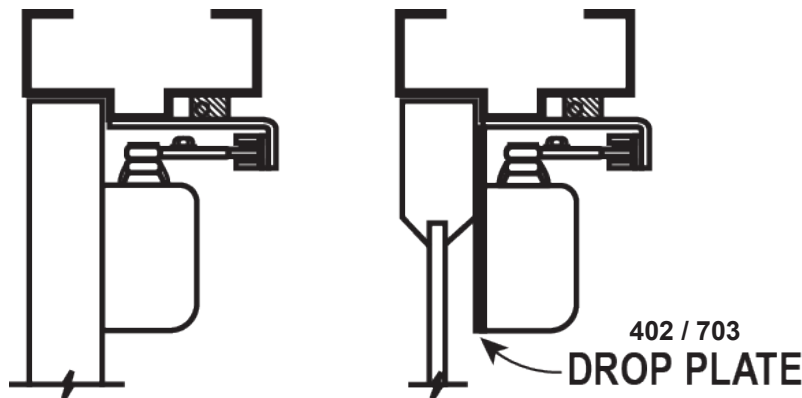


400 SERIES : PARALLEL ARM INSTALLATION (PUSH SIDE)



- LEFT HAND DOOR SHOWN
- RIGHT HAND DOOR OPPOSITE
- DIMENSIONS ARE IN INCHES
- DRAWING NOT TO SCALE

OPENING	DIM A SIZE 2	DIM B SIZE 2	DIM A SIZE 3 & 4	DIM B SIZE 3 & 4
120° - 180°	5-7/8" (149.2 mm)	4-11/16" (119 mm)	7-7/8" (200 mm)	6-11/16" (169.8 mm)
OVER 180°	4-11/16" (119 mm)	3-1/2" (88.9 mm)	6-11/16" (169.8 mm)	5-1/2" (139.7 mm)



402 - Flat Drop Plate for 420-P (size 2)

703 - Flat Drop Plate for 430-P (size 3) and 440-P (size 4)