

Trim Selection



LEVER DESIGN

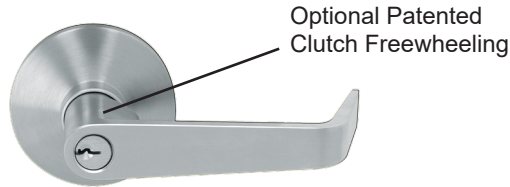
Non handed (Optional Clutch)

Tubular body hardened steel heavy duty tailpiece.
For 1 3/4" doors. Available for fire and non-fire rated rim and vertical rod exit devices.

Rose diameter 3 1/2", lever length 4 3/4".

Fits and covers 161 cutout.

Finishes: US26D, 10B, 3



KNOB DESIGN

Non handed

Tubular body hardened steel heavy duty tailpiece.
For 1 3/4" doors. Available for fire and non-fire rated rim and vertical rod exit devices. Rose diameter 3 1/2".

Fits and covers 161 cutout.

Finishes: US32D, 10B, 3



8000L ENTRANCE
Key locks and unlocks lever.
Operates as classroom function.
ANSI Function (08)

8000K ENTRANCE
Key locks and unlocks lever.
Operates as classroom function.
ANSI Function (08)

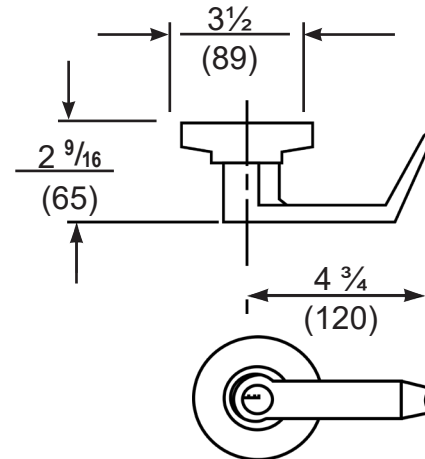
CLU5000L CLUTCH FREE WHEELING (ENTRANCE)
Key locks and unlocks lever.
Operates as classroom function.
ANSI Function (08)

8000KSTR STOREROOM
Key retracts latchbolt, otherwise always locked.
ANSI Function (09)

8000S STOREROOM
Key retracts latchbolt, otherwise always locked.
ANSI Function (09)

8000PAS PASSAGE
Lever always operable and free.
ANSI Function (14)

8000DUM DUMMY
Dummy trim. One sided.
ANSI Function (02)



KEYWAY: 6-Pin solid brass "C" keyway standard. Optional: Schlage E, Schlage C-K, Russwin D1-2-3-4, Corbin 59/60, Sargent LA-LB-LC, Falcon/Weiser E, Arrow A, Yale 8, Yale GA and Kwikset. Can also accept Medeco, Assa, Kaba and **Cal-Royal HSK** High Security Cylinders.

PULL DESIGN

FOR RIM DEVICES ONLY

Outside by pull and key.
Key retracts latchbolt.
ANSI Function (03)
Covers 161 cutout.

FINISHES

Powder Coated Aluminum (ALUM)

5000NL



5000DTP



Outside by pull only.
Pull when dogged.
ANSI Function (02)
Covers 161 cutout.

5000EOP



Outside by plate only.
ANSI Function (01)
Covers 161 cutout.

Optional Grade 1 Trims

CLUTCH CYLINDRICAL LEVER

Non-Handed Grade 1 (Clutch Style)

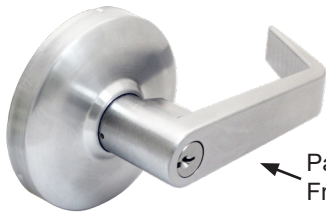
Cylindrical body hardened steel heavy duty tailpiece. For 1 3/4" and 2 1/4" doors. Prefix "THI" before Part # for 2 1/4" door thickness.

Available for fire and non-fire rated rim and vertical rod exit devices.

Rose diameter 3 1/2", lever length 4 3/4". Fits and covers 161 cutout.

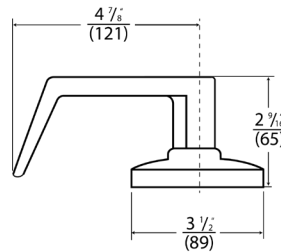
Finishes: US26D, US26, US3, US4, US10B, US10BE, US1

***GN DESIGN ONLY: ENT00L, ICENT00L, STR05L, ICSTR05L, PAS30L, DUM40L IN US32D FINISH, ALL STAINLESS STEEL EXTERIOR. INCLUDES GRADE 304SS LEVER AND ROSE**



GN DESIGN

Patented Clutch Freewheeling



- ENT00L or**
- **ICENT00L or**
 - **ICSCENT00L4**
 - **SARICENT00L** (Sargent)
 - **RUSICENT00L** (Corbin / Russwin)
 - **YALICENT00L** (Yale)

- STR05L or**
- **ICSTR05L or**
 - **ICSCSTR05L4**
 - **SARICSTR05L** (Sargent)
 - **RUSICSTR05L** (Corbin / Russwin)
 - **YALICSTR05L** (Yale)

PAS30L

DUM40L

- ENTRANCE**
- Key locks and unlocks lever. Operates as **CLASSROOM FUNCTION**. ANSI Function (08)

- STOREROOM**
- Key operates lever, otherwise always locked. ANSI Function (09)

- PASSAGE**
- Trim always operable and free. ANSI Function (14)

- DUMMY**
- Dummy trim. One sided ANSI Function (02)

KEYWAY: 6-Pin solid brass "C" keyway standard. Optional: Schlage E, Schlage C-K, Russwin D1-2-3-4, Corbin 59/60, Sargent LA-LB-LC, Falcon/Weiser E, Arrow A, Yale 8, Yale GA and Kwikset. Can also accept Medeco, Assa, Kaba and **Cal-Royal HSK** High Security Cylinders.

• **(IC) INTERCHANGEABLE CORE:** Interchangeable Core locks will accept compatible 6 or 7-Pin cores with **BEST, FALCON and ARROW**.

• **(ICSC) INTERCHANGEABLE CORE:** Indicates function available with **SCHLAGE, CORBIN/RUSSWIN, SARGENT and YALE Full Size Format** Interchangeable Core

KEYWAY	+	DESIGN	+	FUNCTION	+	FINISH
BEST, FALCON, & ARROW - SCHLAGE - CORBIN/RUSSWIN - SARGENT - YALE -		IC ICSC RUSIC SARIC YALIC		AT SPA TUB* AUG DAN LON TAC		ENT00L STR05L PAS30L DUM40L
<div style="display: flex; justify-content: space-between;"> <div style="width: 45%;"> <p>HOW TO ORDER IN LFIC</p> <p>Example: ICSCENT00L4 US26D in "SPA" design is ICSCSPAENT00L4 US26D</p> </div> <div style="width: 45%; border-left: 1px solid black; padding-left: 10px;"> <p>Anti-Microbial Coating available in US26D or US32D Only. Use part # "ANTB-TRIM" when ordering.</p> </div> </div>						

**Note: Yale LFIC is only available in GN, AT, SPA lever designs | TUB* is only available in SFIC.

Other Lever Trim Designs

• Available in SFIC & LFIC



AT

• Available in SFIC & LFIC



SPA

• Available in SFIC



TUB

• Available in SFIC & LFIC
**except YALE LFIC*



AUG

• Available in SFIC & LFIC
**except YALE LFIC*



DAN

• Available in SFIC & LFIC
**except YALE LFIC*



LON

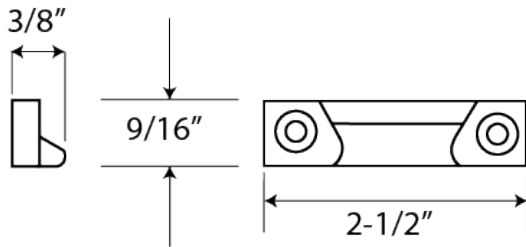
• Available in SFIC & LFIC
**except YALE LFIC*



TAC

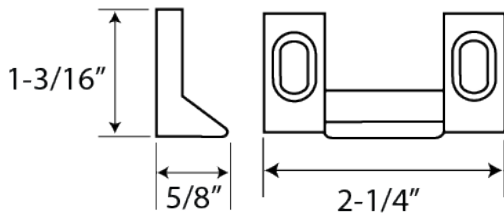
Strikes & Accessories

Strikes for use with T5000V vertical rod exit device All strikes are black nylon coated



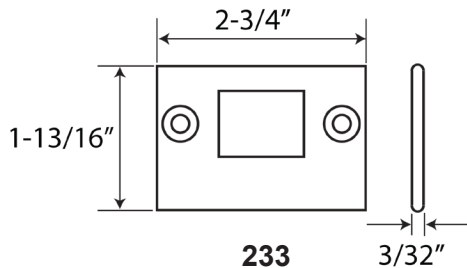
221

Standard for T5000V. Applied to surface of floor or to a flat threshold. Standard packaging.



227

Applied to surface of stop. No mortise required. Standard packaging.



233

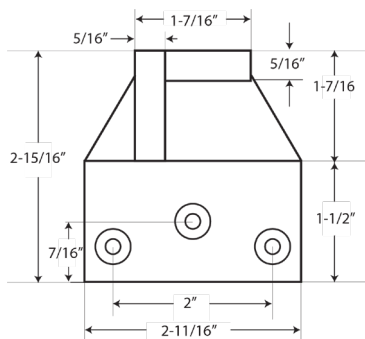
Bottom strike for TF5000V.

Flush mounting stainless steel. Furnished with expansion shields. Requires mortise in the floor. Standard packaging.

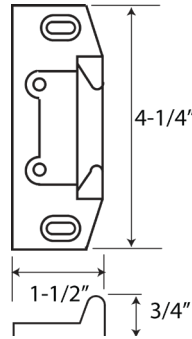
Overlapping Strikes

254

Surface applied. Used on inactive leaf for device on active leaf of pair of doors without mullion.

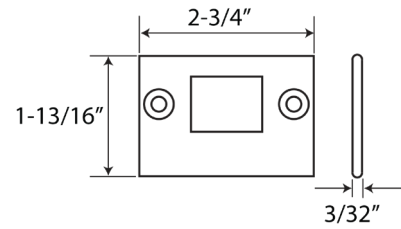


Strikes for use with TF5000V vertical rod fire exit device



245

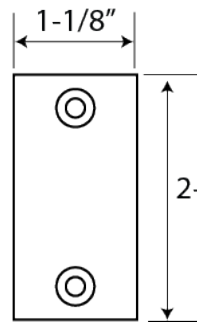
Surface applied for TF5000V. Standard packaging.



233

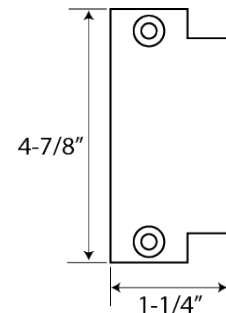
Bottom strike for TF5000V. Flush mounting stainless steel. Furnished with expansion shields. Requires mortise in the floor. Standard packaging.

Additional Accessories



LFF

Lock front filler



SF

Strike filler

Strike for use with T5000 and TF5000 rim type exit devices

938

For T5000 & TF5000 surface applied. Standard packaging

