

500 SERIES

ANSI A156.4 Grade 1, Optional Cover, Full Feature Closer
UL Listed, Conforms to Standards UL10C and UBC7-2-1997
BHMA Certified Lifetime Warranty



- Meets and Exceeds ANSI Standard A156.4 Grade 1
- Universal Hole Pattern Offering Versatility and Precision Engineering for New and Retrofit Market
- Hydraulic Door Closer with Standard Back-Check
- Optional Slim Plastic & Stainless Steel Covers, Full Stainless Steel Cover
- Adjustable Multi Size Commercial Door Closer Sizes 1 thru 5 meeting Barrier Free Applications



FEATURES

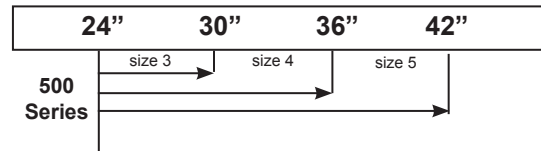
- Heavy Duty Cast Aluminum Hydraulic Door Closer with Standard Adjustable Back-Check Valve
- Factory Tested to Meet or Exceed ANSI Standard A156.4 Grade 1
- **500PBF**: Non-Sized, Fully Adjustable 1 thru 5, (Barrier Free ADA) Interior Doors. For 30-260 lbs Door Weight; **packed with PA bracket**
- **N500PBF**: Non-Sized, Fully Adjustable 1 thru 5, (Barrier Free ADA) Interior Doors. For 30-260 lbs Door Weight; **packed with slim plastic cover (500COV), sex bolts (970), and PA bracket (505)**
- Optional Slim Plastic Cover (500COV), Slim SS Cover (500COV-S)
- Optional Stainless Steel Full Cover (500COV 32D)
- Universal Mounting - Standard Size #4 Mounting Holes (9 1/16")
- Dual Valve, Closing and Latching Speed Controlled by Two Separate Regulating Valves
- Finishes Available: **500PBF** - Alum and Duro
N500PBF - Alum, Duro, Gold, and L1 (Black)

TABLE OF SIZES

Closing power of closers may be adjusted 50%

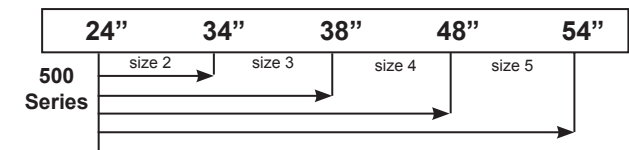
→ Shows recommended range of door width for closer size.

EXTERIOR (and VESTIBULE) DOOR WIDTH



Minimum Door Width

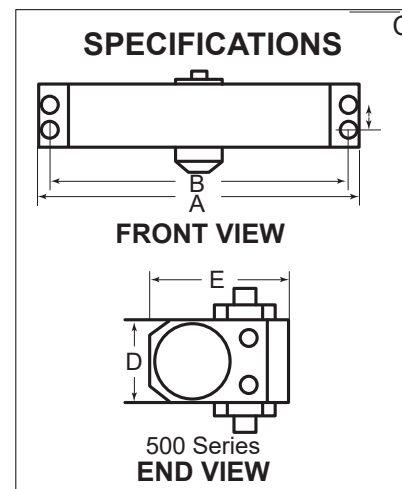
INTERIOR DOOR WIDTH



Minimum Door Width

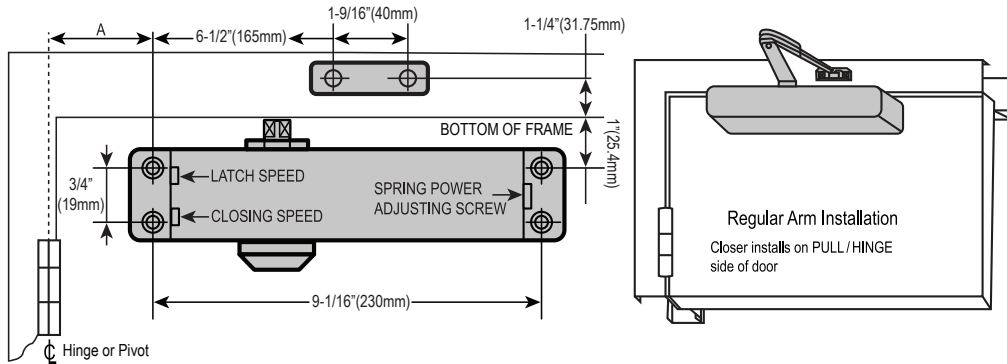
Adjustable Size 1 thru 5

DESCRIPTION	500PBF
A. Length of Closer Body	9 3/4"
B. Horizontal Mounting Holes	9 1/16"
C. Vertical Mounting Holes	3/4"
D. Height of Closer Body	1 3/4"
E. Projection from Door	2 7/8"

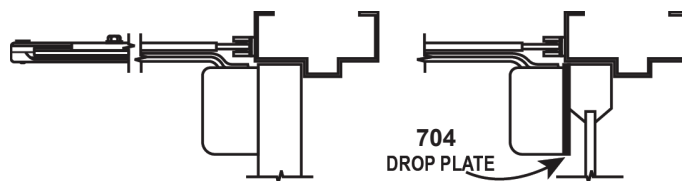


MOUNTING INFORMATION

500 SERIES : REGULAR ARM INSTALLATION (PULL SIDE)

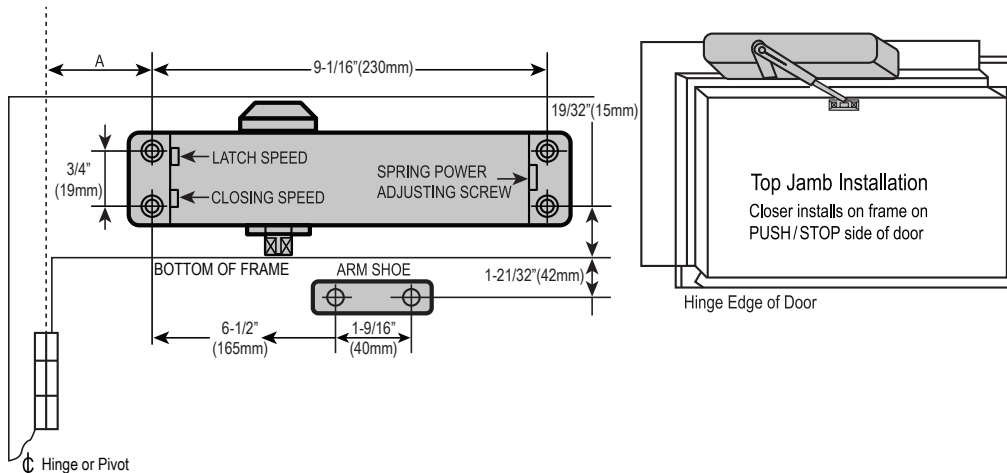


OPENING	DIM A
TO 100°	4-23/32" (120 mm)
100° - 120°	4-23/32" (120 mm)
OVER 180°	3-5/32" (80 mm)

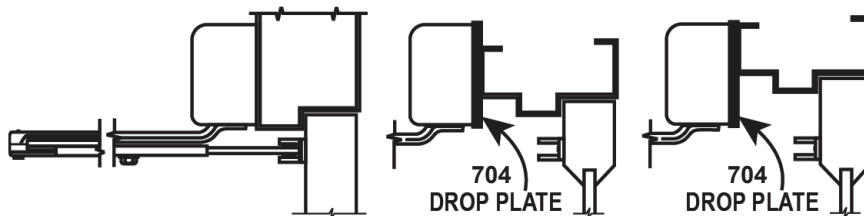


- RIGHT HAND DOOR SHOWN
- LEFT HAND DOOR OPPOSITE
- DIMENSIONS ARE IN INCHES
- DRAWING NOT TO SCALE

500 SERIES: TOP JAMB INSTALLATION (PUSH SIDE)

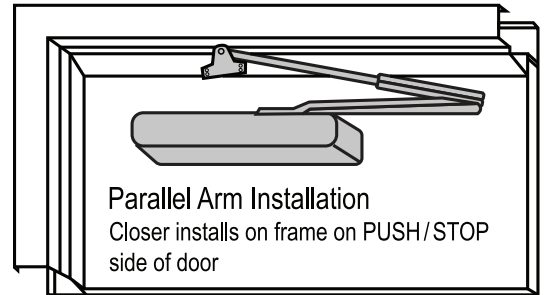
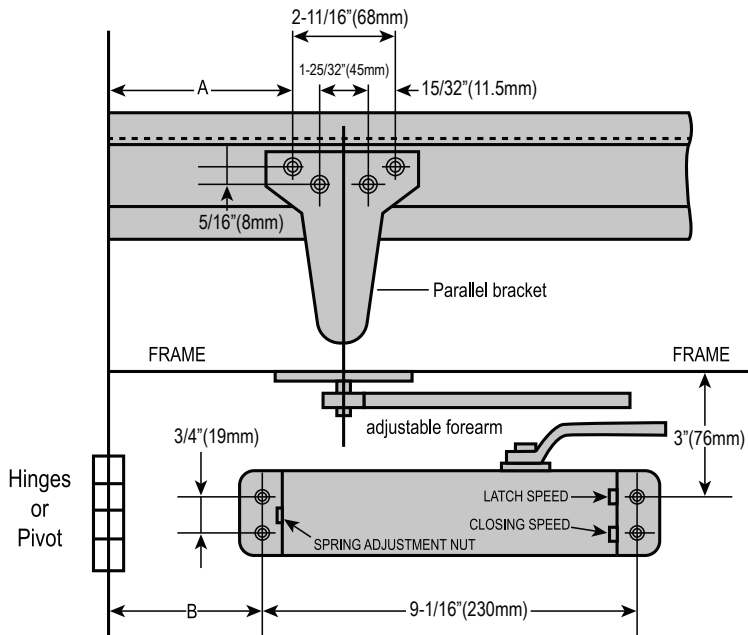


OPENING	DIM A
TO 100°	5-1/2" (140 mm)
100° - 120°	5-1/8" (130 mm)
OVER 180°	3-17/32" (90 mm)



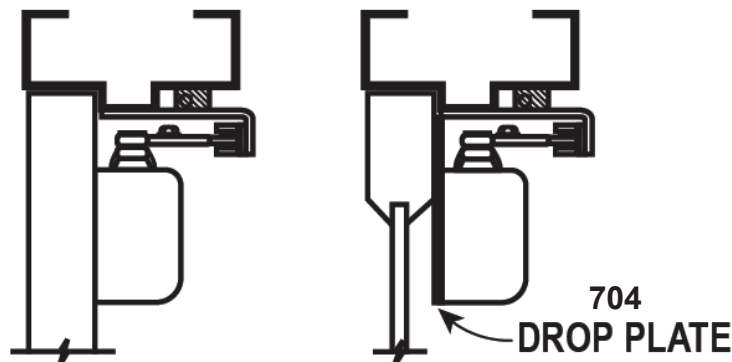
- LEFT HAND DOOR SHOWN
- RIGHT HAND DOOR OPPOSITE
- DIMENSIONS ARE IN INCHES
- DRAWING NOT TO SCALE

500 SERIES : PARALLEL ARM INSTALLATION (PUSH SIDE)



- LEFT HAND DOOR SHOWN
- RIGHT HAND DOOR OPPOSITE
- DIMENSIONS ARE IN INCHES
- DRAWING NOT TO SCALE

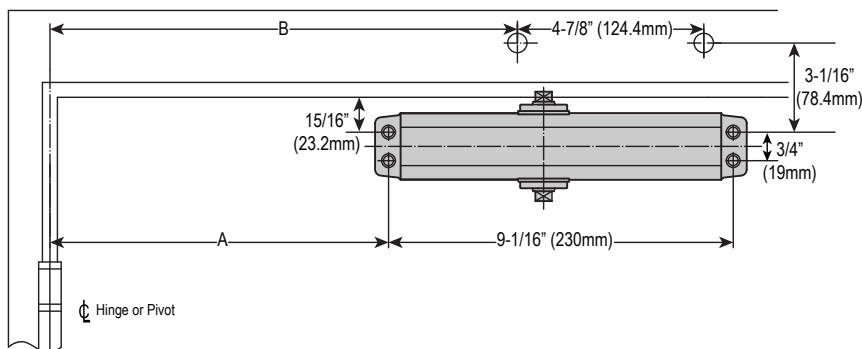
OPENING	DIM A	DIM B
TO 100°	7-7/8" (200 mm)	5-29/32" (150 mm)
120° - 180°	6-11/16" (170 mm)	4-23/32" (120 mm)



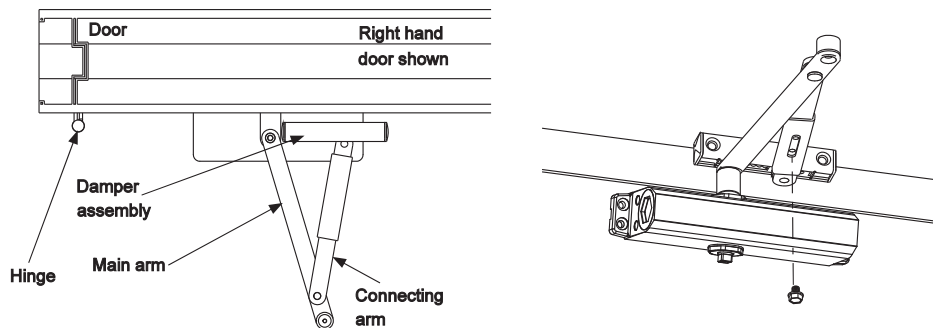
RHDSA-SS ARM INSTALLATION

Cushion Heavy Duty Stop Spring Arm with Spring Shoe

500 SERIES : REGULAR ARM INSTALLATION (PULL SIDE)

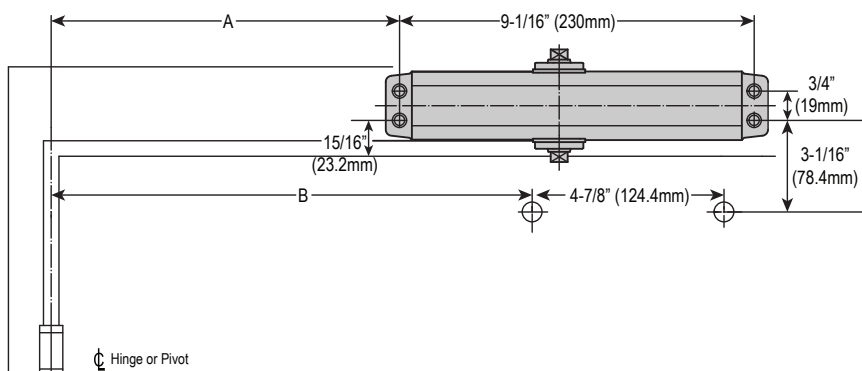


OPENING	DIM A	DIM B
TO 85°	8-7/8" (226mm)	12-1/4" (312mm)
TO 90°	8-1/4" (210mm)	11-5/8" (296mm)
TO 100°	7-3/8" (188mm)	10-13/16" (274mm)
TO 110°	6-5/8" (168mm)	10-1/16" (255mm)

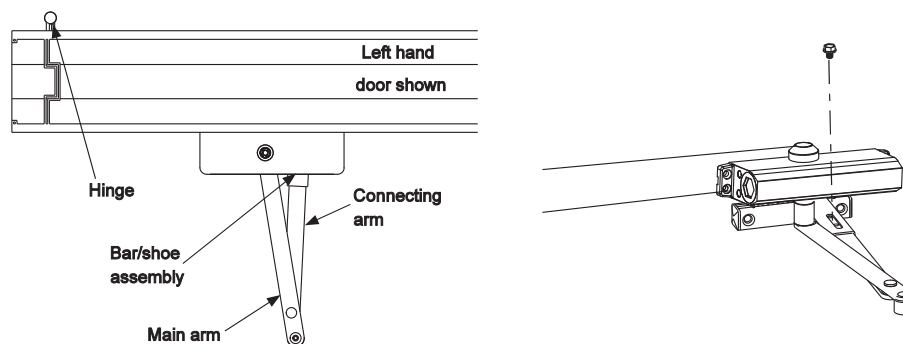


- RIGHT HAND DOOR SHOWN
- LEFT HAND DOOR OPPOSITE
- DIMENSIONS ARE IN INCHES
- DRAWING NOT TO SCALE

500 SERIES : TOP JAMB INSTALLATION (PUSH SIDE)



OPENING	DIM A	DIM B
TO 85°	7-13/16" (198.4mm)	11" (279mm)
TO 90°	7-1/2" (190.4mm)	10-11/16" (271mm)
TO 100°	6-3/8" (162.4mm)	9-9/16" (243mm)
TO 110°	5-3/4" (146.4mm)	8-15/16" (227mm)

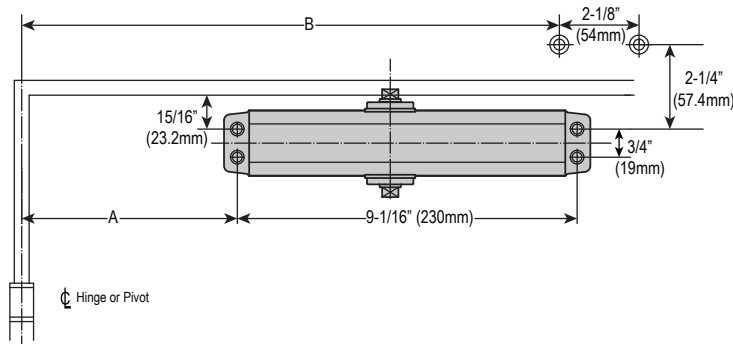


- LEFT HAND DOOR SHOWN
- RIGHT HAND DOOR OPPOSITE
- DIMENSIONS ARE IN INCHES
- DRAWING NOT TO SCALE

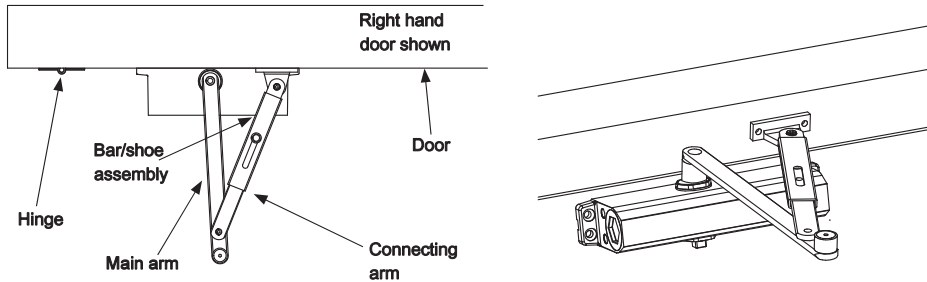
RHDSTP ARM INSTALLATION

Cushion Heavy Duty Stop Arm

500 SERIES : REGULAR ARM INSTALLATION (PULL SIDE)

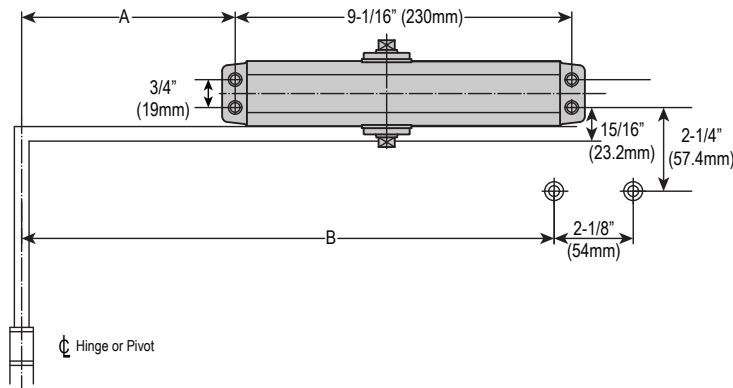


OPENING	DIM A	DIM B
TO 85°	5-3/4" (146mm)	14-5/16" (364mm)
TO 90°	5-1/8" (130mm)	14" (355mm)
TO 95°	4-5/16" (110mm)	13-11/16" (348mm)
TO 100°	5-1/4" (133mm)	13-1/16" (332mm)
TO 105°	3-3/4" (95mm)	12-3/4" (323mm)
TO 110°	3-5/8" (92mm)	12-5/16" (313mm)

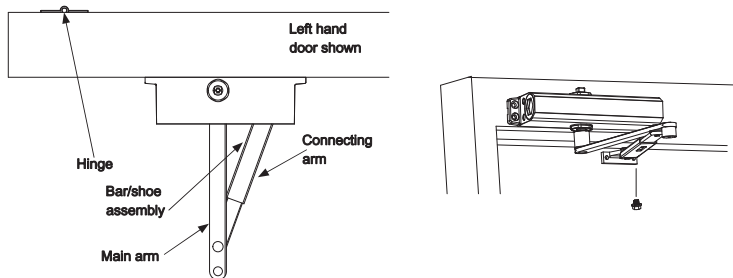


- RIGHT HAND DOOR SHOWN
- LEFT HAND DOOR OPPOSITE
- DIMENSIONS ARE IN INCHES
- DRAWING NOT TO SCALE

500 SERIES : TOP JAMB INSTALLATION (PUSH SIDE)



OPENING	DIM A	DIM B
TO 85°	6-3/8" (162mm)	13-3/8" (339mm)
TO 90°	5-5/8" (143mm)	12-13/16" (326mm)
TO 95°	5-3/8" (137mm)	12-7/16" (316mm)
TO 100°	5-1/8" (130mm)	12" (304mm)
TO 105°	4-7/8" (124mm)	11-11/16" (297mm)
TO 110°	4-5/8" (117mm)	11-7/16" (291mm)



- LEFT HAND DOOR SHOWN
- RIGHT HAND DOOR OPPOSITE
- DIMENSIONS ARE IN INCHES
- DRAWING NOT TO SCALE