

Alarm Exit Hardware



PANIC GRADE	FIRE GRADE
NALRM660036 - Alarm Rim Type 36" Door	FNALRM660036 - Alarm Rim Type 36" Door
NALRM662048 - Alarm Rim Type 48" Door	FNALRM662048 - Alarm Rim Type 48" Door

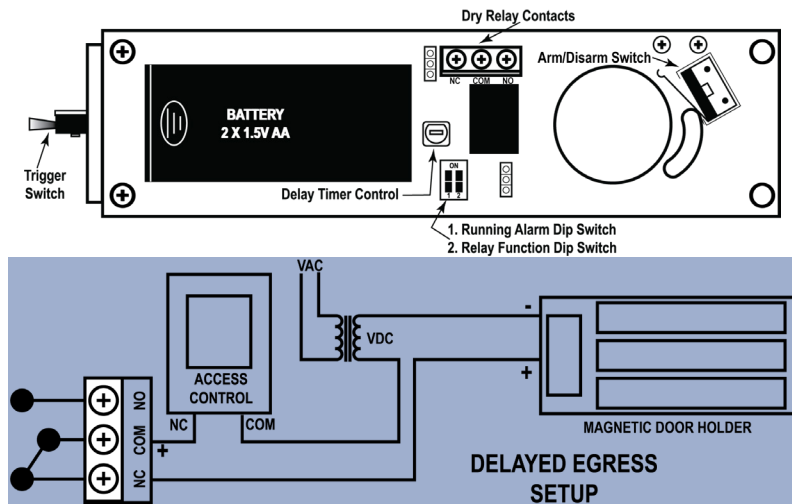
FEATURES

- Alarm unit has an internal horn. When the push rail is depressed, the horn sounds to provide an audible means of signaling that the door has been opened and breached.
- The alarm will sound continuously for 150 seconds or until disarmed. A running alarm mode can be set to sound a 6-second beep every 6 seconds after the initial 150 seconds expires. Running alarm will sound until the unit is disarmed or until battery runs out of power.
- Alarm sound frequency is 120 db
- The key switch to turn alarm off is a standard 1 1/4" cylinder with "C" keyway. The alarm operates on two standard 1.5-volt AA battery.
- Unit includes a decal for application on door or unit: **"EMERGENCY EXIT ONLY ALARM WILL SOUND"**
- FIRE ALARM** - a built-in heat sensor will sound a continuous 0.3 sec interval beeping sound when surrounding temperature reaches 122°F ±7.2°F, until it is disarmed or the temperature goes down to 113°F or below.
- LOW BATTERY ALARM** - When battery voltage drops to 2.4VDC ± 0.1VDC a 0.3 sec beep every 3 seconds will sound.

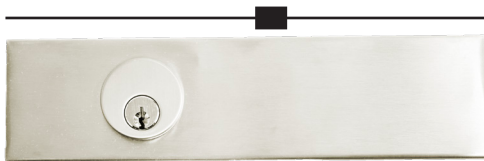


FOR OTHER TYPES, PREFIX "NALRM" BEFORE PART#

RELAY SWITCHING FUNCTION - A relay switching function and dry relay contact, together with a programmable built-in timer can be utilized to set up a delayed egress application when used with a *magnetic door holder**.



*Magnetic Door Holder not included, must purchase from 3rd party



Cylinder Dogging Kit

TO ORDER: Prefix "CD" before PART #. Available for all 6600 Series devices except fire exit hardware.
To order KIT ONLY: use PART # 36CD6600 for 36" and 48CD6600 for 48" devices. Specify finish.

Finishes (Refer to Price List for Stock Finishes)

Cal-Royal	Description	BHMA	US Finish	Material
DURO	Duronodic	313	710	Bronze
ALUM	Aluminum	628	US28	Aluminum
US32D	Satin Stainless	630	US32D	Stainless Steel

Ⓜ(IC) INTERCHANGEABLE CORE locks will accept compatible 6 or 7-Pin cores with **BEST, FALCON and ARROW**.

Ⓜ(ICSC) INTERCHANGEABLE CORE available with **Schlage Full Size Format**. Corbin, Sargent and Yale format also available.

Trim Selection

CLUTCH CYLINDRICAL LEVER

Non-Handed Grade 1 (Clutch Style)

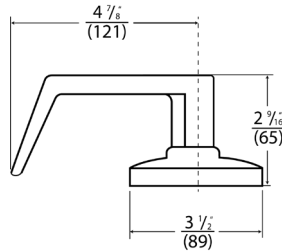
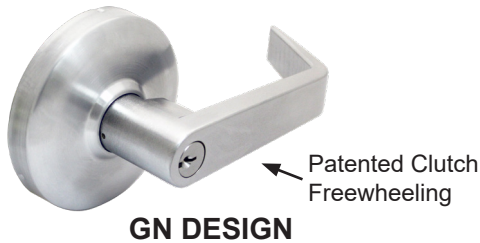
Cylindrical body hardened steel heavy duty tailpiece. For 1 3/4" and 2 1/4" doors. Prefix "THI" before Part # for 2 1/4" door thickness.

Available for fire and non-fire rated rim and vertical rod exit devices.

Rose diameter 3 1/2", lever length 4 3/4". Fits and covers 161 cutout.

Finishes: US26D, US26, US3, US4, US10B, US10BE, US1

***GN DESIGN ONLY: ENT00L, ICENT00L, STR05L, ICSTR05L, PAS30L, DUM40L IN US32D FINISH, ALL STAINLESS STEEL EXTERIOR. INCLUDES GRADE 304SS LEVER AND ROSE**



- ENT00L or
- ICENT00L or
- ICSCENT00L4
- SARICENT00L (Sargent)
- RUSICENT00L (Corbin / Russwin)
- YALICENT00L (Yale)

- STR05L or
- ICSTR05L or
- ICSCSTR05L4
- SARICSTR05L (Sargent)
- RUSICSTR05L (Corbin / Russwin)
- YALICSTR05L (Yale)

- PAS30L

- DUM40L

- ENTRANCE**
Key locks and unlocks lever. Operates as CLASSROOM FUNCTION. ANSI Function (08)

- STOREROOM**
Key operates lever, otherwise always locked. ANSI Function (09)

- PASSAGE**
Trim always operable and free. ANSI Function (14)

- DUMMY**
Dummy trim. One sided ANSI Function (02)

KEYWAY: 6-Pin solid brass "C" keyway standard. Optional: Schlage E, Schlage C-K, Russwin D1-2-3-4, Corbin 59/60, Sargent LA-LB-LC, Falcon/Weiser E, Arrow A, Yale 8, Yale GA and Kwikset. Can also accept Medeco, Assa, Kaba and **Cal-Royal HSK** High Security Cylinders.

- (IC) **INTERCHANGEABLE CORE:** Interchangeable Core locks will accept compatible 6 or 7-Pin cores with **BEST, FALCON and ARROW.**
- (ICSC) **INTERCHANGEABLE CORE:** Indicates function available with **SCHLAGE, CORBIN/RUSSWIN, SARGENT and YALE Full Size Format** Interchangeable Core

KEYWAY	+	DESIGN	+	FUNCTION	+	FINISH
BEST, FALCON, & ARROW - SCHLAGE - CORBIN/RUSSWIN - SARGENT - YALE -		IC ICSC RUSIC SARIC YALIC		AT SPA TUB* AUG DAN LON TAC		ENT00L STR05L PAS30L DUM40L

HOW TO ORDER IN LFIC

Example: ICSCENT00L4 US26D
in "SPA" design is
ICSCSPAENT00L4 US26D

**Note: Yale LFIC is only available in GN, AT, SPA lever designs | TUB* is only available in SFIC.

Other Lever Trim Designs

- Available in SFIC & LFIC **AT**

- Available in SFIC & LFIC **SPA**

- Available in SFIC **TUB**

- Available in SFIC & LFIC **except YALE LFIC* **AUG**

- Available in SFIC & LFIC **except YALE LFIC* **DAN**

- Available in SFIC & LFIC **except YALE LFIC* **LON**

- Available in SFIC & LFIC **except YALE LFIC* **TAC**

Anti-Microbial Coating available in US26D or US32D Only. Use part # "ANTB-TRIM" when ordering.

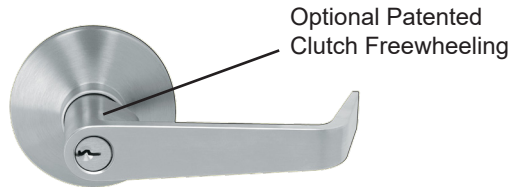
Trim Selection



LEVER DESIGN

Non-Handed (Optional Clutch)

Tubular body hardened steel heavy duty tailpiece. For 1 3/4" doors. Available for fire and non-fire rated rim and vertical rod exit devices. Rose diameter 3 1/2", lever length 4 3/4". Fits and covers 161 cutout. Finishes: US26D, 10B, 3

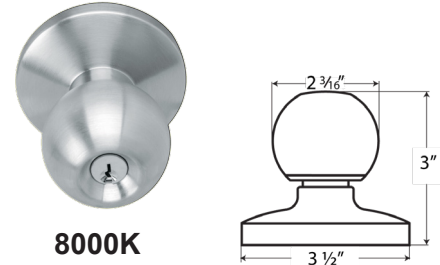


- 8000L** ENTRANCE
Key locks and unlocks lever. Operates as classroom function. ANSI Function (08)
- CLU5000L** CLUTCH FREE WHEELING (ENTRANCE)
Key locks and unlocks lever. Operates as classroom function. ANSI Function (08)
- 8000S** STOREROOM
Key retracts latchbolt, otherwise always locked. ANSI Function (09)
- 8000PAS** PASSAGE
Lever always operable and free. ANSI Function (14)
- 8000DUM** DUMMY
Dummy trim. One sided. ANSI Function (02)

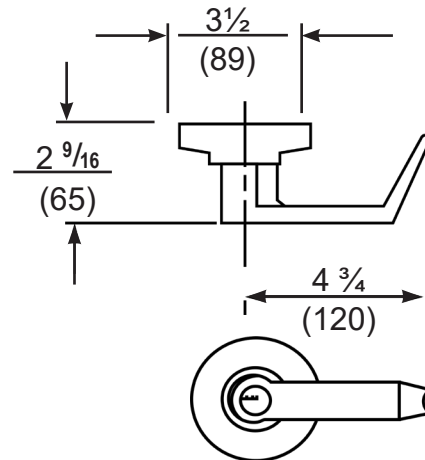
KNOB DESIGN

Non-Handed

Tubular body hardened steel heavy duty tailpiece. For 1 3/4" doors. Available for fire and non-fire rated rim and vertical rod exit devices. Rose diameter 3 1/2". Fits and covers 161 cutout. Finishes: US32D, 10B, 3



- 8000K** ENTRANCE
Key locks and unlocks lever. Operates as classroom function. ANSI Function (08)
- 8000KSTR** STOREROOM
Key retracts latchbolt, otherwise always locked. ANSI Function (09)



KEYWAY: 6-Pin solid brass "C" keyway standard. Optional: Schlage E, Schlage C-K, Russwin D1-2-3-4, Corbin 59/60, Sargent LA-LB-LC, Falcon/Weiser E, Arrow A, Yale 8, Yale GA and Kwikset. Can also accept Medeco, Assa, Kaba and **Cal-Royal HSK** High Security Cylinders.

PULL DESIGN

FOR RIM DEVICES ONLY

Outside by pull and key. Key retracts latchbolt. ANSI Function (03) Covers 161 cutout.

FINISHES

Powder Coated Aluminum (ALUM)



Outside by pull only. Pull when dogged. ANSI Function (02) Covers 161 cutout.



Outside by plate only. ANSI Function (01) Covers 161 cutout.

Trim Selection

CLUTCH LEVER ESCUTCHEON

CONSTRUCTION

- Non-Ferrous Alloy Material
- Clutch Mechanism
- Double Heavy Duty Spring Support to prevent sagging and enhance operation
- Grade 1, Thru-Bolted design. Non-Handed design.
- Easily field reversible
- Hardened Steel Heavy Duty Spindle.
- Available for Fire and Non-Fire Rated Rim and Vertical Rod Exit Devices
- Standard 6-Pin Schlage "C" Mortise Cylinder included

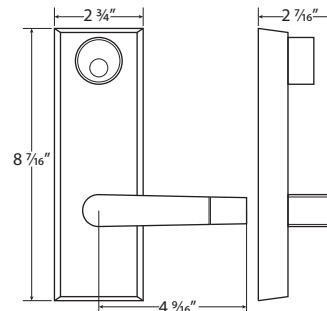
DOOR THICKNESS

Standard 1 3/4" to 2". For 2 1/4" thick door use additional **Part # TAIL3**

ESCUTCHEON DIMENSIONS

2 3/4" width x 8 7/16" length. Lever length: 4 9/16".

Fits and covers 2 1/8" 161 cutout



TO ORDER other lever design insert "RL" or "TUB" before "ESC":

e.g. **RLESC6600** for ESC6600 with RL design or **TUBESC6600** for ESC6600 with TUB design

ESC6600

- ICESC6600
- ICSCESC6600

ENTRANCE

Clutch Entrance, key locks or unlocks escutcheon trim ANSI Function (08) Operates as classroom function

ESC6605

- ICESC6605
- ICSCESC6605

STOREROOM

Clutch Storeroom, key unlocks lever, lever retracts latch bolt, otherwise always locked. ANSI Function (09)

ESC6630

PASSAGE

Trim always operable and free. ANSI Function (14)

ESC6640

DUMMY

Dummy Escutcheon trim ANSI Function (02)

KEYWAY: 6-Pin solid brass "C" keyway Mortise Cylinder standard. Optional: Schlage E, Schlage C-K, Russwin D1-2-3-4, Corbin 59/60, Sargent LA-LB-LC, Falcon/Weiser E, Arrow A, Yale 8, Yale GA and Kwikset. Can also accept Medeco, Assa, Kaba and **Cal-Royal HSK High Security** Cylinders.

- (IC) INTERCHANGEABLE CORE locks will accept compatible 6 or 7-Pin cores with **BEST, FALCON and ARROW**.
- (ICSC) INTERCHANGEABLE CORE available with **Schlage Full Size Format. Corbin, Sargent and Yale** format also available.

Lever Trim Designs



ESC6600



RLESC6600



TUBESC6600

Anti-Microbial Coating available in US26D Only. Use part # "**ANTB-TRIM**" when ordering.

Trim Selection

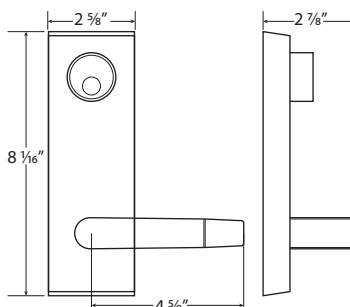
HEAVY DUTY STAINLESS STEEL

CLUTCH LEVER ESCUTCHEON

(High Frequency Abusive Situation such as Schools, Hospitals, Industrial / Institutional)

CONSTRUCTION

- **Stainless Steel Material**
- Clutch Mechanism
- Double Heavy Duty Spring Support to prevent sagging and enhance operation
- Grade 1, Thru-Bolted design. Non-Handed design.
- Easily field reversible
- Includes Adjustable Heavy Duty Steel Spindle.
- Available for Fire and Non-Fire Rated Rim and Vertical Rod Exit Devices
- Standard 6-Pin Schlage "C" Mortise Cylinder included



DOOR THICKNESS

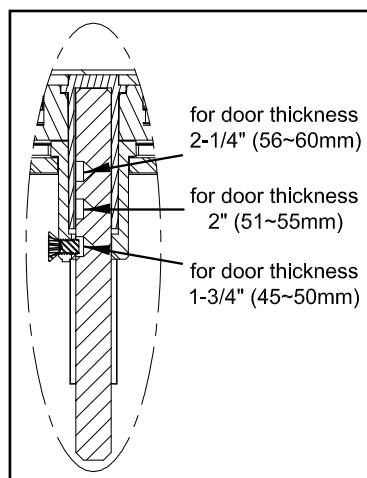
Standard 1 3/4" to 2 1/4".

Use Adjustable Spindle for 1 3/4", 2, 2 1/4" door thickness.

ESCUTCHEON DIMENSIONS

2 5/8" width x 8 1/16" length. Lever length: 4 5/8".

Fits and covers 2 1/8" 161 cutout



ESC3300

Ⓜ ICESC3300

Ⓜ ICSCESC3300

ESC3305

Ⓜ ICESC3305

Ⓜ ICSCESC3305

ESC3330

ESC3340

ENTRANCE

Clutch Entrance, key locks or unlocks escutcheon trim

ANSI Function (08) Operates as classroom function

STOREROOM

Clutch Storeroom, key unlocks lever, lever retracts latch

bolt, otherwise always locked. ANSI Function (09)

PASSAGE

Trim always operable and free. ANSI Function (14)

DUMMY

Dummy Escutcheon trim ANSI Function (02)

Lever Trim Designs



ESC3300



RLESC3300



TUBESC3300

Anti-Microbial Coating available in US32D Only. Use part # "ANTB-TRIM" when ordering.

TO ORDER other lever design insert "RL" or "TUB" before "ESC":

e.g. **RLESC3300** for ESC3300 with RL design

or **TUBESC3300** for ESC3300 with TUB design

KEYWAY: 6-Pin solid brass "C" keyway Mortise Cylinder standard. Optional: Schlage E, Schlage C-K, Russwin D1-2-3-4, Corbin 59/60, Sargent LA-LB-LC, Falcon/Weiser E, Arrow A, Yale 8, Yale GA and Kwikset. Can also accept Medeco, Assa, Kaba and **Cal-Royal HSK High Security** Cylinders.

Ⓜ(IC) **INTERCHANGEABLE CORE** locks will accept compatible 6 or 7-Pin cores with **BEST, FALCON and ARROW**.

Ⓜ(ICSC) **INTERCHANGEABLE CORE** available with **Schlage Full Size Format**. Corbin, Sargent and Yale format also available.

Trim Selection

PULL DESIGN

- 7700 NL
- IC7700NL
- ICSC7700NL

FOR RIM DEVICES ONLY

Outside by pull and key.
Key retracts latch bolt.
ANSI function (03)
Covers 161 cutout

KEYWAY

Standard 6-Pin solid brass "C" keyway Rim Cylinder included.

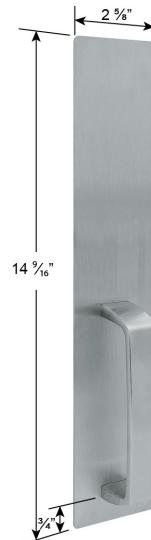
FINISHES

Architectural plated finishes.



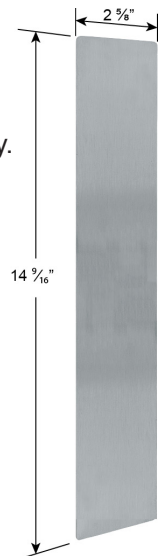
7700 DTP

Outside by pull only.
Pull when dogged.
ANSI function (02)
Covers 161 cutout.



7700 EOP

Outside by plate only.
ANSI function (01)
Covers 161 cutout



IMPORTANT: 7700 Series Exit Device Trims shown on this page can be used on the 6600 Series Exit Devices

- 77TP00 or
- IC77TP00
- ICSC77TP00

ENTRANCE

Key locks or unlocks thumbpiece.
(Operates as classroom function)
ANSI Function (05)

- 77TP05 or
- IC77TP05
- ICSC77TP05

STOREROOM

Key unlocks thumbpiece, thumbpiece retracts latch bolt, otherwise always locked.
ANSI Function (06)

77TP30

PASSAGE

Trim always operable and free.
ANSI Function (15)

77TP40

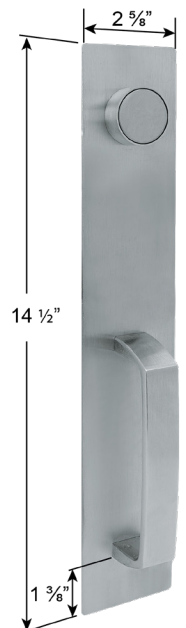
DUMMY

Dummy trim. **Includes blank Mortise dummy cylinder.** One sided.
ANSI Function (02)

KEYED



DUMMY



KEYWAY: 6-Pin solid brass "C" keyway Mortise Cylinder standard. Optional: Schlage E, Schlage C-K, Russwin D1-2-3-4, Corbin 59/60, Sargent LA-LB-LC, Falcon/Weiser E, Arrow A, Yale 8, Yale GA and Kwikset. Can also accept Medeco, Assa, Kaba and **Cal-Royal HSK** High Security Cylinders.

● (IC) INTERCHANGEABLE CORE

Interchangeable Core locks will accept compatible 6 or 7-Pin cores with BEST, FALCON and ARROW.

- (ICSC) INTERCHANGEABLE CORE: Indicates function available with **Schlage Full Size Format** Interchangeable Core. Corbin, Sargent and Yale format also available.

FINISHES

Architectural plated finishes.

Trim Selection

PULL DESIGN



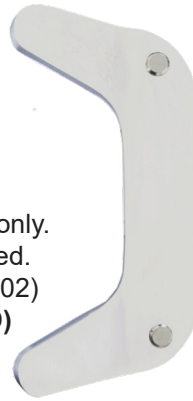
98GLSNL
⌘ IC98GLSNL
⌘ ICSC98GLSNL

Outside by pull and key.
 Key retracts latch bolt.
 ANSI Function (03)
(SPECIFY HANDING)



98GLSUP

Outside by pull only.
 Pull when dogged.
 ANSI Function (02)
(NON-HANDED)



GLSRIMEOP

Outside cover plate
 only.
ANSI Function (01)

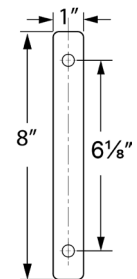
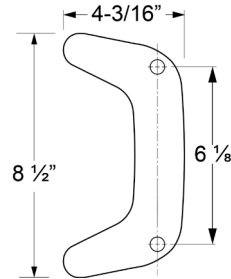
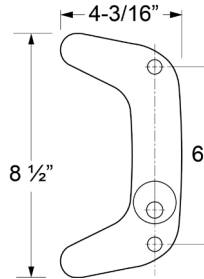


KEYWAY

Standard 6-Pin solid brass "C"
 keyway Rim Cylinder included.

FINISHES

Architectural plated finishes.



IMPORTANT: GLS9800 and GLSCVR9800
 Trims shown on this page can be used on
 the 6600 Series Exit Devices



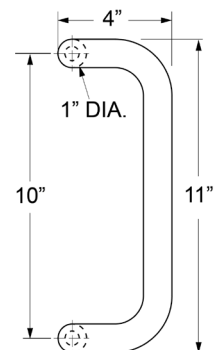
98GLSCYL-1



⌘ IC98GLSCYL-1
⌘ ICSC98GLSCYL-1



OFSTPUL-10
(REVERSIBLE)



KEYWAY: 6-Pin solid brass "C" keyway Rim Cylinder standard. Optional: Schlage E, Schlage C-K, Russwin D1-2-3-4, Corbin 59/60, Sargent LA-LB-LC, Falcon/Weiser E, Arrow A, Yale 8, Yale GA and Kwikset. Can also accept Medeco, Assa, Kaba and **Cal-Royal HSK** High Security Cylinders.

⌘ (IC) INTERCHANGEABLE CORE: Interchangeable Core locks will accept compatible 6 or 7-Pin cores with BEST, FALCON and ARROW

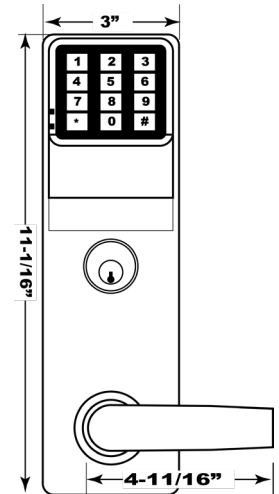
⌘ (ICSC) INTERCHANGEABLE CORE: Indicates function available with **Schlage Full Size Format** Interchangeable Core. Corbin, Sargent and Yale format also available.

Heavy Duty Digital Exit Trims

CR5000 TRILOGY® KEYLESS EXIT TRIM

Features

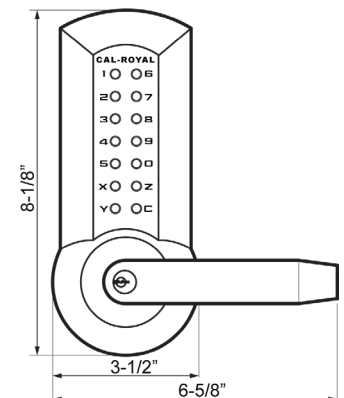
- Clutch mechanism insures long life and durability
- Fingertip and / or Windows programmable
- 2000 User Codes: Master, manager, supervisor and users
- Real Time Clock for up to 40,000 Event Time / Date-Stamped Audit Trail
- Up to 500 Lock / Unlock Schedules (with Time Zone Support)
- Rugged 12-Button Metal Keypad
- Adaptable to most major manufacturers of standard RIM and IC RIM Cylinders
- Battery operated; uses 5 AA batteries
- Optional Interchangeable Core available with Best, Falcon & Arrow
- Non-Handed; Fully Reversible



MECHANICAL CRCODE204

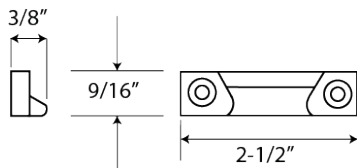
Features

- Breakaway Lever Design
- Easy On-Door Code Change
- Weather Resistant
- Code-Free Option (Passage)
- 1 - 12 digit Length Code
- Thousands of Possible Code Combinations
- Single Code User
- Applications: Offices, Schools, Hospitals, Apartments, Hotels / Motels, Residential, Commerical and Public Buildings
- Door Thickness: 1 3/4" - 2"
- Non-Handed, Fully Reversible

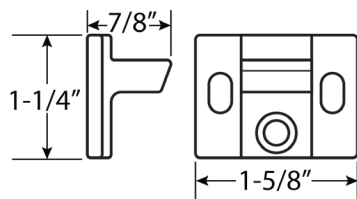


Strike & Accessories

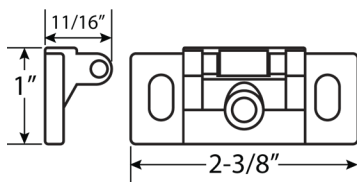
Strikes for use with 6660 and F6660 Vertical Rod Exit Device



221
Optional Handicap Bottom Strike. Applied to surface of floor or to a flat threshold. Standard packaging.

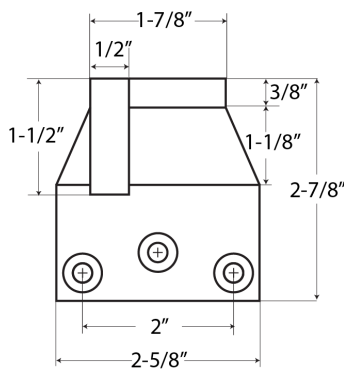


620
Top Strike. Standard packaging.



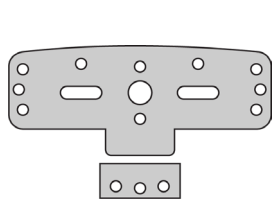
630
Bottom Strike. Applied to surface of floor or to a flat threshold. Standard packaging.

Overlapping Strikes

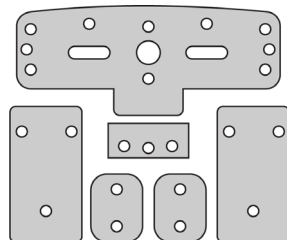


951
Surface applied. Used on inactive leaf for device on active leaf of pair of doors without mullion.

GLASS BEAD SHIM KITS

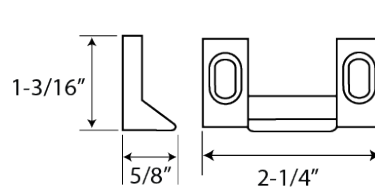


601 – for Rim type, 1/8" thick

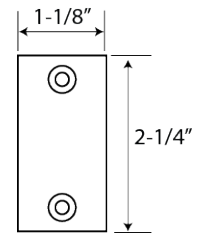


612 – for Vertical type, 1/8" thick

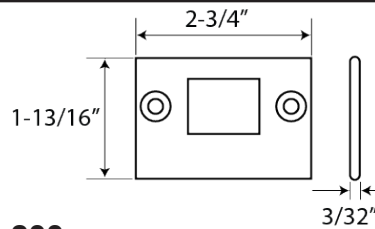
Additional Accessories



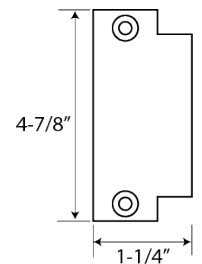
227
Applied to surface of stop. No mortise required.



LFF
Lock front filler

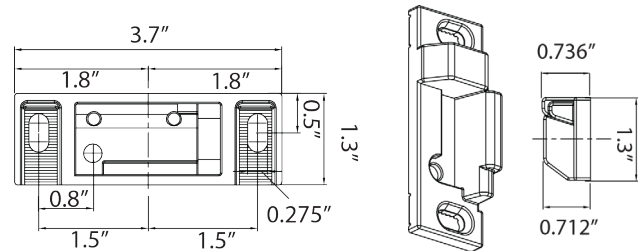


233
Bottom strike. Flush mounting stainless steel. Furnished with expansion shields. Requires mortise in the floor.

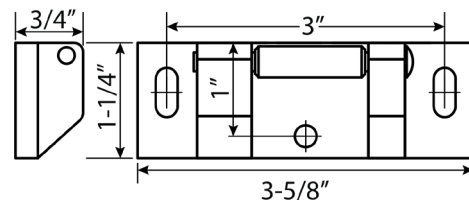


SF
Strike filler

Strike for use with 6600 Rim Type Exit Device



938
for 6600 surface applied. Standard packaging.



660
Roller Rim Strike for 6600 surface applied. Optional.

Additional Rods

- EXTROD66-12** – Rod for 9' non-rated door
- EXTROD66-24** – Rod for 10' non-rated door