

# 700 SERIES

ANSI A156.4 Grade 1, Optional Slim Cover, Sized Door Closer  
UL Listed, Conforms to Standards UL10C and UBC7-2-1997  
Lifetime Warranty



- Meets and Exceeds ANSI Standard A156.4 Grade 1
- Universal Hole Pattern Offering Versatility and Precision Engineering for New and Retrofit Market
- Choice of Regular, Parallel, or Hold-Open Arms for All Standard Applications
- Sized Door Closer. Sizes 2, 3, 4 and 5
- Hydraulic Door Closer with Optional Back-Check
- Optional Slim Plastic Cover

## FEATURES

- Heavy Duty Cast Aluminum Hydraulic Door Closer with Dual Valve, Closing and Latching Speed Controlled by Two Separate Regulating Valves
- Universal Application, Non-Handed, Designed for All Standard Installations
- Reinforced Type Adjustable Tube Arm
- Rack and Pinion Operation Contained in a High Tensile Precision Cast Aluminum Housing for the Highest Quality
- High Quality Hydraulic Fluid for High Lubricity and Constant Lubrication
- The Streamlined Design Permits Installation on Most Commercial and Residential Applications without Adaptors
- Sized Door Closer. **720** (Size 2), **730** (Size 3), **740** (Size 4) and **750** (Size 5)

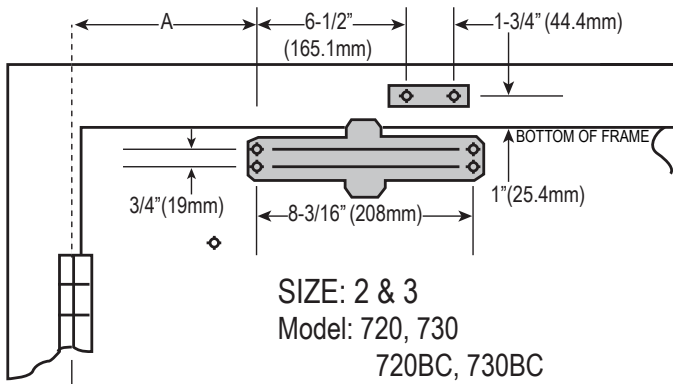
## RECOMMENDED CLOSER SIZES FOR INTERIOR & EXTERIOR

| REGULAR CLOSERS |                                 |           |  | CLOSERS WITH PARALLEL ARM ADAPTER |                       |          |                      |                      |
|-----------------|---------------------------------|-----------|--|-----------------------------------|-----------------------|----------|----------------------|----------------------|
| MODEL NO.       | DOOR WEIGHT (POUNDS) ALL MODELS | MODEL NO. | TYPE OF DOOR   | MAXIMUM SIZE OF DOOR              |                       |          | MAXIMUM SIZE OF DOOR |                      |
|                 |                                 |           |  | REGULAR                           | HOLD OPEN ACCESSORIES | INTERIOR | EXTERIOR INSWINGING  | INTERIOR OUTSWINGING |
| 720             | 55-100                          | 901/902   | Heavy screen doors or medium weight interior door of wood or metal | 3'0"                              | ----                  | ----     | 2'6"                 | ----                 |
| 730             | 88-143                          | 901/902   | Light exterior doors and interior doors of wood or metal           | 3'6"                              | 2'6"                  | 3'0"     | 3'0"                 | 2'6"                 |
| 740             | 120-187                         | 901/902   | Exterior doors and heavy interior doors of wood or metal           | 4'0"                              | 3'0"                  | 3'6"     | 3'6"                 | 3'0"                 |
| 750             | 176-265                         | 901/902   | Heavy exterior doors and heavy interior doors                      | 4'6"                              | 3'6"                  | 4'0"     | 4'0"                 | 3'6"                 |

**NOTE:** Doors of unusual height or weight, or doors subject to severe wind or draft conditions, or abusive usage, require the next larger model closer than the schedule.

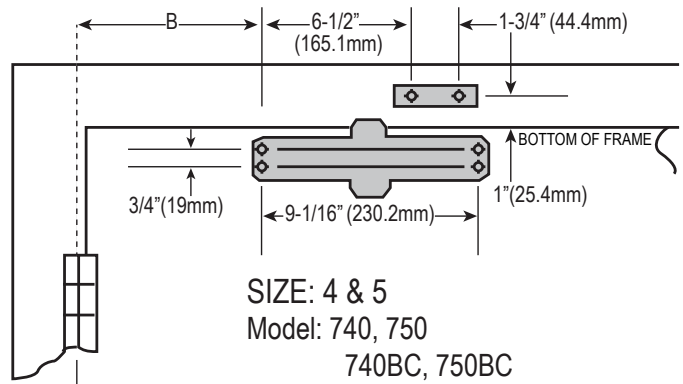
| SPECIFICATIONS               |         |         |         |         |
|------------------------------|---------|---------|---------|---------|
| DESCRIPTION                  | SIZE 2  | SIZE 3  | SIZE 4  | SIZE 5  |
| A. Length of Closer Body     | 8 7/8"  | 8 7/8"  | 9 3/4"  | 9 3/4"  |
| B. Horizontal Mounting Holes | 8 3/16" | 8 3/16" | 9 1/16" | 9 1/16" |
| C. Vertical Mounting Holes   | 3/4"    | 3/4"    | 3/4"    | 3/4"    |
| D. Height of Closer Body     | 1 3/4"  | 1 3/4"  | 1 3/4"  | 1 3/4"  |
| E. Projection from Door      | 2 7/8"  | 2 7/8"  | 2 7/8"  | 2 7/8"  |

## 700 SERIES: REGULAR ARM INSTALLATION (PULL SIDE)



SIZE: 2 & 3  
Model: 720, 730  
720BC, 730BC

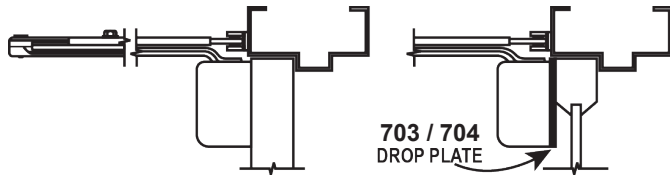
703 - Flat Drop Plate for 720, 730 (size 2, 3)  
704 - Flat Drop Plate for 740, 750 (size 4, 5)



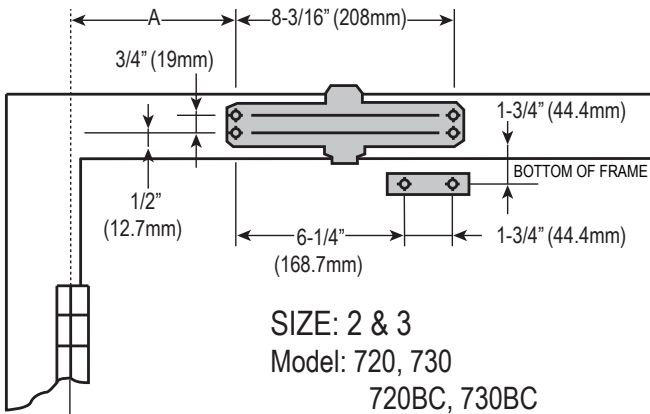
SIZE: 4 & 5  
Model: 740, 750  
740BC, 750BC

| OPENING     | DIM A<br>SIZE 2 & 3 | DIM B<br>SIZE 4 & 5 |
|-------------|---------------------|---------------------|
| TO 120°     | 6-1/2" (165.1 mm)   | 6-1/2" (165.1 mm)   |
| 120° - 180° | 4" (101.6 mm)       | 4" (101.6 mm)       |

- RIGHT HAND DOOR SHOWN
- RIGHT HAND DOOR OPPOSITE
- DIMENSIONS ARE IN INCHES
- DRAWING NOT TO SCALE

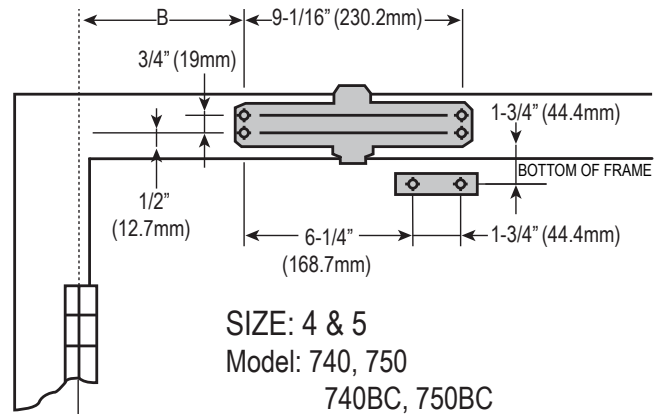


## TOP JAMB INSTALLATION (PUSH SIDE)



SIZE: 2 & 3  
Model: 720, 730  
720BC, 730BC

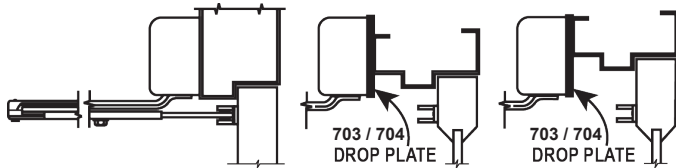
703 - Flat Drop Plate for 720, 730 (size 2, 3)  
704 - Flat Drop Plate for 740, 750 (size 4, 5)



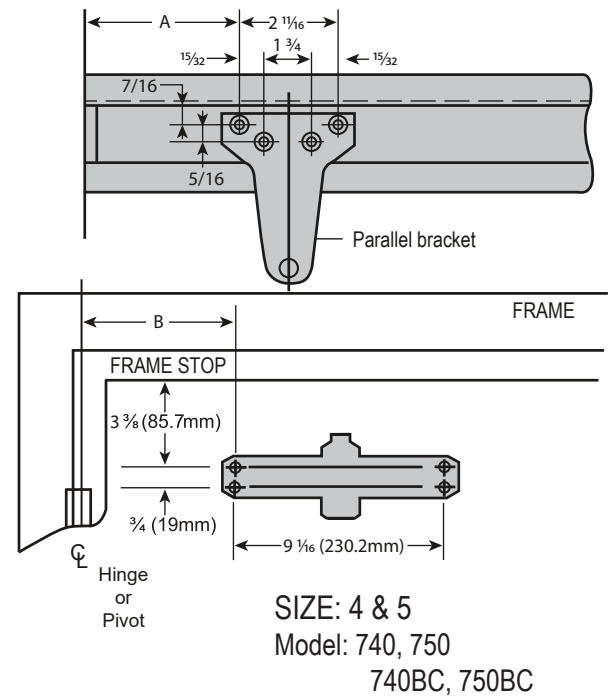
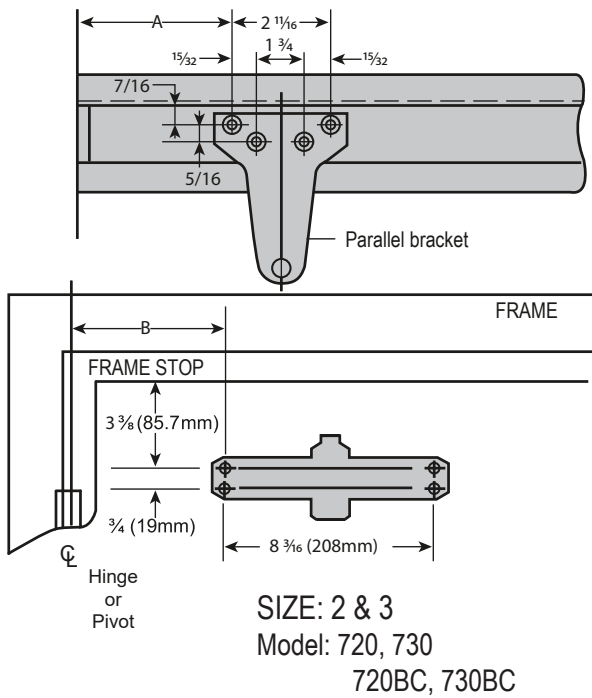
SIZE: 4 & 5  
Model: 740, 750  
740BC, 750BC

| OPENING     | DIM A<br>SIZE 2 & 3 | DIM B<br>SIZE 4 & 5 |
|-------------|---------------------|---------------------|
| TO 120°     | 6-1/2" (165.1 mm)   | 6-1/2" (165.1 mm)   |
| 120° - 180° | 4" (101.6 mm)       | 4" (101.6 mm)       |

- LEFT HAND DOOR SHOWN
- RIGHT HAND DOOR OPPOSITE
- DIMENSIONS ARE IN INCHES
- DRAWING NOT TO SCALE

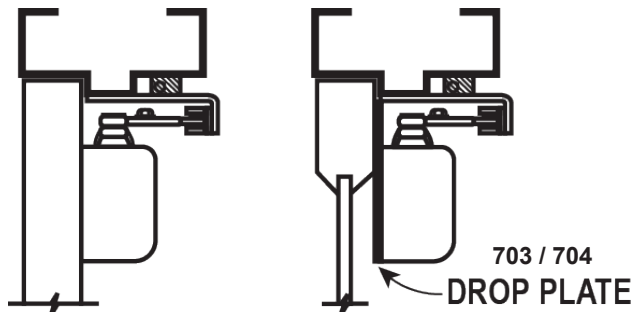


## 700 SERIES : PARALLEL ARM INSTALLATION (PUSH SIDE)



- LEFT HAND DOOR SHOWN
- RIGHT HAND DOOR OPPOSITE
- DIMENSIONS ARE IN INCHES
- DRAWING NOT TO SCALE

| OPENING     | DIM A<br>SIZE 2 & 3   | DIM B<br>SIZE 2 & 3    | DIM A<br>SIZE 4 & 5   | DIM B<br>SIZE 4 & 5    |
|-------------|-----------------------|------------------------|-----------------------|------------------------|
| TO 120°     | 8-5/8"<br>(219 mm)    | 7-13/16"<br>(198.4 mm) | 8-5/8"<br>(219 mm)    | 6-15/16"<br>(176.2 mm) |
| 120° - 180° | 6-9/16"<br>(166.7 mm) | 5-5/8"<br>(142.9 mm)   | 6-9/16"<br>(166.7 mm) | 5-3/16"<br>(131.8 mm)  |


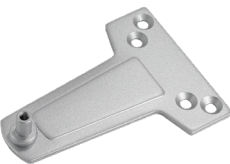









703 - Flat Drop Plate for 720, 730 (size 2, 3)

704 - Flat Drop Plate for 740, 750 (size 4, 5)

## OPTIONAL INSTALLATION

|  |  |
|--|--|
| <p><b>REGULAR ARM<br/>(PULL SIDE)</b></p>  | <p><b>MAXIMUM OPENING: 180° (Standard), 120° (Hold Open)</b></p> <p><b>OPTIONAL INSTALLATION ARMS</b></p> <ul style="list-style-type: none"> <li>• 901 / 902 - Hold-Open Arm with Parallel Bracket, Non-Handed with Stop in Soffit Shoe</li> <li>• 745AR - Door Closer Arm (Main and Regular Forearm)</li> </ul>   |
| <p><b>TOP JAMB<br/>(PUSH SIDE)</b></p>     | <p><b>BRACKETS</b></p> <ul style="list-style-type: none"> <li>• 703 - Flat Drop Plate for 720, 730 (size 2, 3)</li> <li>• 704 - Flat Drop Plate for 740, 750 (size 4, 5)</li> </ul>  |
| <p><b>PARALLEL ARM<br/>(PUSH SIDE)</b></p> | <p><b>MAXIMUM OPENING: 180° (Standard), 120° (Hold Open)</b></p> <p><b>OPTIONAL INSTALLATION ARMS</b></p> <ul style="list-style-type: none"> <li>• 901 / 902 - Hold-Open Arm with Parallel Bracket, Non-Handed with Stop in Soffit Shoe</li> <li>• 745AR - Door Closer Arm (Main and Regular Forearm)</li> </ul> <p><b>BRACKETS</b></p> <ul style="list-style-type: none"> <li>• 905 - Parallel Arm Bracket</li> <li>• 703 - Flat Drop Plate for 720, 730 (size 2, 3)</li> <li>• 704 - Flat Drop Plate for 740, 750 (size 4, 5)</li> </ul> |

|   |   |   |  |
|---|---|---|--|
|   |   |    |    |
| <p><b>500COV</b></p> <ul style="list-style-type: none"> <li>• Slim cover</li> <li>• Non-handed</li> <li>• Plastic material</li> </ul>   | <p><b>905</b></p> <ul style="list-style-type: none"> <li>• Parallel arm bracket</li> <li>• Non-handed</li> </ul>  | <p><b>745AR</b></p> <ul style="list-style-type: none"> <li>• Forged Steel main arm and forearm</li> <li>• Non-handed</li> <li>• Door closer arm (Main and regular forearm)</li> </ul> | <p><b>901 / 902</b></p> <ul style="list-style-type: none"> <li>• Hold-open arm with parallel bracket</li> <li>• Forged Steel Constructions</li> <li>• Non-handed with stop in soffit shoe</li> </ul> |
|    |    |   |  |
| <p><b>970138</b></p> <ul style="list-style-type: none"> <li>• Sex bolts for 1 3/8" doors</li> <li>• Female part only</li> <li>• 1/4" - 20 (set of 4)</li> <li>• For Steel Door Application</li> </ul> | <p><b>970</b></p> <ul style="list-style-type: none"> <li>• Sex bolts</li> <li>• Female part only</li> <li>• 1/4" - 20 (set of 4)</li> <li>• For Steel Door Application</li> </ul> | <p><b>706</b></p> <ul style="list-style-type: none"> <li>• Thru bolts and grommet nuts</li> <li>• Set of 4</li> <li>• For Wood and Aluminum Door Application</li> </ul>               |  |
|    |    |   |  |
| <p><b>703</b></p> <ul style="list-style-type: none"> <li>• Flat drop bracket</li> <li>• Non-handed</li> </ul>   | <p><b>704</b></p> <ul style="list-style-type: none"> <li>• Flat drop bracket</li> <li>• Non-handed</li> </ul>   |   |  |