

DE7700 Series

GRADE 1 Delayed Egress All in One Exit Device

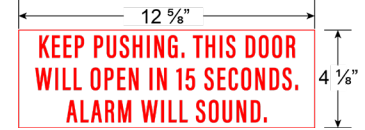
ANSI BHMA A156.24 Delayed Egress Locking System Approved



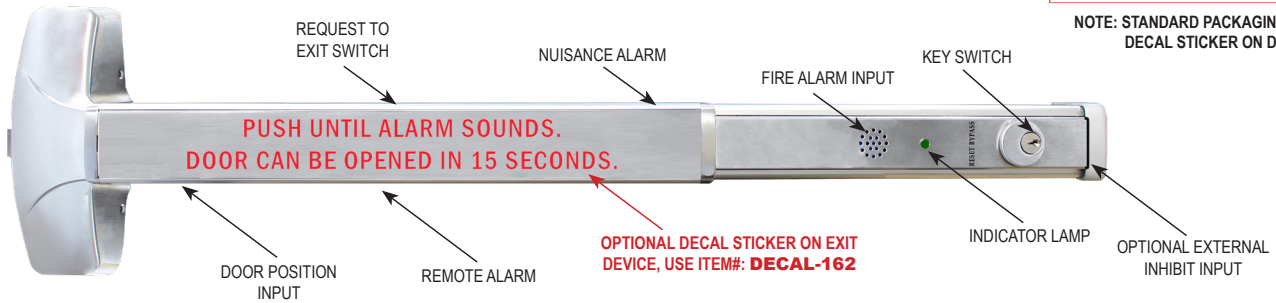
MEETS
The Buy American Act



5-YEAR WARRANTY



NOTE: STANDARD PACKAGING INCLUDES DECAL STICKER ON DOOR.



FEATURES		
EGRESS DELAY	BUILT-IN ANNUNCIATION	CODE COMPLIANCE
<ul style="list-style-type: none"> All in One Device 15 or 30 second exit delay (Factory set to 15 secs) 1 or 2 second nuisance delay Alarm and Lock reset 1 to 30 second momentary bypass Sustained bypass 	<ul style="list-style-type: none"> Armed mode Nuisance mode Irreversible egress mode Release mode <i>Optional External Inhibit Input</i> Remote override Remote reset 	<ul style="list-style-type: none"> IFC International Fire Code IBC International Building Code NFPA 101 Life Safety Code NFPA 1 Uniform Fire Code California Building Code Field selectable automatic or manual power up after emergency release or power loss
CONTROL INPUTS	TRIGGER MODES	MONITORING OUTPUTS
<ul style="list-style-type: none"> 1 to 30 second request-to-exit and bypass input with anti-tailgate and jumper selectable door prop alarm Reset 	<ul style="list-style-type: none"> Egress Alarm triggered by Push Bar Trigger input from external device field selectable (N/O or N/C) 	<ul style="list-style-type: none"> Armed mode Nuisance mode Release status

MUST ORDER CR602RF or CR631RF POWER SUPPLY TO HONOR WARRANTY AND UL MARKING

APPLICATION	
<p>When unauthorized egress is initiated the device delays egress through the door for 15 seconds (or 30 seconds). Meanwhile, the person exiting must wait while personnel or security responds. The door unlocks after 15 seconds have elapsed permitting egress. When powered by a fire control supervised power supply, the lock will release immediately in an emergency.</p>	<p>FOR USE WITH: (FIRE AND NON-FIRE)</p> <ul style="list-style-type: none"> A7700, AF7700 Rim Exit Devices A7760V, AF7760V Surface Vertical Rod Exit Device¹ N-77CVR, N-F77CVR Concealed Vertical Rod Exit Device N-MR7700, N-FMR7700 Mortise Lock Rim Exit Device N-GLS7700, N-FGLS7700 Narrow Stile Rim Exit Device (on 36" Only) N-77GLS-CVR, N-F77GLS-CVR Narrow Stile Concealed Vertical Rod (on 36" Only) 77GLS-SVR, F77GLS-SVR Narrow Stile Surface Vertical Rod (on 36" Only) <p>¹Recommends use of rod and latch guards and strike monitor for surface vertical rods</p>

TECHNICAL SPECIFICATIONS	
<ul style="list-style-type: none"> 24V DC @ 430mA 24V DC @ 250mA Slave <p>Power Supply CR602RF 1 Amp / CR631RF 1.5 Amp</p>	<ul style="list-style-type: none"> Field selectable 12 or 24V DC, regulated and filtered Auto resetting output circuit protection Isolated 13.5 / 27V DC battery charger Low battery disconnect Emergency release input Field selectable UBC & California compliant manual power up Input, output and battery status LED's CR631RF - 16" x 14" x 6.5", CR602RF - 12" x 12" x 4" enclosure Choice of output and door control modules CR631RF - 1.5 Amp, CR602RF - 1.0 Amp Batteries not included
<p>CR631RF</p>	<p>CR602RF</p>

7700 Series Delayed Egress Models



GRADE 1 Delayed Egress All in One Exit Device

ANSI / BHMA A156.24 Delayed Egress Locking System Approved

For use in institutions, schools, universities, commercial buildings where heavy duty reliable operation is a requirement. 7700 Series Delayed Egress can also be used for fire exit hardware for all types of 4' x 8' single doors and 8' x 8' double doors for up to 3 hour fire labeled installations, it conforms to standards UL10C and UBC 7-2-1997 codes.



MEETS
The Buy American Act



5-YEAR WARRANTY



*Optional Decal sticker for the Exit Device, specify item# "DECAL-162" when ordering.



A7700, AF7700 Rim Panic Exit Devices



N-MR7700, N-FMR7700 Mortise Exit Devices

If a door position switch is not used, the outside trim will operate the door without affecting the armed setting of the device.



A7760V, AF7760V Surface Vertical Rod Exit Devices

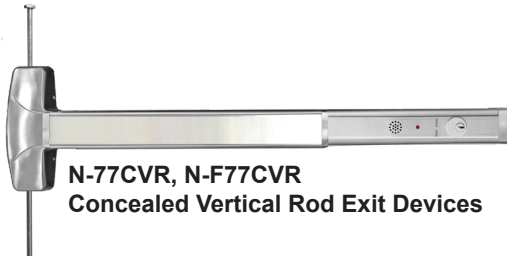
To effectively use the surface vertical rod exit device, it is recommended that the rod and latch guards and monitor strike be used.



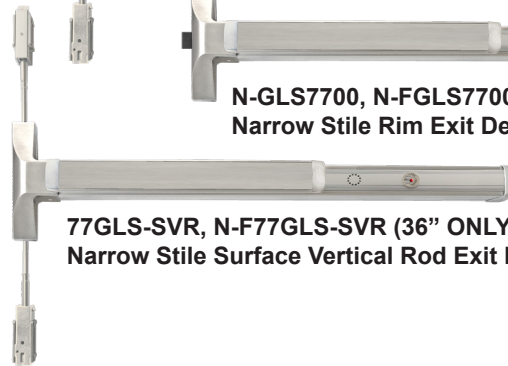
N-77GLS-CVR, N-F77GLS-CVR (36" ONLY) Narrow Stile Concealed Vertical Rod Exit Devices



N-GLS7700, N-FGLS7700 (36" ONLY) Narrow Stile Rim Exit Devices



N-77CVR, N-F77CVR Concealed Vertical Rod Exit Devices



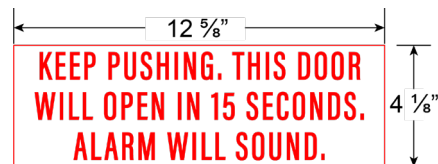
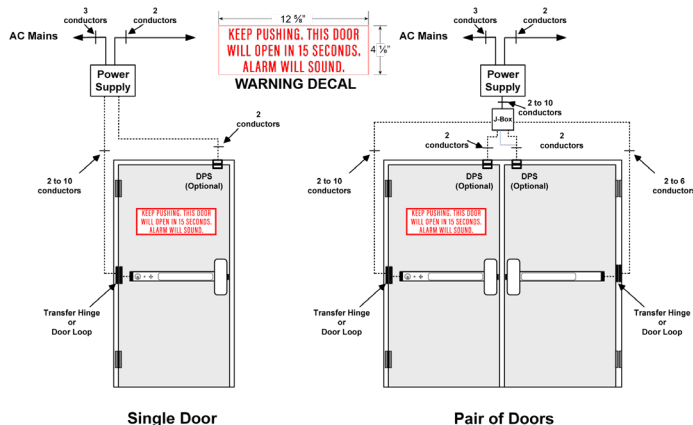
77GLS-SVR, N-F77GLS-SVR (36" ONLY) Narrow Stile Surface Vertical Rod Exit Devices

DELAYED EGRESS OPTION IS AVAILABLE ON ALL 7700 SERIES EXIT DEVICES (N-GLS7700, N-77GLS-CVR & 77GLS-SVR Narrow Stile Exit Devices on 36" Only. Must use DEKIT48.)

♦♦ NOTE: DEKIT IS INSTALLED ON THE EXIT DEVICE UPON ORDERING. ♦♦

Must Specify: 7700 Series ITEM # and DEKIT36 (for 36") or DEKIT48 (for 48") separately.

for Example: A7700EO36 US32D with Delayed Egress option,
ORDER: "A7700EO36 US32D" and "DEKIT36 US32D" as two line items.



NOTE: STANDARD PACKAGING INCLUDES DECAL STICKER ON DOOR.

MUST ORDER CR602RF OR CR631RF POWER SUPPLY TO HONOR WARRANTY AND UL MARKING

Alarm Exit Hardware



Rim Type Exit Devices

NALRM770036	Alarm Rim Type 36" Door (Panic Grade)
NALRM772048	Alarm Rim Type 48" Door (Panic Grade)
FNALRM770036	Alarm Rim Type 36" Door (Fire Grade)
FNALRM772048	Alarm Rim Type 48" Door (Fire Grade)

Vertical Rod Type Exit Devices

Prefix "NALRM" before PART #

Features

- 1, 3, 5-minute and continuous alarm type settings available
- ON and OFF power switch
- Alarm sound frequency is 120 db
- Alarm unit has internal horn. When the push rail is depressed, the horn sounds to provide an audible means of signaling that the door has been opened and breached.
- The key switch to turn alarm off is a standard 1 1/4" cylinder with "C" keyway. The alarm operates on one standard 9-volt transistor battery. When battery is weak the horn will emit an intermittent signal.
- Alarmed units are supplied with a micro switch, which monitors the push rail and the latch bolt for foolproof security on rim devices.
- Alarm unit has a signal OC output that can be linked to external alarm control systems.
- Unit includes "EMERGENCY EXIT ONLY • ALARM WILL SOUND" decal for application on door or unit.

Cylinder Dogging Kit

TO ORDER: Prefix "CD" before PART #. Available for all 7700 Series devices except fire exit hardware

KIT ONLY: use PART # 36CD7700 for 36" and 48CD7700 for 48" devices. Specify finish.

NOTE: Use PART # 48CD7700 for 36" GLS Narrow Stile Rim, CVR, and SVR Non-Fire Exit Devices



Finishes (Refer to Price List for Stock Finishes)

Cal-Royal	Description	BHMA	US Finish	Material
10B	Oil Rubbed Bronze	613	US10B	Bronze
32D	Satin Stainless	630	US32D	Stainless Steel

- (IC) INTERCHANGEABLE CORE: Interchangeable Core locks will accept compatible 6 or 7-Pin cores with BEST, FALCON and ARROW
- (ICSC) INTERCHANGEABLE CORE: Indicates function available with **Schlage Full Size Format** Interchangeable Core. Corbin, Sargent and Yale format also available.

(ELR) Electric Latch Retraction



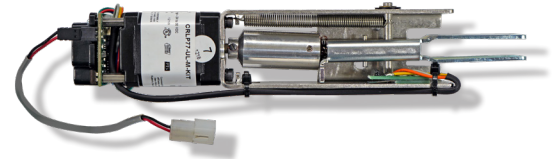
Our motor driven electrified latch pullback exit device allows for remote keyless access control in high occupancy / high traffic conditions where exit devices are required. Common applications include conditions such as hospitals, airports, schools, churches and they are commonly specified in applications that require automatic door openers. The device may be continuously energized allowing for a push / pull condition if desired.

Features:

- Available on 7700 Series, including rim, vertical rod, concealed vertical rod, mortise exit device, fire and non fire-rated devices
- MM4S Smart Module: On board diagnostics with audible feedback for adjustment and power issues
- “PTS” (Push to Set Technology): 5 second electronic adjustment for easy post installation adjustment
- Electric dogging rated for continuous duty - Auto retraction if dogged push pad is pulled from position
- Low Current Draw - Field switchable to “High Torque” mode
- Up to 300’ wire run with (2) 18ga wire - Long wire runs provides installer with convenience of placing the locking device power supply in a centralized location; i.e. the same closet as the access panel
- 8’ cable with Quick Connect for MM4S module to easily connect to power supply lead
- 3-year “No Hassle” warranty

Specifications:

- Voltage – 22 to 28V DC
- System protection – unit shutdown when voltage exceeds 28V DC
- Average In-rush Current – 900mA; Average Hold Current - 215mA
- PTS adjustment – approx. ¼”
- Wire run: 300’ with 18ga wire



**INSTALLED ON THE EXIT
DEVICE: USE FLR7700 ADD**

**FOR FIELD INSTALLATION
USE FLR7700 KIT**

To Order:

- **Must Specify: Exit Device item #** and **FLR7700 ADD** as two separate line items.
For Example: A7700EO36 US32D with ELR option, order “**A7700EO36 US32D**”, and “**FLR7700 ADD**” as two line items.
- ***Use FLR7700 KIT if ordered separately.**
- **Optional Switch (RX or LX)** is also available and should be added as a **3rd line item** as needed.

Note: When using electrified hinge, you must use prefix ELELRn + hinge item code, where “n” is equal to number of wires. For example: ELELR4 + BB31.

MUST USE CRP POWER SUPPLIES TO HONOR WARRANTY (see pages 95-96)

Signal Switch RX and LX

RX (request to exit) signal switch is used to signal the use of an opening from the push side. When the push pad is depressed, the switch is activated. These devices are equipped with an internal SPDT (single pole double throw) switch that monitors the touch bar.

LX (latch bolt monitoring) signal switch monitors both egress and access of an opening. When the latch bolt is retracted, the switch is activated. These devices are equipped with an internal SPDT (single pole double throw) switch that monitors the latch bolt position.

LX and **RX** switches can be combined.

LX, RX switches can be used in combination with ELR (electric latch retraction) option.

Specifications

RX or **LX**.....Switch rated 0.5 amps @ 24V AC / DC resistive
Low current **RX** or **LX**.Switch rated 0.5 amps @ 24V AC / DC resistive

for Factory Installed. To Order, Specify:

- RX7700**.....Request to Exit switch for field installation
- LX7700**.....Latch bolt Monitoring switch for field installation
- LXR7700**.....Latch bolt Monitoring / Request to Exit Combination

N-MR7700 & N-FMR7700 Series

GRADE 1 Mortise Lock Exit Device



Trim Selection

ESCUTCHEON LEVER DESIGN

FINISHES

Architectural plated finishes

DOOR THICKNESS

Standard 1 3/4"

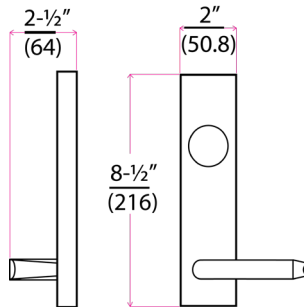
HANDING

Non-Handed Trim

ESCUTCHEON DIMENSIONS

2" width x 8 1/2" length.

Lever length: 4 3/4".



N-MRESC



N-MRESC-TS

- N-MRESC-00 or N-MRESC-00TS or
- N-ICMRESC-00 or
- N-ICSCMRESC-00
- N-ICMRESC-00TS

ENTRANCE

Key locks or unlocks lever

Operates as classroom function

ANSI FUNCTION (08)

- N-MRESC-05 or N-MRESC-05TS or
- N-ICMRESC-05 or
- N-ICSCMRESC-05 or
- N-ICMRESC-05TS

STOREROOM

Key retracts latch bolt, otherwise always locked

ANSI FUNCTION (09)

**MUST USE N-MR7705EO36/48*

Mortise Rim Exit

- N-MRESC-30
- N-MRESC-30TS

PASSAGE

Trim always operable and free

ANSI FUNCTION (14)

**MUST USE N-MR7705EO36/48*

Mortise Rim Exit

NOTES:

- N-MR7700 & N-FMR7700 Exit Device comes standard with Non-Electrified Mortise Lock Case (Trims Sold Separately)
- **ELECTRIFICATION AVAILABLE ON MORTISE LOCK CASE ONLY**
- Anti-Microbial Coating available in US26D Only. Use part # "**ANTB-TRIM**" when ordering.

● **(IC) INTERCHANGEABLE CORE:** Interchangeable Core locks will accept compatible 6 or 7-Pin cores with BEST, FALCON and ARROW

● **(ICSC) INTERCHANGEABLE CORE:** Indicates function available with **Schlage Full Size Format** Interchangeable Core. Corbin, Sargent and Yale format also available.

KEYWAY: 6-Pin solid brass "C" keyway Mortise Cylinder standard. Optional: Schlage E, Schlage C-K, Russwin D1-2-3-4, Corbin 59/60, Sargent LA-LB-LC, Falcon/Weiser E, Arrow A, Yale 8, Yale GA and Kwikset. Can also accept Medeco, Assa, Kaba and **Cal-Royal HSK** High Security Cylinders.

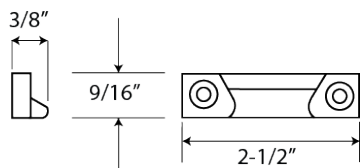
N-MR-00	N-MR7700 Mortise Lock Case (specify handing) Non-Fire Rated , Entrance Function
N-MR-05/30	N-MR7700 Mortise Lock Case (specify handing) Non-Fire Rated , Storeroom & Passage Function
N-FMR-00	N-MR7700 Mortise Lock Case (specify handing) Fire Rated , Entrance Function
N-FMR-05/30	N-MR7700 Mortise Lock Case (specify handing) Fire Rated , Storeroom & Passage Function



N-MR / N-FMR Lock Case

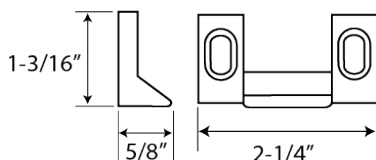
Strikes & Accessories

Strikes for use with A7760V Vertical Rod Exit Device All strikes are black nylon coated



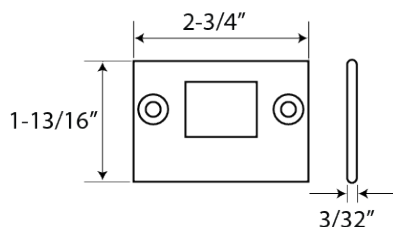
221

Standard for A7760V. Applied to surface of floor or to a flat threshold. Standard packaging.



227

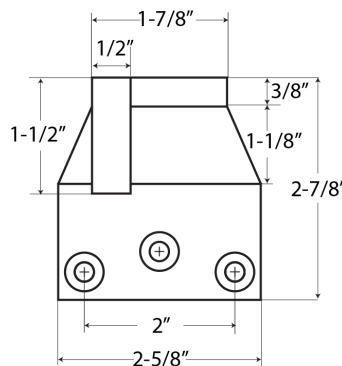
Applied to surface of stop. No mortise required. Standard packaging.



233

Bottom strike. Alternate bottom strike. Flush mounting stainless steel. Furnished with expansion shields. Requires mortise in the floor.

Overlapping Strikes



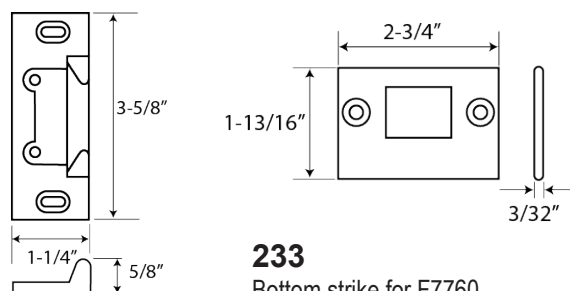
951

Surface applied. Used on inactive leaf for device on active leaf of pair of doors without mullion.

Additional Rods

Vertical rod for 10 feet high doors available on non-fire rated vertical rod devices only. Use Part # VRRD10.

Strikes for use with A7760V Vertical Rod Fire Exit Device



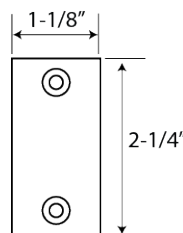
233

Bottom strike for F7760. Flush mounting stainless steel. Furnished with expansion shields. Requires mortise in the floor. Standard packaging.

245

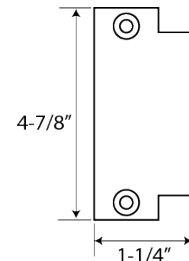
Surface applied for F7760. Standard packaging.

Additional Accessories



LFF

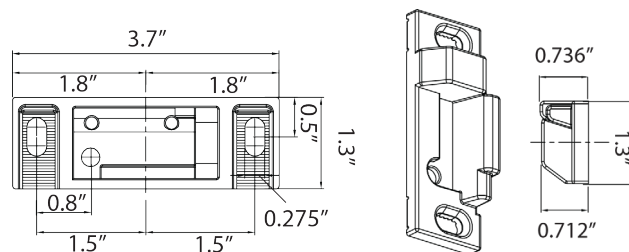
Lock front filler



SF

Strike filler

Strikes for use with A7700 Rim Type Exit Device



938

for A7700 surface applied. Standard packaging.

GLASS BEAD SHIM KITS

901 – For rim type, 1/8" thick

906 – For vertical type, 1/8" thick

912 – For fire rated type, 1/8" thick

