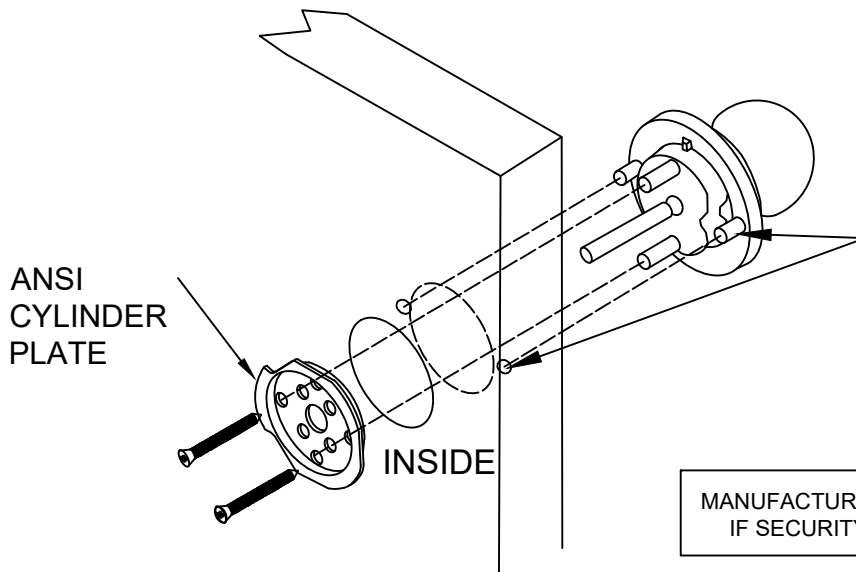


8000K INSTALLATION INSTRUCTIONS FOR PANIC EXIT DEVICE TRIM ON DOORS WITH CYLINDRICAL LOCK CUT-OUT



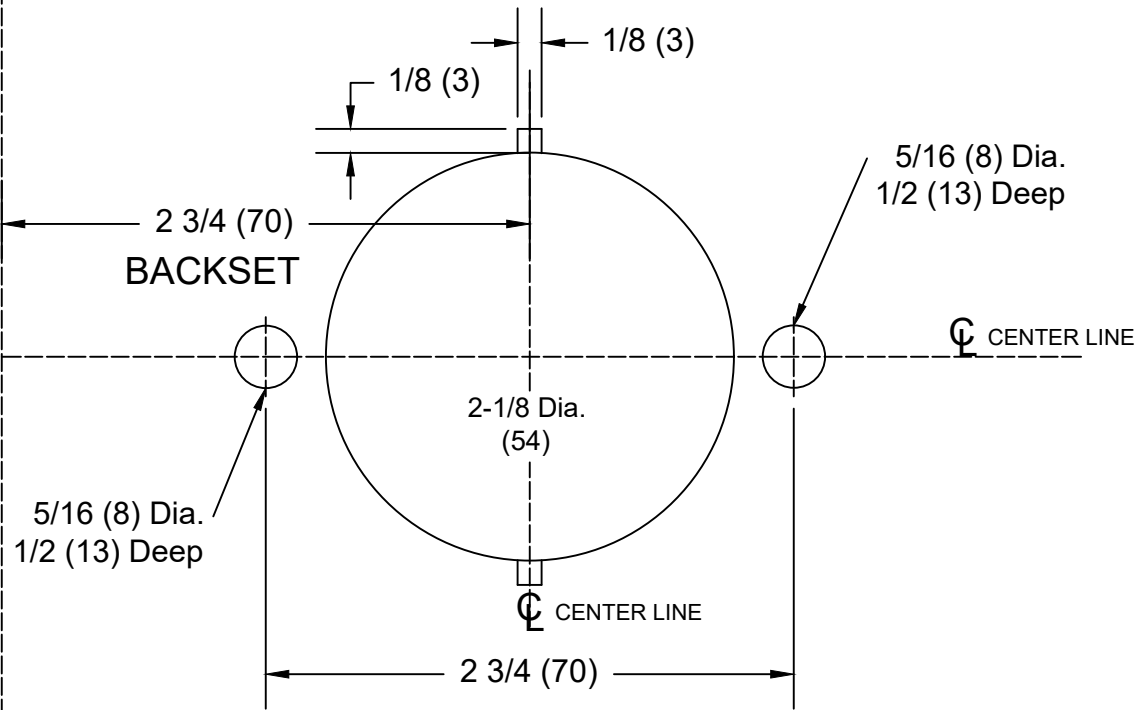
**NOTE:
IMPORTANT:**
ALIGNMENT STUDS MUST ENTER INTO (2) 5/16" FIELD DRILLED HOLES ON OUTSIDE OF DOOR (EXISTING SLOTS CAN BE ELONGATED WITH A FILE)

MANUFACTURER'S WARRANTY INVALID IF SECURITY STUDS ARE REMOVE

TEMPLATE


FOR WOOD OR METAL DOOR
Drill two 5/16" (8mm) hole on horizontal center line from outside of door.

FOLD AND ALIGN TEMPLATE ON EDGE OF DOOR



PLACE TEMPLATE ON HIGH EDGE OF BEVEL

The illustration and technical description in this cut sheet is current as of the date in version date on the right. Cal-Royal Product reserves the right to, and may, on occasions, make changes and/or improvements in designs and dimensions without prior notice.

	8605 Flotilla Street City of Commerce CA 90040 USA Tel.# (323) 888-6601 FAX # (323) 888-6699 WEB SITE: CAL-ROYAL.COM Email: sales@cal-royal.com		ITEM NO. 8000K	DESCRIPTION Installation Instructions and Template for Trim of Panic Exit Device (DOORS WITH CYLINDRICAL LOCK CUT-OUT)	1 : 1 SCALE PAGE 1 of 1	UNIT PRIMARY DIMENSION SHOWN IN INCHES, DIMENSIONS IN () ARE MM	Prepared By: BBT / ADG AED / CVL	DATE 11/06/2023	DWG. NO. EDT-4109-11/23-1of1 Ver.