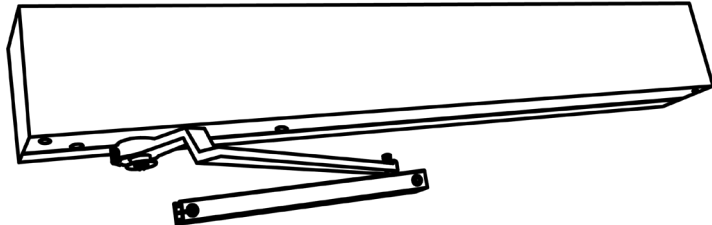


8600 Series

Automatic "LOW ENERGY" Swing Door Operator
ANSI A156.19 Low Energy Standard, UL325 & UL991 Listed,
UL10C Listed for Positive Pressure Fire Test

2-YEAR WARRANTY



HOW TO ORDER:
Must specify **ITEM # + LENGTH + FINISH** when ordering.
> eg. **8601-39 ALUM** for 8601 with 39" length in Alum finish

STOCK ITEM IN BOLD
NON-STOCK ITEMS AVAILABLE WITH FACTORY LEAD TIME AND SUBJECT TO MINIMUM ORDER

TYPE	ITEM #	DESCRIPTION	FINISH	MOUNT	HANDING	TYPE OF ARM		UNIT	
						ITEM #	Reveal		
Single Operator	8601	1 unit, 1 controller, 1 cover, HANDED Standard Length: 39" Optional Length: 45" or 51"	ALUM, DB	Push	LHR	8622-ARM	0 - 14"	Each	
	RHR								
	8603			Pull	LH	8625-LH	0 - 4"		
	8604				RH	8624-RH			
	8605				LH	8626-ARM			0 - 6"
	8606				RH				
Independent or Simultaneous Pair	8607	2 units, 2 controllers, 1 cover, NON-HANDED Standard Length: 75" Optional Length: 87" or 99"	ALUM, DB	Push	LHR / RHR	8622-ARM	0 - 14"	Each	
	8608			Pull	LH / RH	8625-LH & 8624-RH	0 - 4"		
	8609			Pull	LH / RH	8626-ARM	0 - 6"		
Double Egress Independent or Simultaneous Pair	8610	2 units, 2 controllers, 1 cover, HANDED Standard Length: 75" Optional Length: 87" or 99"	ALUM, DB	Push / Pull	LH / RHR	8625-LH & 8622-ARM	0 - 4" & 0 - 14"	Each	
	8611				LHR / RH	8622-ARM & 8624-RH	0 - 14" & 0 - 4"		
	8612				LH / RHR	8626-ARM & 8622-ARM	0 - 6" & 0 - 14"		
	8613				LHR / RH	8622-ARM & 8626-ARM	0 - 14" & 0 - 6"		

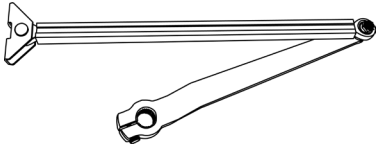

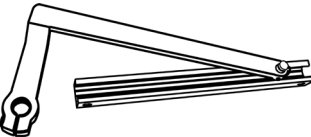
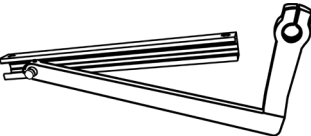
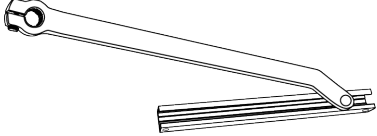
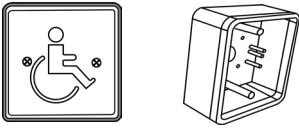
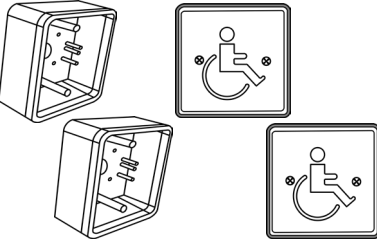
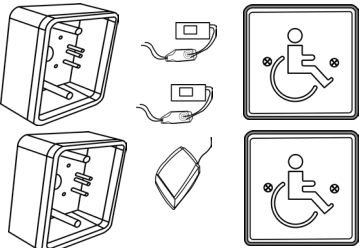
for Optional Interior Operator, prefix "INT" before item #. (eg. 8601-39 ALUM with INT option will be "INT8601-39 ALUM)
NOTE: INTERIOR OPERATOR OPTION IS SUBJECT TO AVAILABILITY AND FACTORY LEAD TIME

- PACKAGING INCLUDES**
- Low Energy Unit
 - Safety Signage & Guideline Sticker
 - One Arm (either Push / Pull, specify Left / Right)

- STOCK FINISHES**
- Aluminum (ALUM)
 - Dark Bronze (DB)
 - Consult factory for other finishes and sizes of the unit
 - Package does not include Switches or Actuator

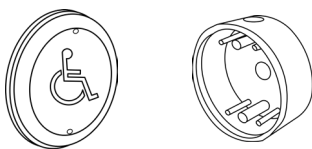

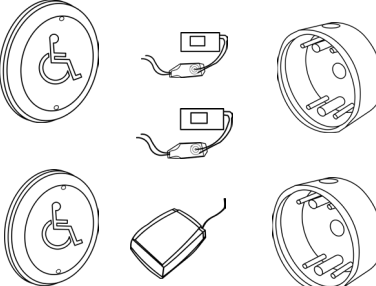
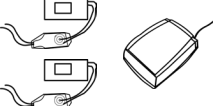
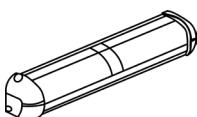

► PARTS & ACCESSORIES FOR 8600 SERIES

◆◆◆◆ STANDARD DISCOUNT ONLY ◆◆◆◆

ILLUSTRATION	ITEM #	DESCRIPTION	FINISH	UNIT
	8622-ARM	Standard Push Arm, Non-Handed, for 0" to 14" reveal	ALUM, DB	Each
	8623-EXT	Optional Push Arm Extension, center arm only. Non-Handed, for 14" to 20" reveal	ALUM, DB	Each
	8624-RH	Angle Pull Arm, Right Handed, 0" to 4" reveal		
	8625-LH	Angle Pull Arm, Left Handed, 0" to 4" reveal	ALUM, DB	Each
	8626-ARM	Optional Straight Pull Arm, Non-Handed, for 0" to 6" reveals		
	8636-SW	4.5" Square Stainless Steel Push Plate with blue handicap logo <ul style="list-style-type: none"> Includes surface mounting box (hard wired connection) 	---	1 set
	8650-KIT	Basic 4.5" Square Push Plate package, <ul style="list-style-type: none"> Includes (2) 8636-SW (hard wired connection) 	---	1 set
	8651-KIT	Basic 4.5" Square Push Plate package, <ul style="list-style-type: none"> Includes (2) 8636-SW, with 1 set of MTR-01 (wireless connection) 	---	1 set

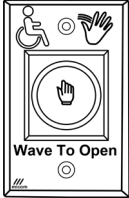



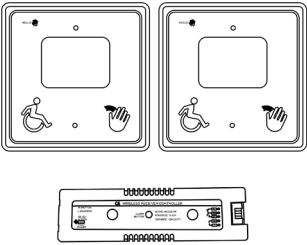
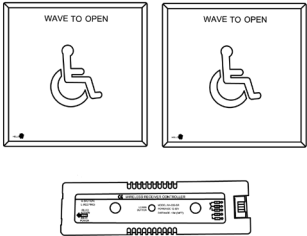
► **PARTS & ACCESSORIES FOR 8600 SERIES**

◆◆◆◆ **STANDARD DISCOUNT ONLY** ◆◆◆◆

ILLUSTRATION	ITEM #	DESCRIPTION	FINISH	UNIT
	8637-SW	6" Round Stainless Steel Push Plate with blue handicap logo • Includes surface mounting box • (hard wired connection)	---	Each
	8652-KIT	Basic 6" Round Push Plate package, • Includes (2) 8637-SW • (hard wired connection)	---	Each
	8653-KIT	Basic 6" Round Push Plate package, • Includes (2) 8637-SW, • with 1 set of MTR-01 • (wireless connection)	---	Each
	MTR-01	Basic Radio Kit includes, • 2 transmitters @ 433 MHz • 1 receiver @ 433 MHz	---	Each
	SCAN-8660	Infrared Safety Sensor • door mounted • length: 34.5"	---	Each
	ACT-36	36" Vertical Actuator Bar with logo & text • (hard wired connection)	---	Each
	ACT-900	36" Vertical Actuator Bar with logo & text • (900 MHz wireless connection)	---	Each

▶ **PARTS & ACCESSORIES FOR 8600 SERIES**

◆◆◆ **STANDARD DISCOUNT ONLY** ◆◆◆

ILLUSTRATION	ITEM #	DESCRIPTION	FINISH	UNIT
	CTB-01	Touchless Wave to Open Switch with Text, Logo & Hand <ul style="list-style-type: none"> • active infrared sensing technology, 1" - 5" range • fits into a single gang electrical box • 2" x 4" Stainless Steel plate • Power: 12-24V DC • (hard wired connection) 	---	Each
	CTB-02	Touchless Wave to Open Switch with Text, Logo & Hand <ul style="list-style-type: none"> • active infrared sensing technology, 1" - 5" range • includes surface mount plastic box • 4.5" x 4.5" Stainless Steel plate • Power: 12-24V DC • (hard wired connection) 	---	Each
	CTB-05	Touchless Wave to Open Switch with Text & Hand <ul style="list-style-type: none"> • infrared photoelectric reflective sensor, 2" - 8" range • fits in a standard jamb size electrical box • 1.5" x 4.5" Stainless Steel plate • Power: 12-24V DC • weather resistant & adjustable timer delay, • red / green LED indicator • (hard wired connection) 	---	Each
	CTB-07	Touchless Wave to Open Switch with Text, Logo & Hand <ul style="list-style-type: none"> • infrared photoelectric reflective sensor, 2" - 8" range • includes surface mount plastic box • 4.5" x 4.5" Stainless Steel plate • Power: 12-24V DC • weather resistant & adjustable timer delay • red / green LED indicator • (hard wired connection) 	---	Each
	CTB-08W NEW ITEM	Touchless Wave to Open Switch with Text, Logo & Hand <ul style="list-style-type: none"> • Kit includes: • (2) Touchless Wireless Switch with transmitter & • (1) Receiver 2.4GHz • battery powered, active infrared sensing technology, 1"-11" adjustable sensing range • 4.5" x 4.5" Stainless Steel plate • Power: 12-30V DC • LED indicator, signal output for 1.5 seconds • (wireless connection) 	---	1 set
	CTB-09W NEW ITEM	Touchless Wave to Open Switch with Text & Logo <ul style="list-style-type: none"> • Kit includes: • (2) Touchless Wireless Switch with transmitter & • (1) Receiver 2.4GHz • battery powered, active infrared sensing technology, 1"-9" adjustable sensing range • 4.5" x 4.5" Polycarbonate plate • Power: 12-30V AC/DC • red/green LED indicator • (wireless connection) 	---	1 set

► PARTS & ACCESSORIES FOR 8600 SERIES

◆◆◆◆ STANDARD DISCOUNT ONLY ◆◆◆◆

ILLUSTRATION	ITEM #	DESCRIPTION	FINISH	UNIT
	8630-SW	Touchless Switch (text & hand) • with microwave motion technology • 4.5" x 4.5", double gang • 2" - 24" detection range • (hard wired connection)	---	Each
	8640-SM	Surface Mount Box, double gang • can be used with 8630-SW & 8633-SW • 4.5" x 4.5", square	---	Each
	8631-SW	Touchless Switch (text & hand) • with microwave motion technology • 4.5" x 2.75", single gang • 2" - 24" detection range • (hard wired connection)	---	Each
	8641-SM	Surface Mount Box, single gang • can be used with 8631-SW & 8633-SW • 4.5" x 2.75"	---	Each
	8632-SW	Touchless Switch (text & hand) • with microwave motion technology • 4.5" x 1.68", jamb mount • 2" - 24" detection range • (hard wired connection)	---	Each
	8642-SM	Jamb Surface Mount Box • can be used with 8632-SW • 1.5" x 4.75"	---	Each
	8633-SW	Touchless Switch (text & hand) • with microwave motion technology • comes with both single and double gang face plates • 4" - 24" detection range • can be used with 8640-SM & 8641-SM • (hard wired connection)	---	1 set
	8634-SW	6" Round Touchless Switch (text, logo & hand) • with microwave motion technology • short range detection • (hard wired connection)	---	Each
	8635-SW	4.75" Square Touchless Switch (text, logo & hand) • with microwave motion technology • short range detection • (hard wired connection)	---	Each