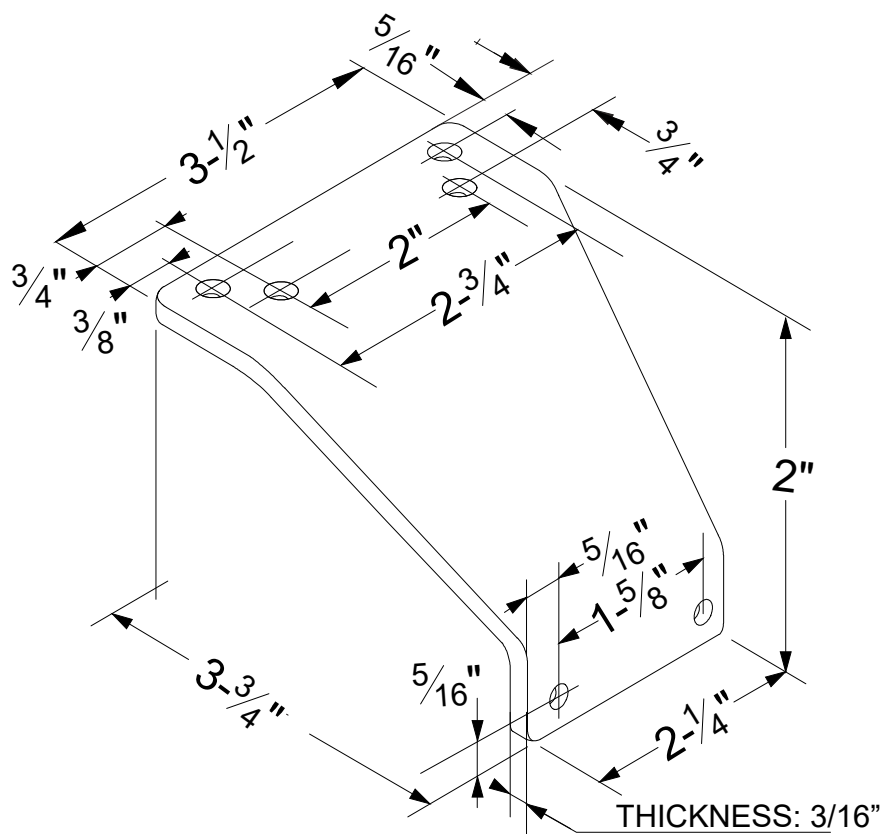


Minimum door rail for mounting closer $7\frac{3}{8}''$ ($\frac{5}{8}''$ stop shown)
 Minimum door rail to bottom of cover $7\frac{3}{4}''$ ($\frac{5}{8}''$ stop shown)
 Backcheck positioning valve in "ON" position



The illustration and technical description in this cut sheet is current as of the date in version date on the right.
 Cal-Royal Product reserves the right to, and may, on occasions, make changes and/or improvements in designs and dimensions without prior notice.

	6605 Flotilla Street City of Commerce CA 90040 USA Tel.# (323) 888-6601 FAX # (323) 888-6699 WEB SITE: CAL-ROYAL.COM Email: sales@cal-royal.com		ITEM NO.	DESCRIPTION	NOT TO SCALE	UNIT	Prepared By:	DATE	DWG. NO.
	904	PARALLEL ARM DROP BRACKET	PAGE 1 of 1	PRIMARY DIMENSION SHOWN IN INCHES, DIMENSIONS IN () ARE MM	BBT / ADG / CVL	04/08/22	DCT1019		
								REV	