

Alarm Exit Hardware

GRADE 1 Rim Type Exit Device



Rim Type Exit Devices

- NALRMA9800EO36 Alarm Rim Type 36" Door (Panic Grade)
- NALRMA9820EO48 Alarm Rim Type 48" Door (Panic Grade)
- FNALRMA980036 Alarm Rim Type 36" Door (Fire Grade)
- FNALRMA982048 Alarm Rim Type 48" Door (Fire Grade)

Vertical Rod Type Exit Devices

Prefix "NALRM" before MODEL #

Features

- 1, 3, 5-minute and continuous alarm type settings available 3 ½"
- ON and OFF power switch
- Alarm sound frequency is 120 db
- Alarm unit has an internal horn. When the push rail is depressed, the horn sounds to provide an audible means of signaling that the door has been opened and breached
- The key switch to turn alarm off is a standard 1 ¼" cylinder with "C" keyway. The alarm operates on one standard 9-volt transistor battery. When battery is weak the horn will emit an intermittent signal.
- Alarmed units are supplied with a micro switch, which monitors the push rail and the latch bolt for foolproof security on rim devices
- Alarm unit has a signal OC output that can be linked to external alarm control systems
- Easy removal of the alarm unit without the need to dismount the exit device for battery maintenance
- Unit includes "EMERGENCY EXIT ONLY ALARM WILL SOUND" decal for application on door or unit

Finishes

Cal-Royal	Description	BHMA	US Finish	Material
P	Prime Coat	600	USP	Steel
3	Polished Brass, Clear Powder Coat	605	US3	Brass
4	Satin Brass, Clear Powder Coat	606	US4	Brass
9	Polished Bright Bronze	611	US9	Bronze
10	Satin Bronze, Clear Powder Coat	612	US10	Bronze
10B	Oil Rubbed Bronze	613	US10B	Bronze
26	Polished Bright Chrome	625	US26	Brass
26D	Satin Chrome	626	US26D	Brass
32	Polished Bright Stainless	628	US32	Stainless Steel
32D	Satin Stainless	630	US32D	Stainless Steel

Trim Selection

CLUTCH CYLINDRICAL LEVER

Non-Handed Grade 1 (Clutch Style)

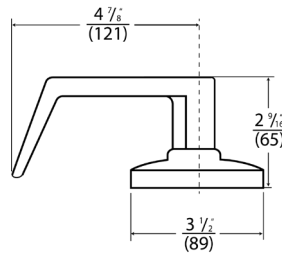
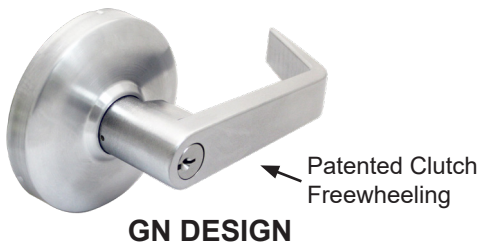
Cylindrical body hardened steel heavy duty tailpiece. For 1 3/4" and 2 1/4" doors. Prefix "THI" before Part # for 2 1/4" door thickness.

Available for fire and non-fire rated rim and vertical rod exit devices.

Rose diameter 3 1/2", lever length 4 3/4". Fits and covers 161 cutout.

Finishes: US26D, US26, US3, US4, US10B, US10BE, US1

***GN DESIGN ONLY: ENT00L, ICENT00L, STR05L, ICSTR05L, PAS30L, DUM40L IN US32D FINISH, ALL STAINLESS STEEL EXTERIOR. INCLUDES GRADE 304SS LEVER AND ROSE**



- ENT00L or
- ICENT00L or
- ICSCENT00L4
- SARICENT00L (Sargent)
- RUSICENT00L (Corbin / Russwin)
- YALICENT00L (Yale)
- 8000K
- STR05L or
- ICSTR05L or
- ICSCSTR05L4
- SARICSTR05L (Sargent)
- RUSICSTR05L (Corbin / Russwin)
- YALICSTR05L (Yale)
- PAS30L
- DUM40L

ENTRANCE
Key locks and unlocks lever. Operates as CLASSROOM FUNCTION. ANSI Function (08)

Ball Knob Keylock
STOREROOM
Key operates lever, otherwise always locked. ANSI Function (09)

PASSAGE
Trim always operable and free. ANSI Function (14)

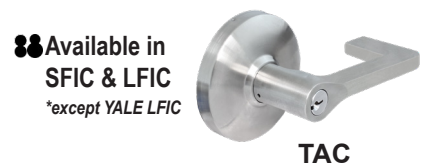
DUMMY
Dummy trim. One sided ANSI Function (02)

KEYWAY: 6-Pin solid brass "C" keyway standard. Optional: Schlage E, Schlage C-K, Russwin D1-2-3-4, Corbin 59/60, Sargent LA-LB-LC, Falcon/Weiser E, Arrow A, Yale 8, Yale GA and Kwikset. Can also accept Medeco, Assa, Kaba and **Cal-Royal HSK** High Security Cylinders.

- (IC) **INTERCHANGEABLE CORE:** Interchangeable Core locks will accept compatible 6 or 7-Pin cores with **BEST, FALCON and ARROW.**
- (ICSC) **INTERCHANGEABLE CORE:** Indicates function available with **SCHLAGE, CORBIN/RUSSWIN, SARGENT and YALE Full Size Format Interchangeable Core**

KEYWAY + DESIGN + FUNCTION + FINISH	HOW TO ORDER IN LFIC																												
<table border="0" style="width: 100%; border-collapse: collapse;"> <tr> <td style="padding: 2px;">BEST, FALCON, & ARROW -</td> <td style="border: 1px solid black; padding: 2px;">IC</td> <td style="border: 1px solid black; padding: 2px;">AT</td> <td style="border: 1px solid black; padding: 2px;">ENT00L</td> </tr> <tr> <td style="padding: 2px;">SCHLAGE -</td> <td style="border: 1px solid black; padding: 2px;">ICSC</td> <td style="border: 1px solid black; padding: 2px;">SPA</td> <td style="border: 1px solid black; padding: 2px;">STR05L</td> </tr> <tr> <td style="padding: 2px;">CORBIN/RUSSWIN -</td> <td style="border: 1px solid black; padding: 2px;">RUSIC</td> <td style="border: 1px solid black; padding: 2px;">TUB*</td> <td style="border: 1px solid black; padding: 2px;">PAS30L</td> </tr> <tr> <td style="padding: 2px;">SARGENT -</td> <td style="border: 1px solid black; padding: 2px;">SARIC</td> <td style="border: 1px solid black; padding: 2px;">AUG</td> <td style="border: 1px solid black; padding: 2px;">DUM40L</td> </tr> <tr> <td style="padding: 2px;">YALE -</td> <td style="border: 1px solid black; padding: 2px;">YALIC</td> <td style="border: 1px solid black; padding: 2px;">DAN</td> <td></td> </tr> <tr> <td></td> <td></td> <td style="border: 1px solid black; padding: 2px;">LON</td> <td></td> </tr> <tr> <td></td> <td></td> <td style="border: 1px solid black; padding: 2px;">TAC</td> <td></td> </tr> </table>	BEST, FALCON, & ARROW -	IC	AT	ENT00L	SCHLAGE -	ICSC	SPA	STR05L	CORBIN/RUSSWIN -	RUSIC	TUB*	PAS30L	SARGENT -	SARIC	AUG	DUM40L	YALE -	YALIC	DAN				LON				TAC		<p>Example: ICSCENT00L4 US26D in "SPA" design is ICSCSPAENT00L4 US26D</p>
BEST, FALCON, & ARROW -	IC	AT	ENT00L																										
SCHLAGE -	ICSC	SPA	STR05L																										
CORBIN/RUSSWIN -	RUSIC	TUB*	PAS30L																										
SARGENT -	SARIC	AUG	DUM40L																										
YALE -	YALIC	DAN																											
		LON																											
		TAC																											
<p><small>**Note: Yale LFIC is only available in GN, AT, SPA lever designs TUB* is only available in SFIC.</small></p>																													

Other Lever Trim Designs



Anti-Microbial Coating available in US26D or US32D Only. Use part # "ANTB-TRIM" when ordering.

Trim Selection



HEAVY DUTY STAINLESS STEEL CLUTCH LEVER ESCUTCHEON (High Frequency Abusive Situation such as Schools, Hospitals, Industrial / Institutional)

CONSTRUCTION

- Clutch mechanism
- Double heavy duty spring support to prevent sagging and enhance operation
- Grade 1, thru-bolted design. Non-handed design. Easily field reversible
- All Stainless Steel heavy duty tailpiece.
- Available for fire and non-fire rated rim and vertical rod exit devices
- Standard 6-Pin Schlage "C" Mortise Cylinder included

DOOR THICKNESS

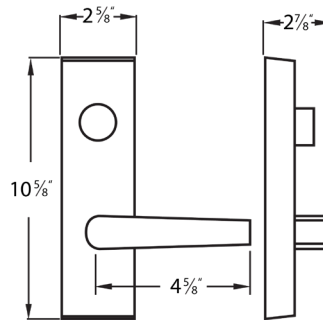
Standard 1 3/4" to 2".

For 2" or 2 1/2" thick door use additional Part # TAIL9

ESCUTCHEON DIMENSIONS

2 5/8" width X 10 5/8" length. Lever length: 4 5/8".

Fits and covers 2 1/8" 161 cutout



HDESC-00 or

- ICHDESC-00
- ICSCHDESC-00

HDTSESC-00

- ICHDTSESC-00
- ICSCHDTSESC-00

HDESC-05 or

- ICHDESC-05
- ICSCHDESC-05

HDTSESC-05

- ICHDTSESC-05
- ICSCHDTSESC-05

HDESC-30

HDTSESC-30

HDESC-40

HDTSESC-40

ENTRANCE

Clutch Entrance, key locks or unlocks escutcheon trim.
ANSI Function (08)
Operates as classroom function

STOREROOM

Clutch Storeroom, key unlocks lever, lever retracts latch bolt, otherwise always locked. ANSI Function (09)

PASSAGE

Trim always operable and free
ANSI Function (14)

DUMMY

Dummy Escutcheon trim
ANSI Function (02)

FOR ELECTRIFIED TRIM OPTIONS, SEE PAGE 37

TO ORDER RL lever design, add "RL" after "HD" when ordering.
e.g. HDRLESC-00 for HDESC-00 with RL design.

KEYWAY: 6-Pin solid brass "C" keyway Mortise Cylinder standard. Optional: Schlage E, Schlage C-K, Russwin D1-2-3-4, Corbin 59/60, Sargent LA-LB-LC, Falcon/Weiser E, Arrow A, Yale 8, Yale GA and Kwikset. Can also accept Medeco, Assa, Kaba and **Cal-Royal HSK** High Security Cylinders.

• (IC) **INTERCHANGEABLE CORE:** Interchangeable Core locks will accept compatible 6 or 7-Pin cores with BEST, FALCON and ARROW

• (ICSC) **INTERCHANGEABLE CORE:** Indicates function available with **Schlage Full Size Format** Interchangeable Core. Corbin, Sargent and Yale format also available.

Lever Trim Designs



HDESC



HDTSESC



HDRLESC

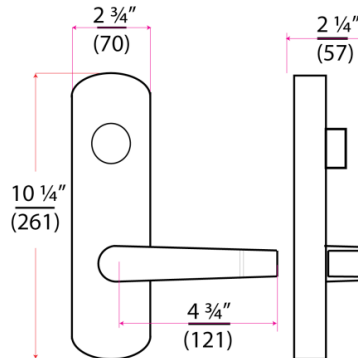
Anti-Microbial Coating available in US32D Only.
Use part # "ANTB-TRIM" when ordering.

Trim Selection

RIGID LEVER ESCUTCHEON

CONSTRUCTION

- Rigid, non clutch mechanism.
- Double heavy duty spring support to prevent sagging and enhance operation.
- Grade 1, thru-bolted design. Non-handed design. Easily field reversible.
- Hardened steel heavy duty tailpiece. Available for fire and non fire rated rim and vertical rod exit devices.
- Standard 6-Pin Schlage "C" Mortise Cylinder included



DOOR THICKNESS

Standard 1 3/4". For 2 1/4" thick door use additional Part # TAIL3

ESCUTCHEON DIMENSIONS

2 3/4" width X 10 1/4" length. Lever length: 4 3/4". Fits and covers 2 1/8" 161 cutout.

Anti-Microbial Coating available in US26D or US32D Only. Use part # "ANTB-TRIM" when ordering.

- **NESC9800 or ICNESC9800 or ICSCNESC9800**

ENTRANCE
Rigid Entrance, key locks or unlocks escutcheon trim ANSI Function (08) Operates as classroom function

- **NESC9805 or ICNESC9805 or ICSCNESC9805**

STOREROOM
Rigid Storeroom, key unlocks lever, lever retracts latch bolt, otherwise always locked ANSI Function (09)

NESC9830

PASSAGE
Trim always operable and free ANSI Function (14)

NESC9840

DUMMY
Dummy Escutcheon trim ANSI Function (02)

TO ORDER other lever design insert "AT", "RL", "TUB", "LON", or "TAC" before "ESC": e.g. **ATESC9800** for NESC9800 with AT design.

KEYWAY: 6-Pin solid brass "C" keyway Mortise Cylinder standard. Optional: Schlage E, Schlage C-K, Russwin D1-2-3-4, Corbin 59/60, Sargent LA-LB-LC, Falcon/Weiser E, Arrow A, Yale 8, Yale GA and Kwikset. Can also accept Medeco, Assa, Kaba and **Cal-Royal HSK** High Security Cylinders.

FOR ELECTRIFIED TRIM OPTIONS SEE PAGE 37

- **(IC) INTERCHANGEABLE CORE:** Interchangeable Core locks will accept compatible 6 or 7-Pin cores with BEST, FALCON and ARROW.
- **(ICSC) INTERCHANGEABLE CORE:** Indicates function available with Schlage Full Size Format Interchangeable Core. Corbin, Sargent and Yale format also available.



Trim Selection

PULL DESIGN



9800 NL
IC9800NL
ICSC9800NL

FOR RIM DEVICES ONLY

Outside by pull and key.
Key retracts latch bolt.
ANSI function (03)
Covers 161 cutout

KEYWAY

Standard 6-Pin solid brass "C"
keyway Rim Cylinder included.

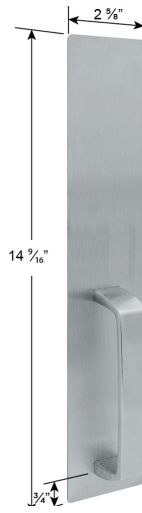
FINISHES

Architectural plated finishes.



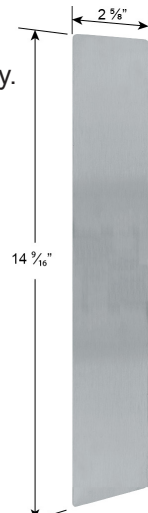
9800 DTP

Outside by pull only.
Pull when dogged.
ANSI function (02)
Covers 161 cutout.



9800 EOP

Outside by plate only.
ANSI function (01)
Covers 161 cutout



THUMBPIECE TRIM (OPERATES ON RIM & VERTICAL ROD DEVICES)

98TP-00 or
IC98TP00
ICSC98TP00

ENTRANCE

Key locks or unlocks thumbpiece.
(Operates as classroom function)
ANSI Function (05)

98TP-05 or
IC98TP05
ICSC98TP05

STOREROOM

Key unlocks thumbpiece, thumbpiece retracts
latch bolt, otherwise always locked.
ANSI Function (06)

98TP-30

PASSAGE

Trim always operable and free.
ANSI Function (15)

98TP-40

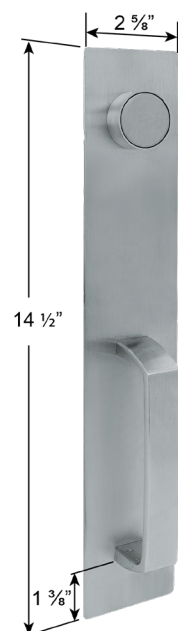
DUMMY

Dummy trim. **Includes blank Mortise
dummy cylinder.** One sided.
ANSI Function (02)

KEYED



DUMMY



KEYWAY: 6-Pin solid brass "C" keyway Mortise Cylinder standard. Optional: Schlage E, Schlage C-K, Russwin D1-2-3-4, Corbin 59/60, Sargent LA-LB-LC, Falcon/Weiser E, Arrow A, Yale 8, Yale GA and Kwikset. Can also accept Medeco, Assa, Kaba and **Cal-Royal HSK** High Security Cylinders.

● (IC) INTERCHANGEABLE CORE

Interchangeable Core locks will accept compatible 6 or 7-Pin cores with BEST, FALCON and ARROW.

● (ICSC) INTERCHANGEABLE CORE: Indicates function available with Schlage Full Size Format Interchangeable Core. Corbin, Sargent and Yale format also available.

FINISHES

Architectural plated finishes.

Electrified Lever Trim

Cal-Royal's electrified lever trim provides remote locking and unlocking capabilities using industry safety standards. The solenoid can be energized from a distant controller, thus allowing access control of the opening.

The control of stairwells in high-rise buildings is a common application for this trim, where electric pullback of the exit device's latch bolt is cost prohibitive or not required. This is especially practical in applications where fire/life safety codes require a "fail-safe" condition which is not an option with electrified latch pullback devices. Because the current draw is quite low there is no need for a more expensive power supply to provide the surge current.

Features

- Continuous duty solenoids used to insure trouble-free operation
- Internally mounted solenoid to ease installation (no special door prep required)
- No hassle 3-year warranty

Options

- Available Fail Safe (Electrically Locked) or Fail Secure (Electrically Unlocked)
- Voltage options – 12V or 24V (AC / DC)
- Request to Enter Switch (REE) available
- CRU2 – Current Reduction Unit to improve solenoid life in "continuously on" applications

Specifications

Solenoid..... Continuous Duty

Operating Voltage.... 12 or 24V AC / DC \pm 10%
(must specify 12 or 24 volts when ordering)

Amperage.....250mA @ 12V or 150mA @ 24V

Coil Resistance.....12V = 49 Ω or 24V = 159 Ω

To order, Specify:

OPTIONS: FAIL SAFE (FS)

FAIL SECURE (FSE)

ITEM#	DESCRIPTION
FS12	FS12 FAIL-SAFE OPTION 12V AC/DC
FS24	FS24 FAIL-SAFE OPTION 24V AC/DC
FSE12	FSE12 FAIL-SECURE OPTION 12V AC/DC
FSE24	FSE24 FAIL-SECURE OPTION 24V AC/DC

TO ORDER other design, ADD: "NESC98", "ATESC98", "RLESC98", "TUBESC98", "LONESC98", or "TACESC98" after the Electrification.
e.g. FSE24**ATESC98** for NESC98 in AT design

TO ORDER heavy duty design add **HD**, **TS**, or **RL** to Item #
e.g. FS12**HD** or FS12**TS** or FS12**RL**

Lever Trim Designs



NESC



ATESC



RLESC



TUBESC



LONESC



TACESC



HDESC



HDTSESC



HDRLESC

Anti-Microbial Coating available in US26D or US32D Only.
Use part # "ANTB-TRIM" when ordering.

(ELR) Electric Latch Retraction



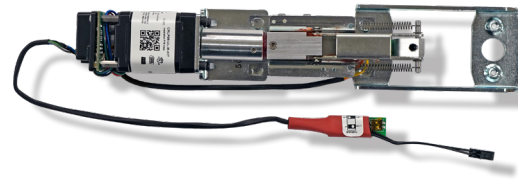
Our motor driven electrified latch pullback exit device allows for remote keyless access control in high occupancy / high traffic conditions where exit devices are required. Common applications include conditions such as hospitals, airports, schools, churches and they are commonly specified in applications that require automatic door openers. The device may be continuously energized allowing for a push / pull condition if desired.

Features:

- Available on 9800 Series, including rim, vertical rod, concealed vertical rod, mortise exit device, fire and non fire-rated devices
- MM4 Smart Module: On board diagnostics with audible feedback for adjustment and power issues
- “PTS” (Push to Set Technology): 5 second electronic adjustment for easy post installation adjustment
- Electric dogging rated for continuous duty - Auto retraction if dogged push pad is pulled from position
- Low Current Draw - Field switchable to “High Torque” mode
- Up to 300’ wire run with (2) 18ga wire - Long wire runs provides installer with convenience of placing the locking device power supply in a centralized location; i.e. the same closet as the access panel
- 8’ cable with Quick Connect for MM4 module to easily connect to power supply lead
- 3-year “No Hassle” warranty

Specifications:

- Voltage – 24 to 28V DC
- System protection – unit shutdown when voltage exceeds 28V DC
- Average In-rush Current – 900mA; Average Hold Current - 215mA
- PTS adjustment – approx. ¼”
- Wire run: 300’ with 18ga wire



**INSTALLED ON THE EXIT
DEVICE: USE FLR2298 ADD**

**FOR FIELD INSTALLATION
USE FLR2298 KIT**

To Order:

- **Must Specify: Exit Device item #** and **FLR2298 ADD** as two separate line items.
For Example: A9800EO36 US32D with ELR option, order “**A9800EO36 US32D**”, and “**FLR2298 ADD**” as two line items.
- ***Use FLR2298 KIT if ordered separately.**
- **Optional Switch** (RX or LX) is also available and should be added as a **3rd line item** as needed.

Note: When using electrified hinge, you must use prefix ELELRn + hinge item code, where “n” is equal to number of wires. For example: ELELR4 + BB31.

**MUST USE CRP POWER SUPPLIES TO
HONOR WARRANTY (see pages 97-98)**

Signal Switch RX and LX

RX (request to exit) signal switch is used to signal the use of an opening from the push side. When the push pad is depressed, the switch is activated. These devices are equipped with an internal SPDT (single pole double throw) switch that monitors the touch bar.

LX (latch bolt monitoring) signal switch monitors both egress and access of an opening. When the latch bolt is retracted, the switch is activated. These devices are equipped with an internal SPDT (single pole double throw) switch that monitors the latch bolt position.

LX and **RX** switches can be combined.

LX, RX switches can be used in combination with ELR (electric latch retraction) option.

Specifications

RX or **LX**.....Switch rated 0.5 amps @ 24V AC / DC resistive
Low current **RX** or **LX**.Switch rated 0.5 amps @ 24V AC / DC resistive

for Factory Installed. To Order, Specify:

- RX22/98**.....Request to Exit switch for field installation
- LX9800**.....Latch bolt Monitoring switch for field installation
- LXRX9800**.....Latch bolt Monitoring / Request to Exit Combination

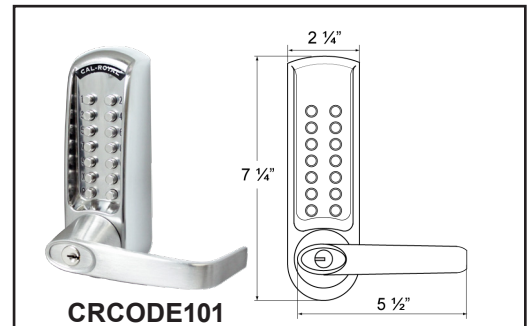
Heavy Duty Digital Exit Trims



MECHANICAL CRCODE101

Features

- Heavy Duty
- Designed for 6600, 7700 and 9800 Series
- Grade 1 Rim and Surface Vertical Rod Exit Devices
- Single Code (up to 8000 code combinations)
- Weather-Resistant finish
- Code can be changed anytime without dismounting
- Full size, Non-Handed lever handle
- Easy Installation
- Reversible Handing

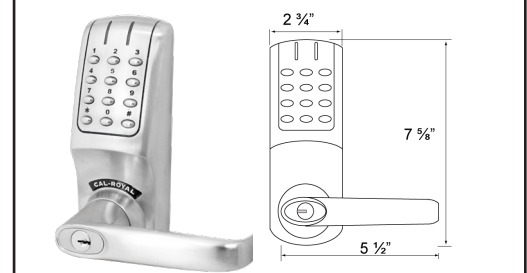


CRCODE101

ELECTRONIC CRCODE007

Features

- Dual mode for code free entry either mechanically by key or electronically thru the keypad
- Designed for 6600, 7700 and 9800 Series Rim Exit Devices
- Can store up to 90 different numeric user codes in 4, 5 or 6 digits
- Settings remain in memory when batteries are removed
- Audible alarm sounds after 3 incorrect attempts
- Connections available for remote release switch and automatic lock activation when linked to Fire alarm system
- Can be used as STOREROOM or CLASSROOM function
- Factory default set as STOREROOM function
- Fast and easy programming via master code

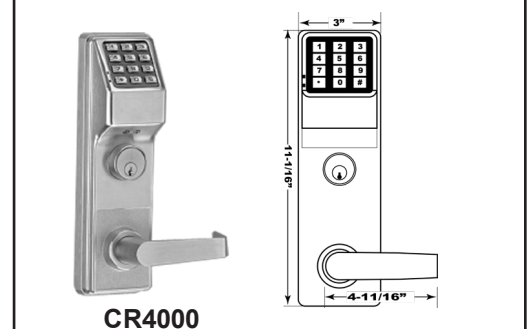


CRCODE007

CR4000 TRILOGY® KEYLESS EXIT TRIM

Features

- Clutch mechanism insures long life and durability
- Fingertip and / or Windows programmable
- 2000 User Codes: Master, manager, supervisor and users
- Real Time Clock for up to 40,000 Event Time / Date-Stamped Audit Trail
- Up to 500 Lock / Unlock Schedules (with Time Zone Support)
- Rugged 12-Button Metal Keypad
- Non-Handed; Fully Field Reversible
- Adaptable to most major manufacturers of standard RIM and IC RIM Cylinders
- Battery operated; uses 5 AA batteries
- Optional Interchangeable Core available with Best, Falcon & Arrow

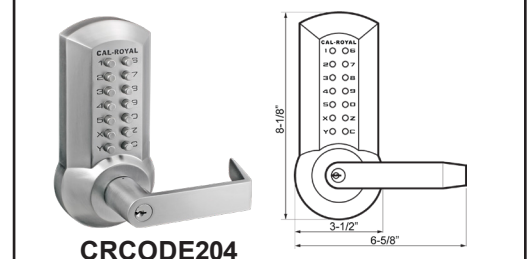


CR4000

MECHANICAL CRCODE204

Features

- Breakaway Lever Design
- Easy On-Door Code Change
- Weather Resistant
- Code-Free Option (Passage)
- Non-Handed
- 1 - 12 digit Length Code
- Thousands of Possible Code Combinations
- Single Code User
- Applications: Offices, Schools, Hospitals, Apartments, Hotels / Motels, Residential, Commercial and Public Buildings
- Door Thickness: 1 3/4" - 2"



CRCODE204

KABA® - Cal-Royal Combination

Cal-Royal's Exit hardware devices combined with Kaba InSync CP provide a variety of alternatives when addressing community access control. Recommended for applications such as controlling building entry openings, common area rooms and doors with exit devices. InSync CP are available as stand-alone battery operated door locks designed to work in conjunction with Cal-Royal's Exit Hardware Devices.



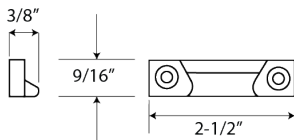
KABA InSync CP is not sold through CAL-ROYAL. For inquiries and information on InSync line of products please visit www.kabamultihousing.com

Strikes & Accessories

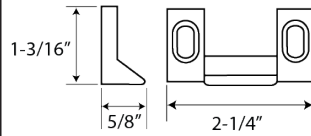


Strikes for use with A9860V Vertical Rod Exit Device All strikes are black nylon coated

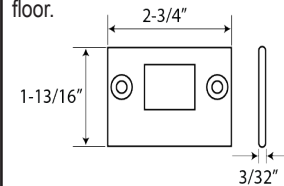
221
Standard for A9860V. Applied to surface of floor or to a flat threshold. Standard packaging.



227
Applied to surface of stop. No mortise required. Standard packaging.

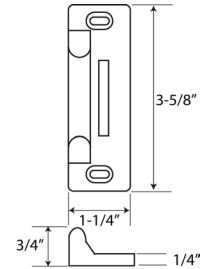


233
Bottom stike. Alternate bottom strike. Flush mounting, stainless steel. Furnished with expansion shields. Requires mortise on the floor.

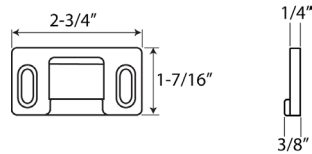


Strikes for use with A9800 Rim Type Exit Device

239
For A9800 surface applied. Standard packaging.



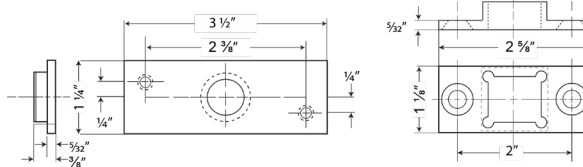
RIM238 Strike for 2 3/8" Backset Application



Strikes for FMCVR9800, MCVR9800, WCVR9800, FWCVR9800, GLSCVR9800 Fire and Non-Fire Exit Devices

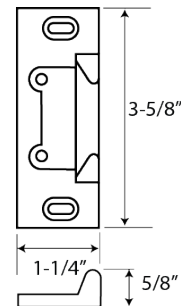
260 TOP STRIKE

265 BOTTOM STRIKE



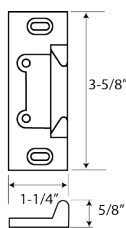
Strike for use with AF9800 Rim Type Fire Exit Device

245
For AF9800 surface applied. Standard packaging.



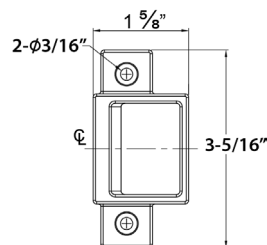
Strikes for use with AF9860V Vertical Rod Fire Exit Device

245
For AF9860V surface applied. Standard packaging.

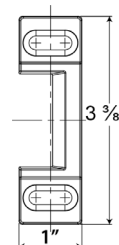


Strikes for use with GLS9800 Narrow Stile Exit Device

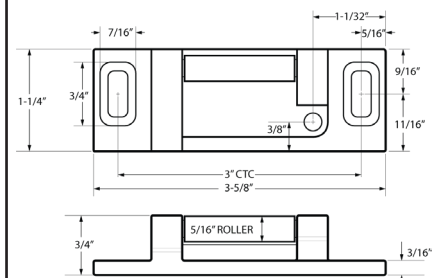
246
Used on frames with blade stop or integral stop. Surfaced applied or mortised. Standard packaging.



247
Applied to surface of stop. No mortise required.

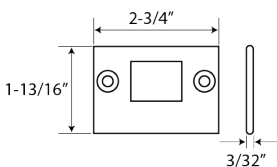


ADA Roller Strike for A9800, AF9800, A9860V, and AF9860V Fire and Non-Fire Exit Devices



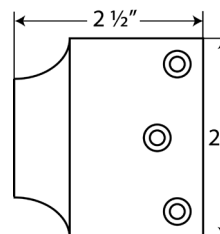
945 (NON-FIRE RATED)
945F (FIRE RATED)

233
Bottom strike for AF9860V. Flush mounting stainless steel. Furnished with expansion shields. Requires mortise in the floor. Standard packaging



Overlapping Strikes

N251
Surface applied. Used on inactive leaf for device on active leaf of pair of doors without mullion.



Accessories



LFF	
<p>Lock front filler</p>	
SF	
<p>Strike filler</p>	
GLASS BEAD SHIM KITS	
<p>801 – For rim type, 1/8" thick 806 – For vertical type, 1/8" thick 812 – For fire rated type, 1/8" thick</p>	
CYLINDER DOGGING KITS	
<p>TO ORDER: Prefix "CD" before PART #. Available for all 9800 Series devices except fire exit hardware. Cylinder dogging with mortise cylinder is located on the mounting insert lock bolt in retracted position.</p> <p>KIT ONLY: Use PART # 36CD9800 for 36" and 48CD9800 for 48" devices. Specify finish.</p> <p>NOTE: Use PART # 48CD9800 for 36" GLS Narrow Stile Rim and CVR Non-Fire Exit Devices.</p>	<p style="text-align: center;">CYLINDER DOGGING KIT</p> <ul style="list-style-type: none"> ● (IC) INTERCHANGEABLE CORE: Interchangeable Core locks will accept compatible 6 or 7-Pin cores with BEST, FALCON and ARROW ● (ICSC) INTERCHANGEABLE CORE: Indicates function available with Schlage Full Size Format Interchangeable Core. Corbin, Sargent and Yale format also available.