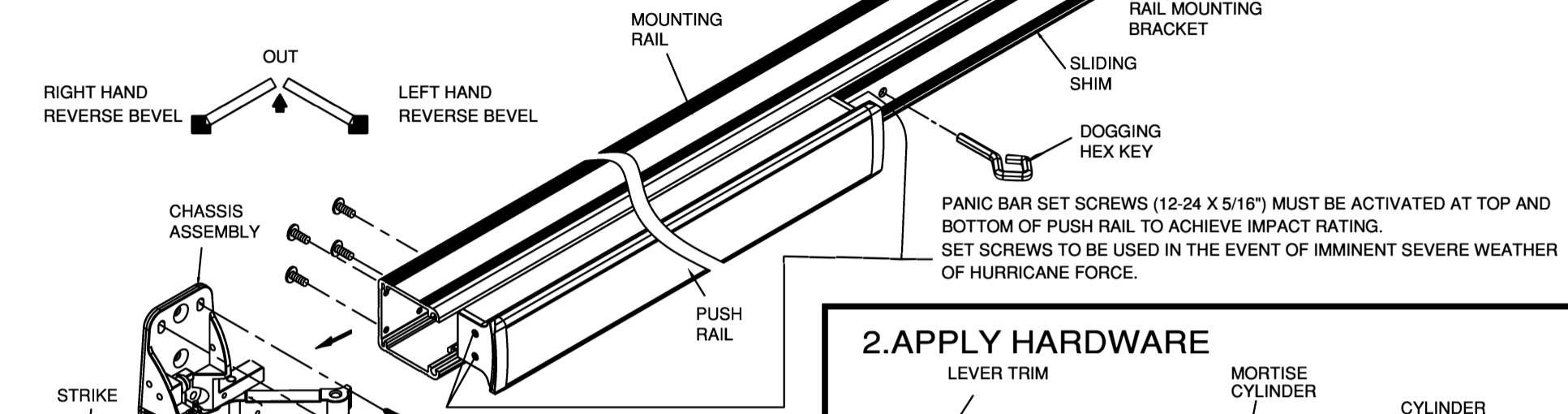


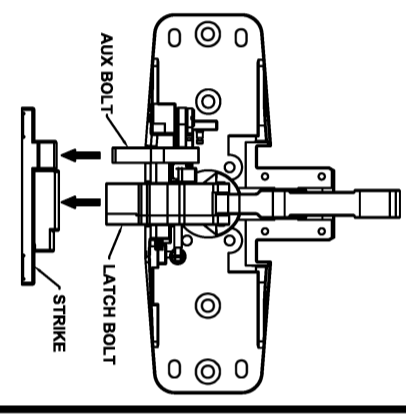
INSTALLATION INSTRUCTIONS FOR A7700 SERIES PANIC EXIT DEVICE

BEFORE INSTALLING DEVICE, PLEASE CHECK :

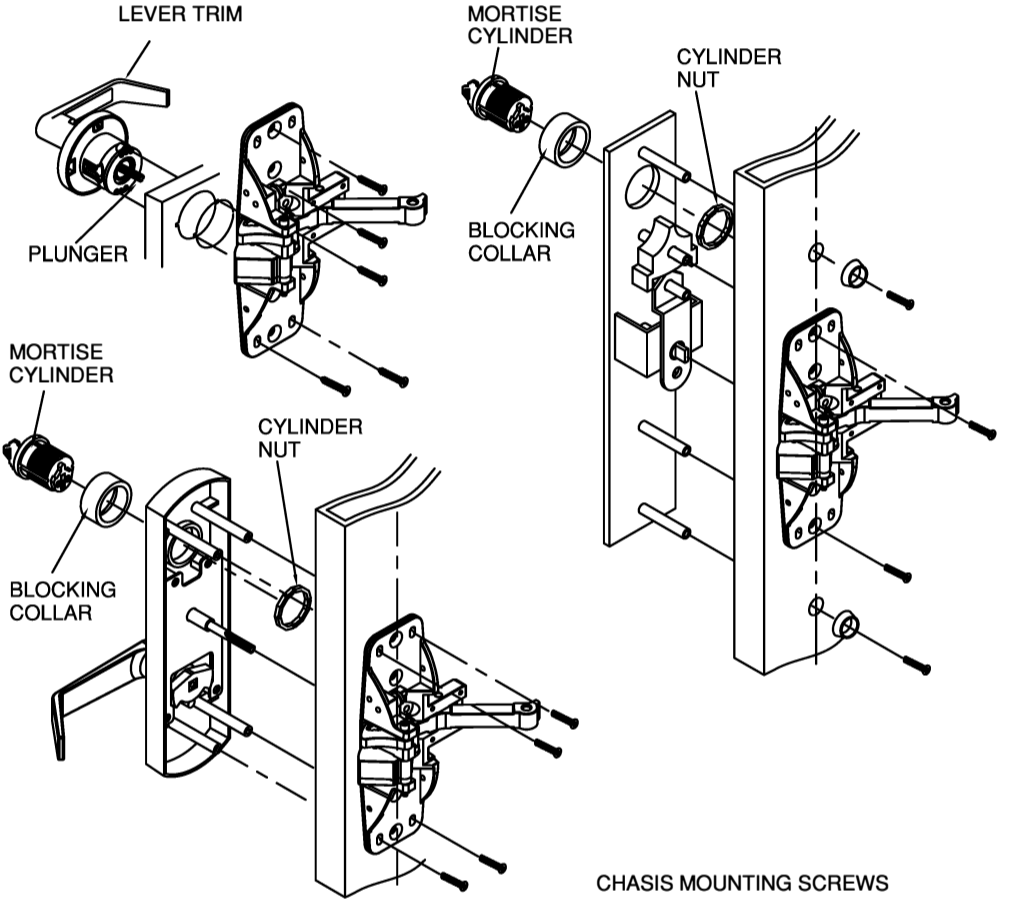
1. IF DOOR IS FITTED AND HUNG.
2. SIZE OF EXIT DEVICE, FUNCTION AND DESIGN...
 - 2.1. 36" DOORS, CAN BE CUT TO FIT DOORS DOWN TO 30" WIDE.
 - 2.2. 48" DOORS, CAN BE CUT TO FIT DOORS DOWN TO 36" WIDE.
 - 2.3. HAND OF DEVICE AGAINST APPLICATION.



AUX BOLT & LATCH BOLT INSTALLATION INSTRUCTION

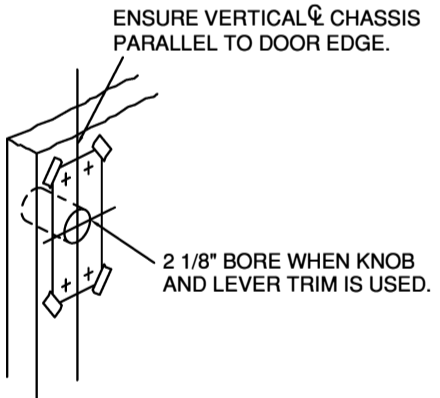


2. APPLY HARDWARE

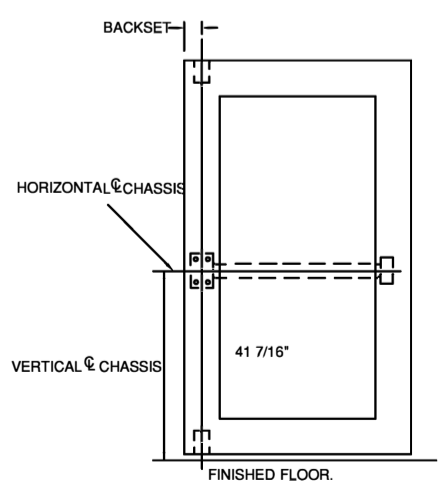


1. PREPARE DOOR

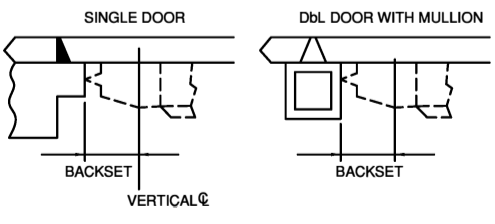
- 1.1 FOR 2 1/8" BORE PREP.
POSITION TEMPLATE OVER EXISTING HOLE AND MARK FOR TWO CHASSIS MOUNTING SCREW HOLES.



- 1.2 FOR DOOR W/O BORE PREP, MARK VERTICAL CHASSIS AND HORIZONTAL CHASSIS USING DIMENSIONS BELOW. MOUNTING SCREW HOLES.



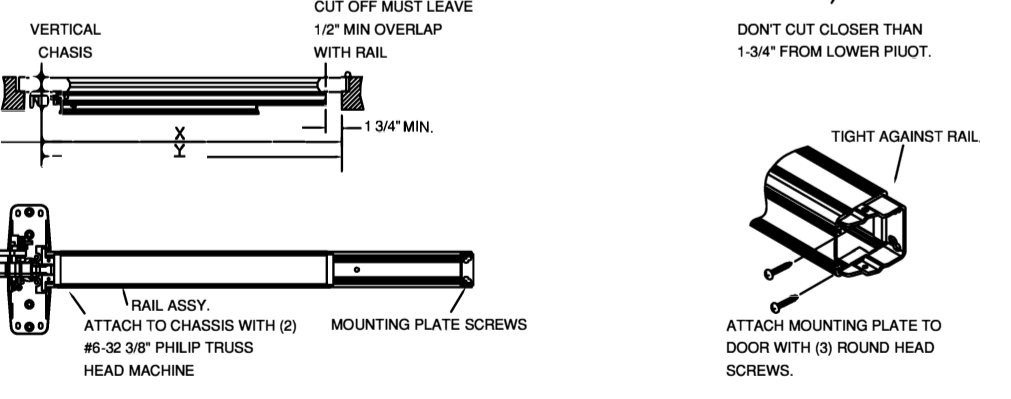
IDENTIFY TYPE OF INSTALLATION TO DETERMINE LOCATION OF VERTICAL CHASSIS



- STRIKE FOR BACKSET 2 1/4".
- STRIKE FOR BACKSET 1 3/4".
- STRIKE FOR BACKSET 2 1/4".
- STRIKE FOR BACKSET 1 1/2".

3. APPLY RAIL ASSEMBLY

- 3.1 CHECK THE SIZE OF DEVICE, IF CUTTING TO LENGTH IS REQUIRED.
- 3.2 DETERMINE CUT OFF LENGTH "X" BY SUBTRACTING 1-3/4" FROM "Y". MARK CUT OFF POINT ON MOUNTING RAIL.
- 3.3 DEPRESS ARM INTO RAIL OPENING AND SLIDE RAIL ONTO CHASSIS. LEVEL RAIL AND FASTEN CHASSIS AND MOUNTING PLATE.



4. APPLY COVER AND STRIKES

