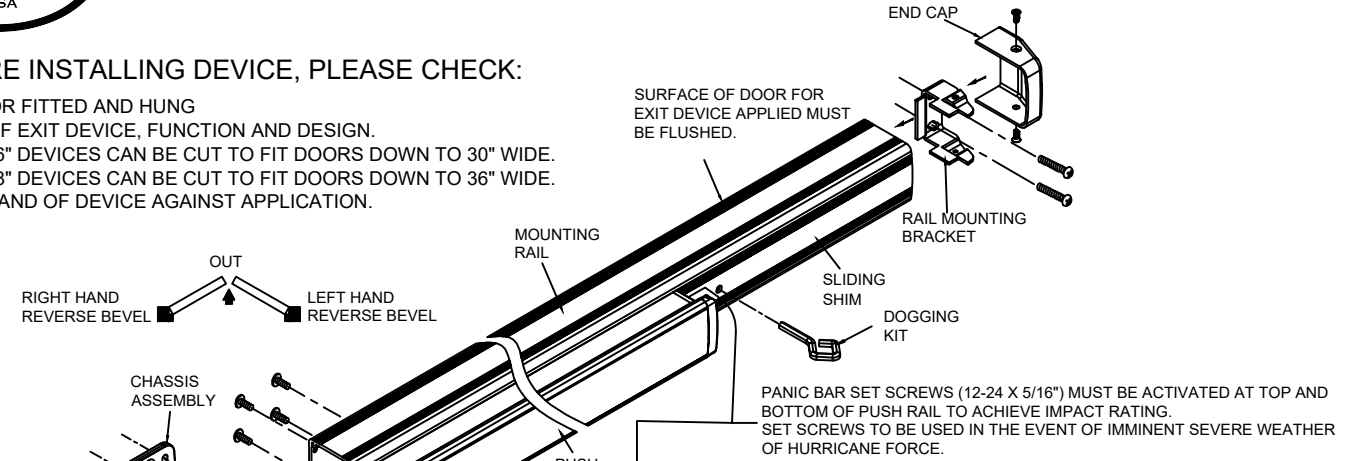


INSTALLATION INSTRUCTIONS FOR A7700 SERIES EXIT DEVICE

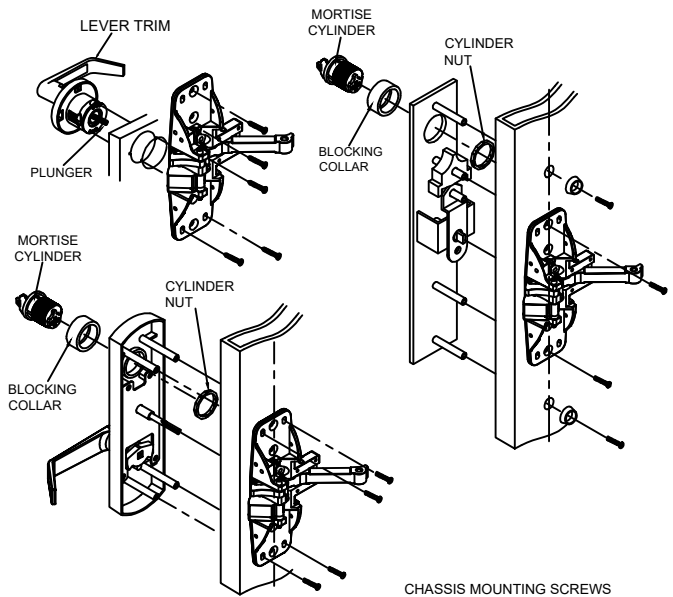
BEFORE INSTALLING DEVICE, PLEASE CHECK:

1. IF DOOR FITTED AND HUNG
2. SIZE OF EXIT DEVICE, FUNCTION AND DESIGN.
 - 2.1 36" DEVICES CAN BE CUT TO FIT DOORS DOWN TO 30" WIDE.
 - 2.2 48" DEVICES CAN BE CUT TO FIT DOORS DOWN TO 36" WIDE.
 - 2.3 HAND OF DEVICE AGAINST APPLICATION.



PANIC BAR SET SCREWS (12-24 X 5/16") MUST BE ACTIVATED AT TOP AND BOTTOM OF PUSH RAIL TO ACHIEVE IMPACT RATING. SET SCREWS TO BE USED IN THE EVENT OF IMMINENT SEVERE WEATHER OF HURRICANE FORCE.

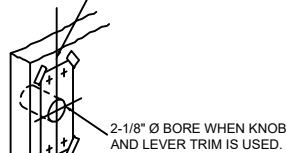
2. APPLY HARDWARE



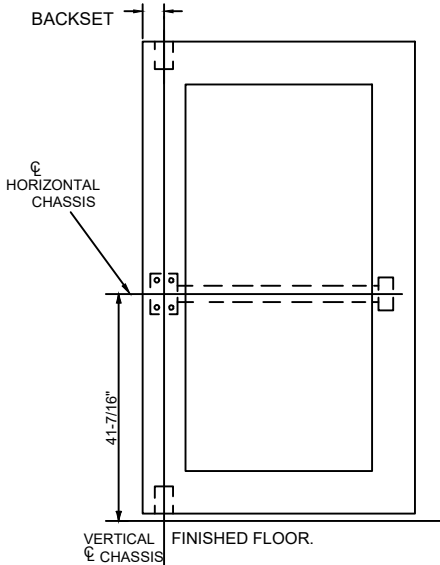
1. PREPARED DOOR

- 1.1 FOR 2-1/8" Ø BORE PREP. POSITION TEMPLATE OVER EXISTING HOLE AND MARK FOR TWO CHASSIS MOUNTING SCREW HOLES.

ENSURE VERTICAL & CHASSIS PARALLEL TO DOOR EDGE.

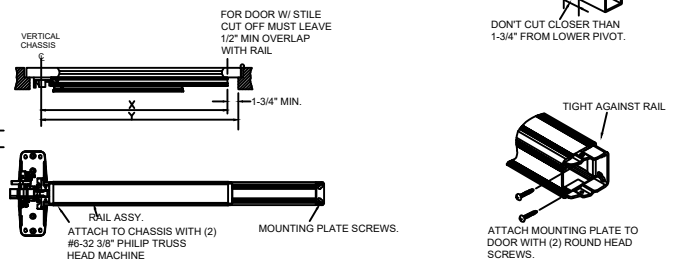


- 1.2 FOR DOOR W/O BORE PREP, MARK VERTICAL & CHASSIS AND HORIZONTAL & CHASSIS USING DIMENSION BELOW. MOUNTING SCREW HOLES.



3. APPLY RAIL ASSEMBLY

- 3.1 CHECK THE SIZE OF DEVICE, IF CUTTING TO LENGTH IS REQUIRED.
- 3.2 DETERMINE CUT OFF LENGTH "X" BY SUBTRACTING 1-3/4" FROM "Y". MARK CUT OFF POINT ON MOUNTING RAIL
- 3.2 DEPRESS ARM INTO RAIL OPENING AND SLIDE RAIL ONTO CHASSIS. LEVEL RAIL AND FASTEN CHASSIS AND MOUNTING PLATE.



4. APPLY COVER AND STRIKES

