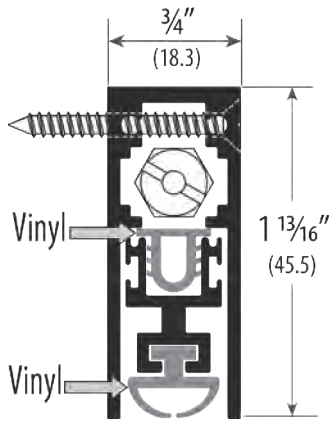




# ADB-702

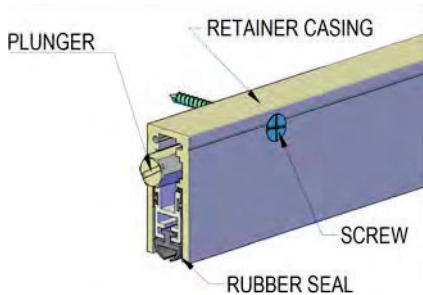
Automatic Door Bottom

# AUTOMATIC DOOR BOTTOMS (ADB)



ITEM/FINISH:  
**ADB-702**

LENGTH: 36" & 48"  
VINYL INSERT  
MILL FINISH ALUMINUM &  
DURO



**TESTING / RATINGS:**



GASKETING MATERIAL FOR FIRE DOORS INTENDED FOR APPLICATION TO UL LISTED STEEL FRAMES AND/OR CLASSIFIED STEEL COVERED COMPOSITE TYPE, AND HOLLOW METAL TYPE FIRE DOORS RATED UP TO 3HRS; WOOD AND PLASTIC COVERED COMPOSITE TYPE FIRE DOORS RATED UP TO 1-1/2 HRS; AND WOOD CORE TYPE FIRE DOORS RATED UP TO 20 MINUTES. 432V

**Installation Guidelines:**

1. Cut the ADB (Automatic Door Bottom) according to the required length. Make sure to only cut from the side with no plunger. **For surface application:** Cut the ADB approximately 1/32" shorter than the opening of the door. The cut must be beveled 1/8", see illustration 3. **For Semi-Mortise application:** ADB must be the same length as the door, less 1/32". **Reminder: If the door is fire labeled, mortise preparation must be done by the door manufacturer to ensure compliance with door standards.** **Note: The cut should not be less than 1-1/2" before the set screw. See Illustration 4.**
2. Place the ADB on the push side of the door. Make sure that the bottom of the aluminum is parallel to the surface of the floor. You may use a 1/4" to 3/8" height shim to keep the unit off the floor during installation.
3. Fasten unit with screws provided. Ideal clearance between the unit and finished floor is 3/8".
4. Set the ADB by turning the actuating plunger clockwise or counterclockwise until the rubber seal gasket touches the floor surface.
5. Lastly, install the endplate on both ends of ADB.

a) Surface Mounted: the plunger contacts the stop. See illustration #1.

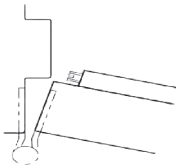


ILLUSTRATION 1

b) Semi-Mortised: the plunger contacts the rabbet. See illustration #2.

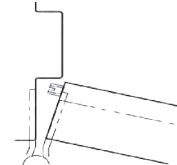


ILLUSTRATION 2

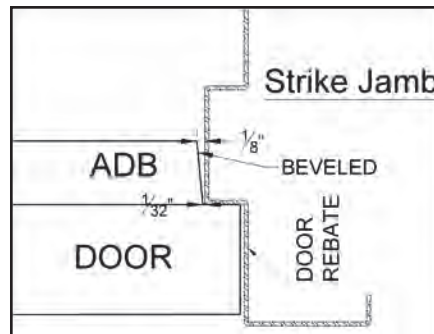


ILLUSTRATION 3

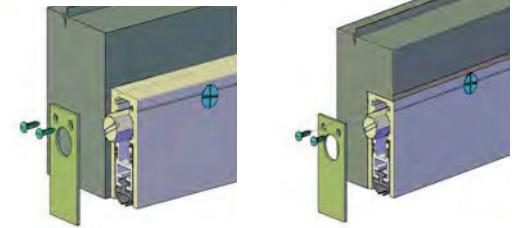
**TOOLS REQUIRED**

- Measuring Tape
- Marker
- Power Tools
- Screw Driver
- Cutting Tools

**PACKAGING INCLUDES**

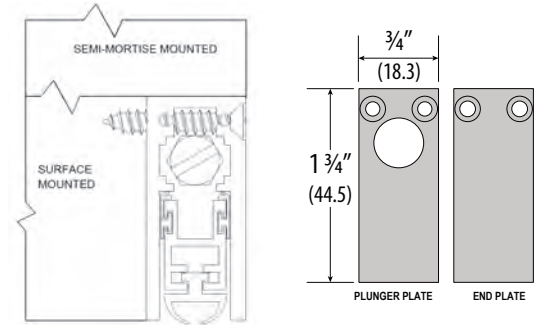
- (1) Automatic Door Bottom
- End Plate
- Screw Pack ( Size #8 x 1-1/2")

**SURFACE MOUNTED OR SEMI-MORTISED APPLICATION**

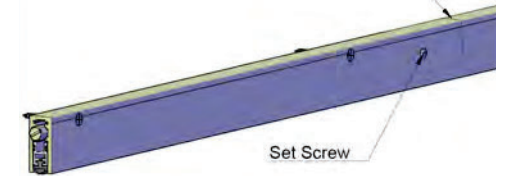


SURFACE MOUNTED

SEMI MORTISED



Maximum Cut should not closer than 1-1/2" to the set screw.



36" length = 8" cut maximum  
48" length = 14" cut maximum

ILLUSTRATION 4 (Trimming Guideline)

