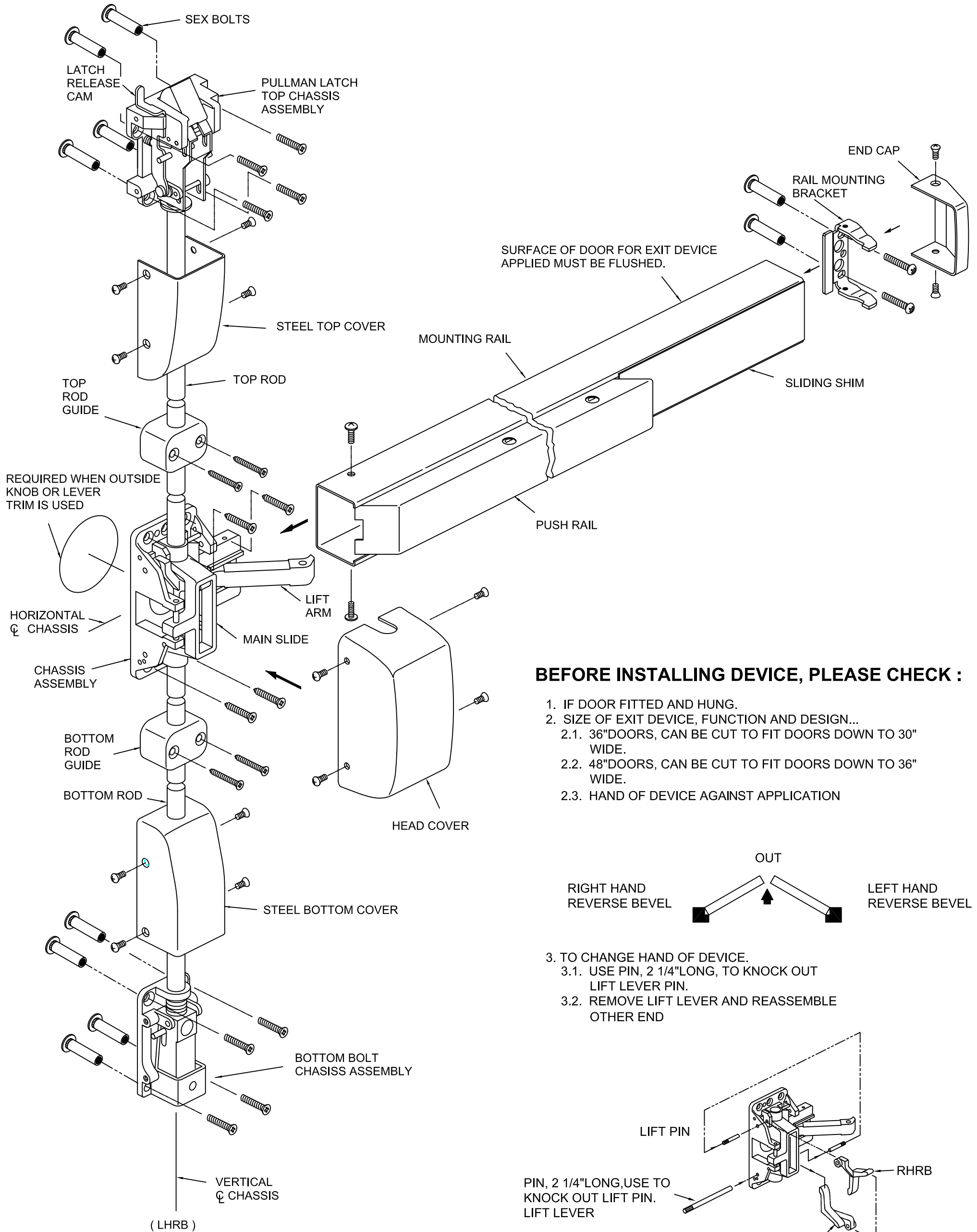


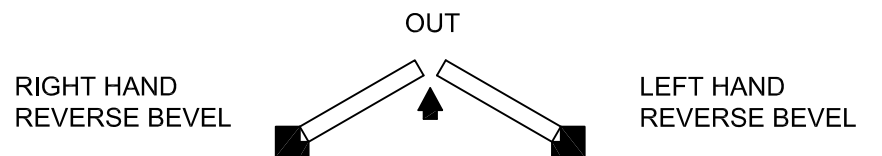
INSTALLATION INSTRUCTION FOR AF2260V SERIES FIRE VERTICAL ROD EXIT DEVICE

NOTE: ALL FIRE RATED APPLICATION ARE REQUIRED TO USE THE SEX BOLTS.

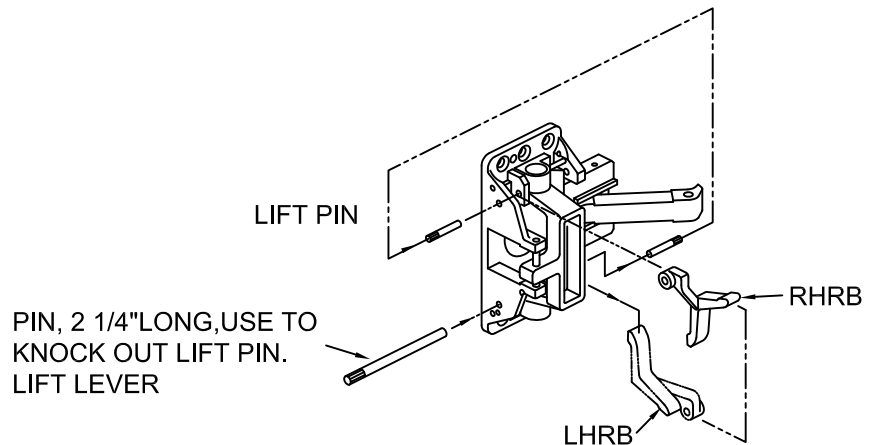


BEFORE INSTALLING DEVICE, PLEASE CHECK :

1. IF DOOR FITTED AND HUNG.
2. SIZE OF EXIT DEVICE, FUNCTION AND DESIGN...
 - 2.1. 36"DOORS, CAN BE CUT TO FIT DOORS DOWN TO 30" WIDE.
 - 2.2. 48"DOORS, CAN BE CUT TO FIT DOORS DOWN TO 36" WIDE.
 - 2.3. HAND OF DEVICE AGAINST APPLICATION



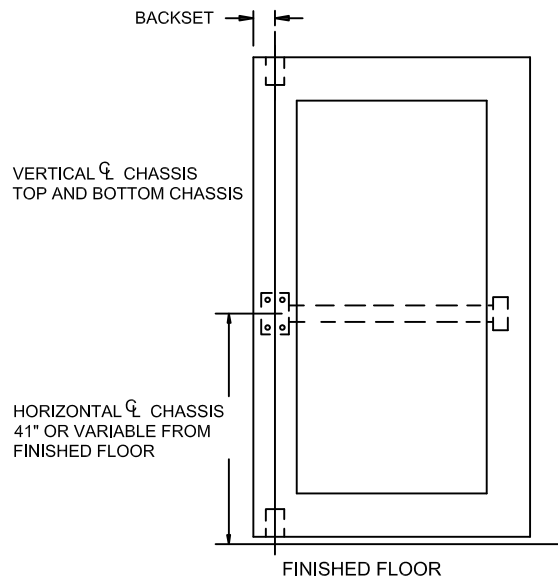
3. TO CHANGE HAND OF DEVICE.
 - 3.1. USE PIN, 2 1/4"LONG, TO KNOCK OUT LIFT LEVER PIN.
 - 3.2. REMOVE LIFT LEVER AND REASSEMBLE OTHER END



NOTE: ALL FIRE RATED APPLICATION ARE REQUIRED TO USE THE SEX BOLTS.

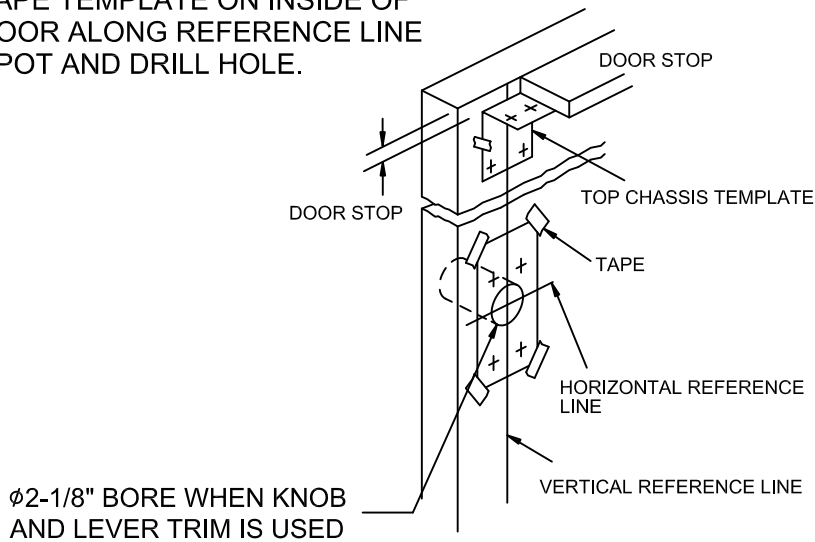
1. MARK VERTICAL AND HORIZONTAL REFERENCE LINE ON DOOR

DETERMINE BACKSET TO LOCATE VERTICAL REFERENCE LINE.
 1. IF LOCK STILE IS 4-1/2" WIDE OR WIDER, BACKSET IS 2-3/4".
 2. IF LOCK STILE IS LESS THAN 4-1/2" WIDE, BACKSET IS HALF OF THE EXPOSED WIDTH OF LOCK STILE.

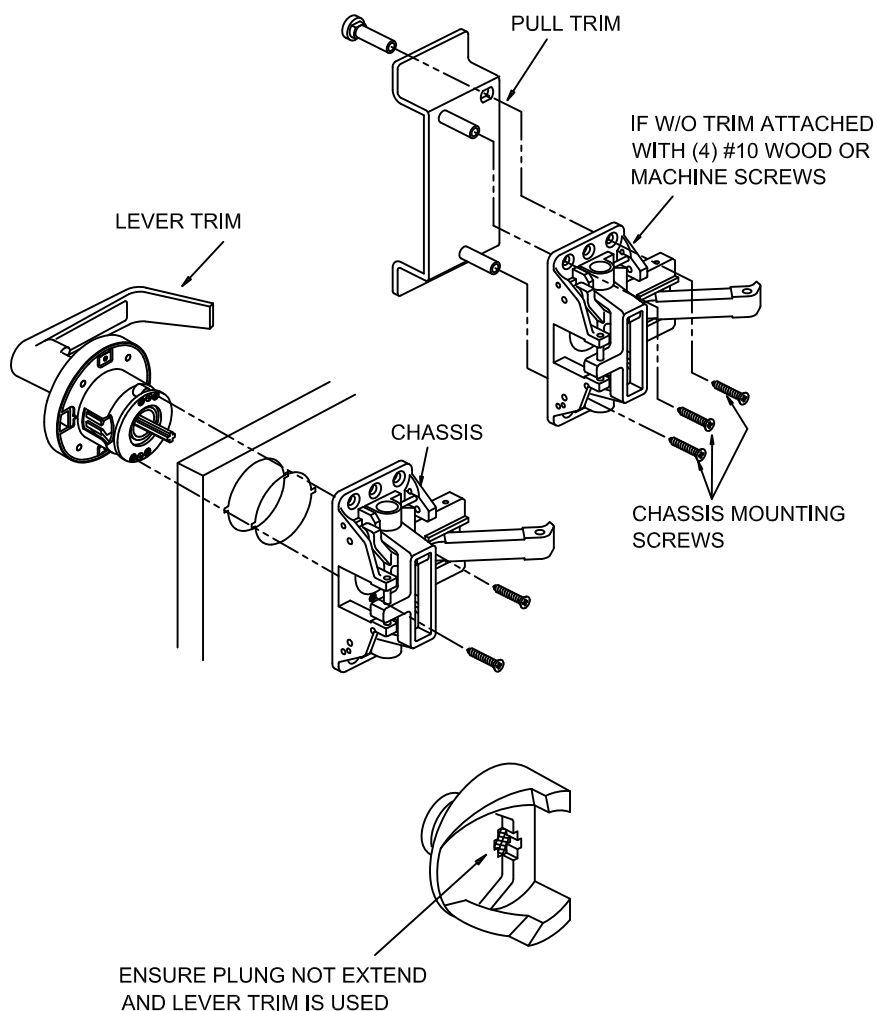


2. PREPARE DOOR

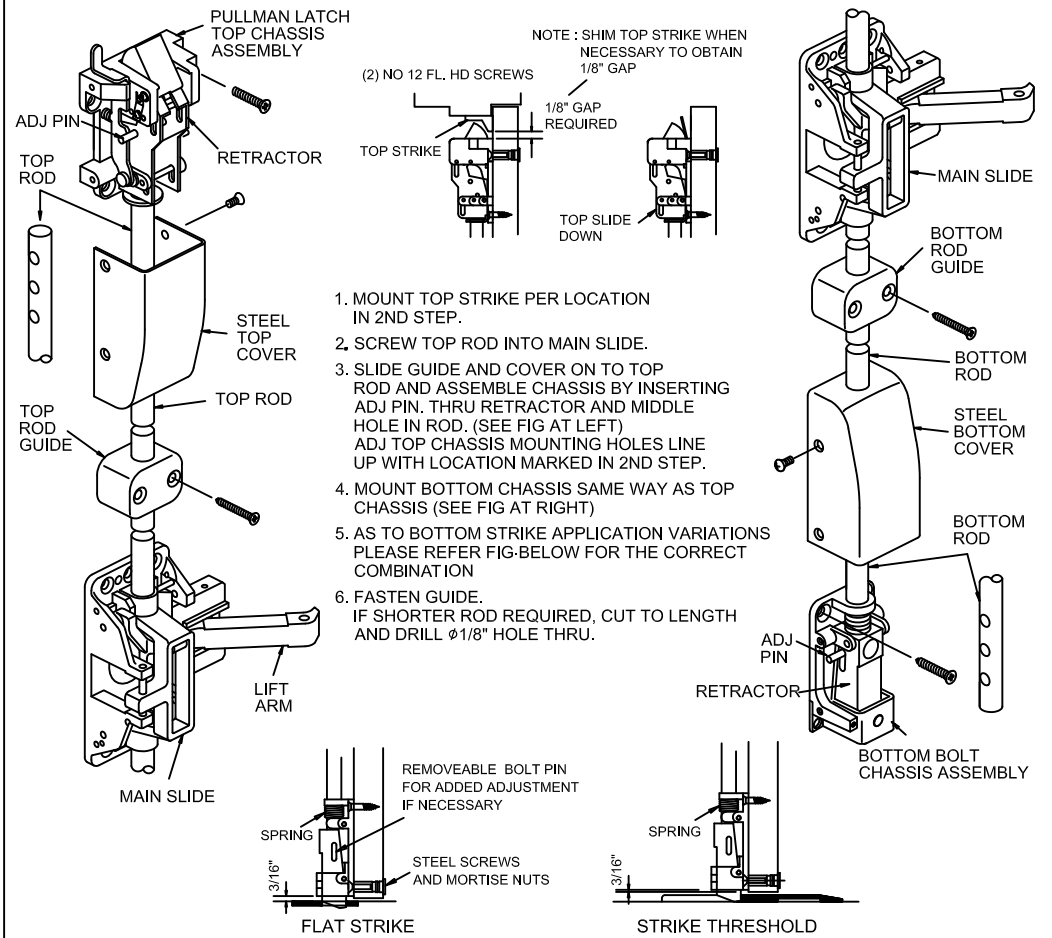
TAPE TEMPLATE ON INSIDE OF DOOR ALONG REFERENCE LINE SPOT AND DRILL HOLE.



3. APPLY TRIM+CHASSIS

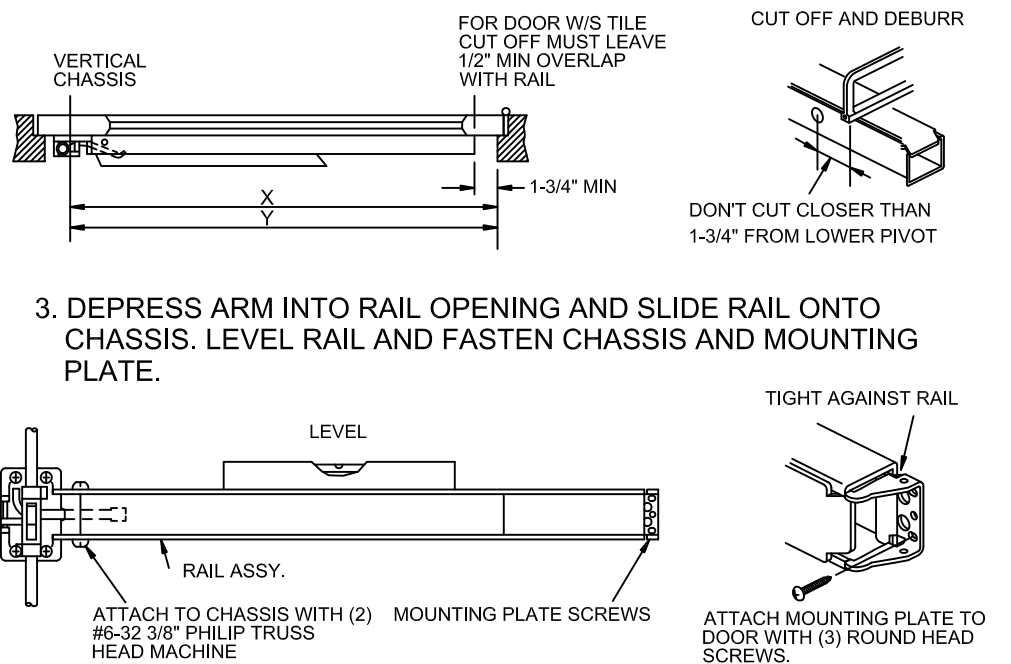


4. ATTACH TOP AND BOTTOM CHASSIS



5. APPLY RAIL ASSEMBLY

1. CHECK THE SIZE OF DEVICE, IF CUTTING TO LENGTH IS REQUIRED.
 2. DETERMINE CUT OFF LENGTH "X" BY SUBTRACTING 1-3/4" FROM "Y". MARK CUT OFF POINT ON MOUNTING RAIL.



6. APPLY COVER

CHECK FINAL OPERATION OF DEVICE AND ADJUST THEN FASTEN COVERS

